

**LOCINOX**

Let's make it better together



# PRODUCT CATALOGUE

► Discover our innovations on page 6 - 7



Gate Closers



Access Control



Gate Hardware

## Better together,

By listening to the specific needs of gate manufacturers, our founder Joseph Talpe developed the first mechanical standard lock for outdoor gate use. More than 30 years later, our business still consists of listening to what is needed in the market and looking for ways to offer added value in a traditional sector. To come up with solutions, we have an extensive research & development team that consistently looks for innovative ways to aid our partners. This leads to dozens of new products each year.

This catalogue is a summary of what we have to offer. In our gate hardware, you will find some of our long-lasting veterans, as this is the bread and butter we've been working on since the early 90s. Every gate needs the basics: locks, keeps, hinges and handles. We're confident you will find the hardware you need in our modular range.

About a decade after our first standard lock, we opened the door into the gate closer segment of our market. Based on a mechanical spring with a patented oil damping, our gate closer range now includes options to update older gates but also embed gate closers for new projects. The invisible Interio, built into the gate profile, is a fine example. We have developed new accessories to increase your mounting possibilities.

Without overlooking these basics, we now have a dedicated team in our R&D department for automation and electronics. After recent launches such as the battery powered code lock Valentino and the motorized electrical drop bolt Electradrop, we are proud to confirm that the Venus – which combines our growing knowledge in gate closers and automation – will be available in the course of 2023. The motorized gate operator is one of most important new features in this new catalogue.

Our service doesn't end after delivering this catalogue to you. Our sales and customer service teams are ready to answer any question or provide any additional product information you might need.

Let's make it better together,  
The Locinox Team





# Index

Concepts	<b>4</b>
Latest innovations	<b>6</b>
Gate closers	<b>9</b>
• Tiger	<b>13</b>
• Mammoth-180	<b>14</b>
• Mammoth-HD	<b>15</b>
• Interio	<b>16</b>
• Samson-2	<b>18</b>
• Panther	<b>19</b>
• Lion	<b>20</b>
• Rhino	<b>21</b>
• Verticlose-2	<b>22</b>
• Verticlose-2 Wall	<b>23</b>
• Caracal	<b>24</b>
• Serval	<b>25</b>
Automation & Electronics	<b>27</b>
• Venus	<b>28</b>
• Keypads	<b>30</b>
• Electromagnetic locks	<b>32</b>
• Electrical accessories	<b>44</b>
• Power supplies	<b>47</b>
Turnstiles	<b>51</b>
Locks	<b>57</b>
Keeps	<b>95</b>
Hinges	<b>113</b>
Drop bolts & Ground catchers	<b>147</b>
Gate catchers	<b>157</b>
Tools	<b>161</b>
Accessories	<b>169</b>
Marketing tools	<b>203</b>



Gate Closers



Access Control



Gate Hardware

# Why Locinox



## **INNOVATION**

A motivated team of engineers and prototypers work hard on a daily basis to further expand the Locinox range with new products.



## **WEATHERPROOF**

With stainless steel and non-ferro metals as raw materials for its products, combined with the best surface treatment, our products maintain high standards and have a longer life cycle than cheaper alternatives.



## **INDUSTRIAL QUALITY**

Locinox products are tested extensively by our R&D Department in the most extreme circumstances, up to a minimum of 500.000 movements before bringing it to the market.



## **EASE OF INSTALLATION**

Our products guarantee fast installation and very solid fixation. Thanks to the special tools, the patented Quick-Fix and the Plug & Play design - installation happens in a blink of an eye.

## **LOC E SHOP**

order when it suits you

We continue to invest in our services and have turned our Loc-E-Shop into our most popular internal sales colleague, working 24/7 and processing nearly 1.000 orders every month.

The Loc-E-Shop allows you to take full control of your orders at any time, wherever you are.



## **MODULARITY**

The products in our range are designed for maximum interchangeability. A large number of combinations is possible to assure maximum flexibility according to your clients' needs. Even after installation, our products can be easily adjusted and/or replaced.



## **AT YOUR SERVICE**

Our sales team is easy to reach and promptly replies by phone or e-mail in 7 supported languages. They will supply the correct product information and are happy to help you in choosing the right solution for the given situation.



## **CUSTOM ASSEMBLY & PACKAGING**

The modularity of our products allows you to choose from many different configurations. Locinox will assemble every possible configuration upon request. Moreover, our logistics guarantee a shipment of our catalogue products within 24h after your order.



## **5 YEARS OF PREMIUM WARRANTY**

Enjoy 5 years of worry-free use on all our mechanical products. Go to [locinox.com/warranty](http://locinox.com/warranty) and activate your additional 2 years warranty to enjoy 5 years of peace of mind. Because we care.

# Roadshow Van



Step into our ROADSHOW VAN and experience our complete range of outdoor access control solutions first-hand. Heavily relying on innovation, quality, durability and ease-of-installation, we are convinced our ROADSHOW VAN is a great opportunity to discover what Locinox is all about. For both professionals and end users.

The state-of-the-art mobile showroom will definitively impress at first sight, featuring a delicious blend of our latest innovations and classics. The ROADSHOW VAN is on the road continuously. Make sure to take a look at the tour dates on our website - we are definitively coming your way soon.



21.183 km driven

13 countries visited

+900 friendly faces

Many more visits to come

BOOK THE  
ROADSHOW VAN HERE



# Concepts



## RESIDENTIAL

**ELECTRADROP R** Motorized electrical drop bolt with integrated emergency batteries (p.149) | **TRICONE** Design led lighting for gates (IP54) (p.45)  
**SLIMSTONE-2** Sturdy, weather resistant keypad (IP68) (p.31) | **B-SAFE** Stainless steel safety cable for gates up to 500kg (p.198)  
**NOSEHINGE-I** Compact, 2-way 90° hinge interchangeable with Interio gate closer (p.137) | **SABO** Bolt-on off-centered ground stop (p.154)  
**DVK-HD** Guiding cable (p.46)



## SECURITY

**VERTICLOSE-2** (p.22)  
 Powerful all-round hydraulic gate closer for 90° and 180° hinges

**SLIMSTONE-2** (p.31)  
 Sturdy, frost-free and weather resistant keypad with 2 integrated relays

**B-SAFE** (p.198)  
 Stainless steel safety cable for gates up to 500kg

**B-MAG** (p.33)  
 Integrated magnet lock for swing gates

**N-LINE B-MAG** (p.35)  
 Aluminium finishing profile for swing gates to combine with magunit

**GBMU4D20** (p.120)  
 4-way adjustable 180° hinge

**3006PULL** (p.174)  
 Aluminium powder coated handle set



## SCHOOL

**PANICBAR** (p.176)  
Panicbar set

**MAMMOTH 180°** (p.14)  
Hydraulic 180° gate closer and hinge in one

**DINO** (p.136)  
180° double bearing hinge

**TRICONE** (p.45)  
Design led lighting for gates (IP54)

**B-SAFE** (p.198)  
Stainless steel safety cable for gates up to 500kg



## GARDEN

**VALENTINO** (p.65)  
Surface mounted battery powered code lock

**SAKL** (p.99)  
Adjustable keep out of stainless steel

**EXCENTRO** (p.115)  
180° hinge set for ascending slopes

**RHINO** (p.21)  
Aesthetical 180° gate closer with direct connection to the hinge

**B-SAFE** (p.198)  
Stainless steel safety cable for gates up to 500kg

# Latest innovations



## **VENUS (Coming soon)**

Motorized gate closer for pedestrian swing gates.

Discover more on p. 28



## **ELECTRADROP-R**

Motorized electrical drop bolt with integrated emergency batteries.

Discover more on p. 149



## **BAR - A / I (New)**

Fixed handle with straight or angled mounting brackets. Can be used single or double sided.

Discover more on p. 173

## ***"Smart solutions, better fences"***

Protecting what matters. Everyone wants to be safe, right? At home, on their job, at school, out when sporting, etc... Locinox provides that degree of security and comfort. As a Belgium based trendsetter, manufacturer and reputed market leader, we take care of your peace of mind.

Thanks to continuous innovation, thorough quality checks and efficient installation methods, Locinox is the right partner for your gate and fencing projects. Every product is designed and engineered with eye for detail, extreme weatherproofness and added value. All to guarantee an improved durability and lots of modularity and flexibility. Our products are determined to be your partner for the long run and ensure your project to stand out, for a very long time.

With every innovation we're launching; quality, durability and user friendliness are key. We rely on the best components for the best possible solutions. Our test results don't lie - Locinox products stand the test of time!



**CARACAL (New)**

Hydraulic 180° gate closer and hinge.

Discover more on p. 24



**SFKU**

Insert keep for installation in lock pattern.

Discover more on p. 108



**PANICBAR (Coming soon)**

Complete set to add a rim style emergency exit device to any gate.

Discover more on p. 176



**VALENTINO (Coming soon)**

Surface mounted battery powered electronic code lock.

Discover more on p. 65





## GATE CLOSERS

Hydraulic gate closers will transform any gate into a self-closing solution. Comfort, safety and peace of mind are guaranteed thanks to pure hydraulic power. High quality components ensure Locinox closers to be 100% weatherproof, maintenance-free and extremely durable. A constant and consistent functioning is guaranteed during an ice cold winter or a sweltering summer. The unique concept ensures an easy and efficient fixation thanks to the patented Quick-Fix system. Moreover, closing speed and final snap can be adjusted very precisely and 100% to your customers' wishes.

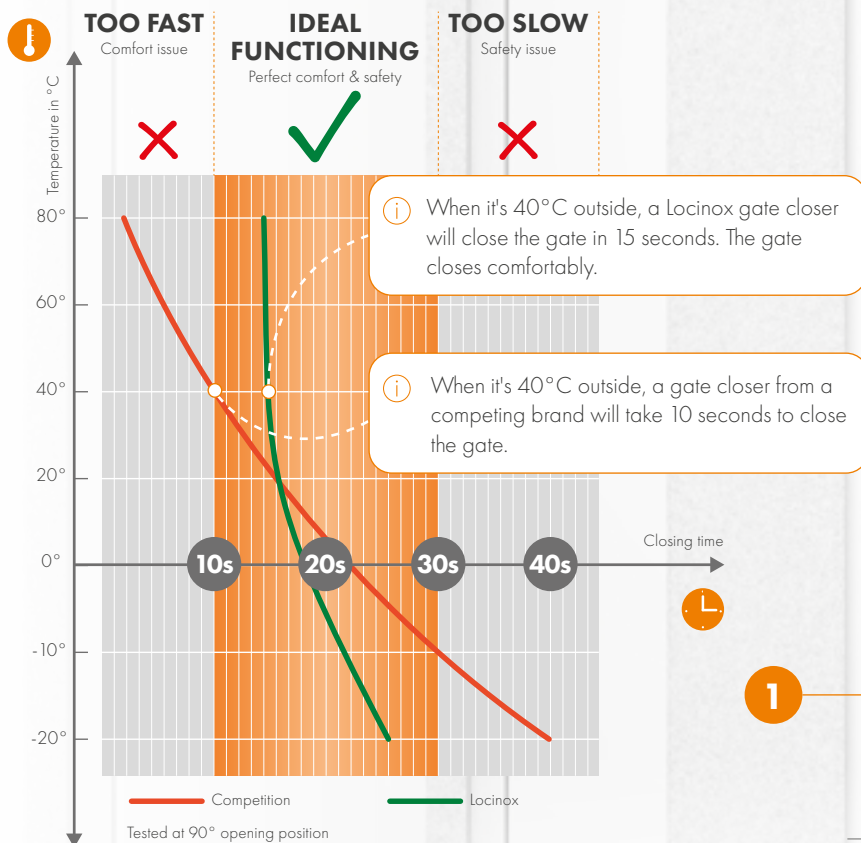


# CUTTING EDGE SELF-CLOSING TECHNOLOGY

## 1 A CONSISTENT CLOSING SPEED FROM FREEZING WINTER TO SIZZLING SUMMER

If your gate closes too slow, children or pets could sneak through. If your gate closes too fast, it might become a problem for wheelchair users. A loud slamming gate is not only annoying for you or your neighbours, it's also harmful for your gate.

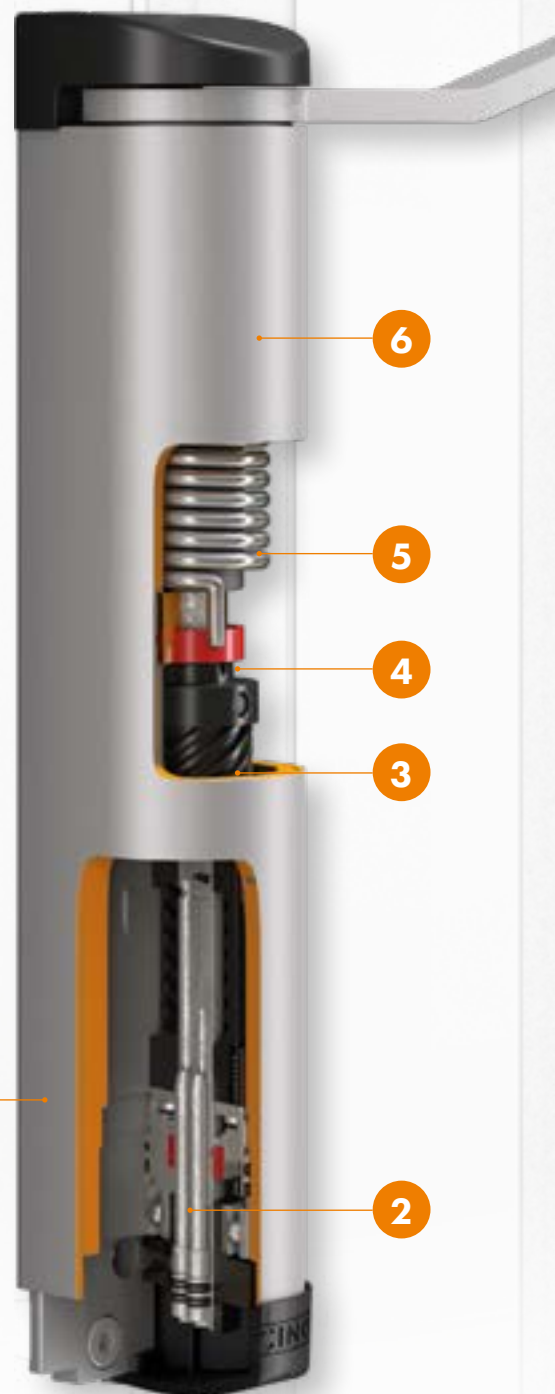
The Active Thermal System, our own cutting-edge development, guarantees a constant closing speed, regardless of the outside temperature.



## 2 ADJUST SPEED AND FINAL SNAP PRECISELY

Some customers prefer their gate to close slowly, while others want it to go a little faster. No problem! All of our hydraulic gate closers can easily be adjusted in a matter of seconds to the wishes of your customers.

The final snap allows the gate to speed up a little at the end: this way, you are reassured the gate is properly closed. The final snap can easily be adjusted to any need.





### 3 FUNCTIONS COMFORTABLY

The in-house developed High-Helix screws guarantee a consistent functionality and ensure a comfortable opening speed for the elderly or disabled.

### 4 DUST- & WATERPROOF

Our gate closers are equipped with rotary seals. These seals protect the gate closers from dirt and dust particles intruding the mechanism, assuring your customers of worry-free functioning for many years to come.

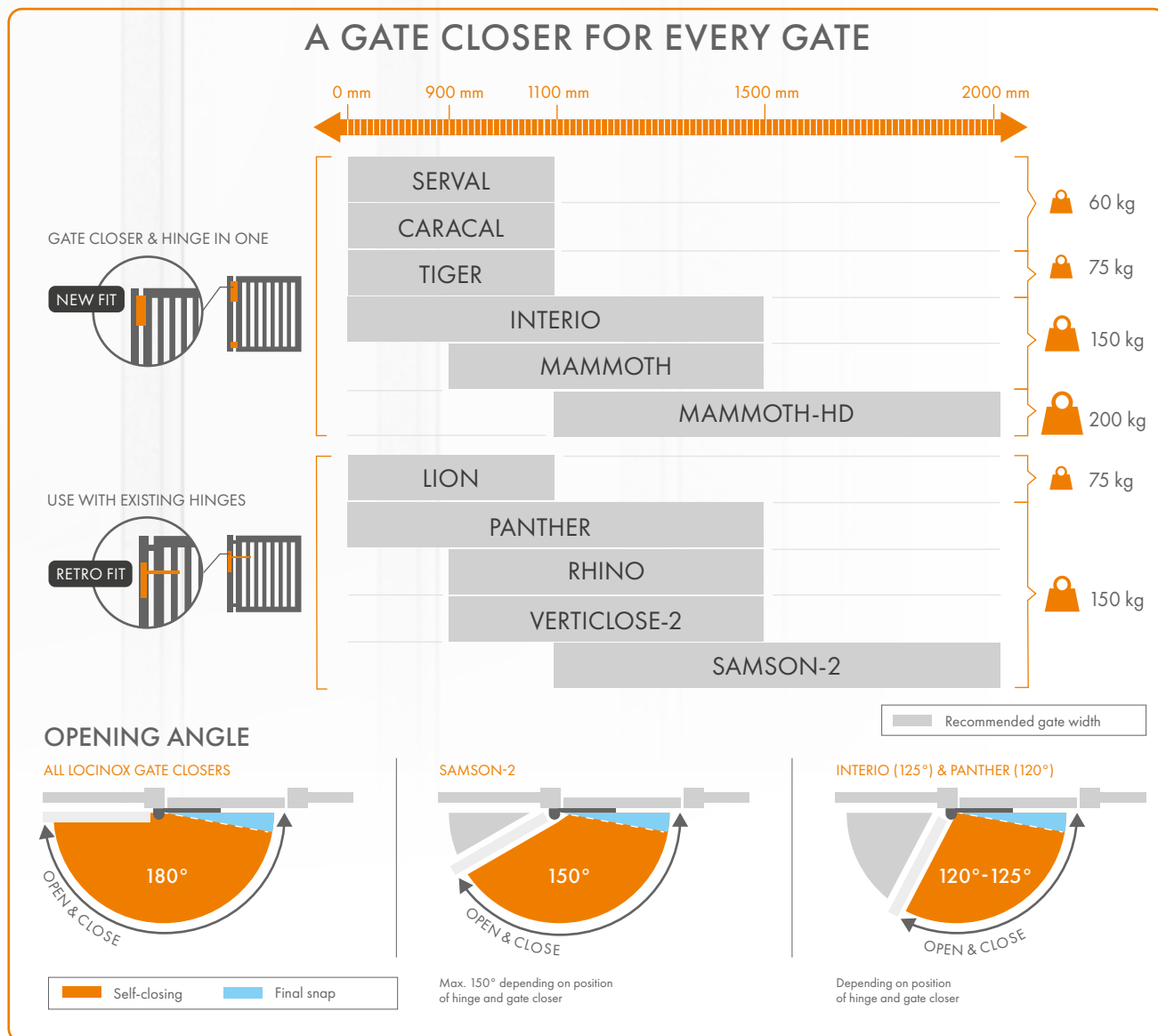
### 5 CLOSES EVERY TIME

The powerful torsion spring guarantees the necessary closing force. Therefore, your gate will always close: unaffected by strong winds, the width of your gate wing or the outside temperature. You can rest assured.

### 6 100% PROTECTED

The aluminium anodized housing guarantees full protection against any weather conditions. The housing is windproof, frost-free and dust- & waterproof, allowing your gate closer to function perfectly.

## A GATE CLOSER FOR EVERY GATE



Find your gate closer thanks to our [handy gate closer configurator](http://www.locinox.com) on [www.locinox.com](http://www.locinox.com)

  
**A SILENT  
OPENING &  
CLOSING**

  
**SAFE  
FOR  
WHEELCHAIR  
USERS**

EXCEPTIONAL  
PRECISE ADJUSTMENT OF  
SPEED & FINAL SNAP  
FOR YOUR  
**COMFORT**



  
**VANDAL  
PROOF**



# 10 FEATURES SETTING LOCINOX GATE CLOSERS APART!



  
**CHILD  
& PET  
FRIENDLY**

**EFFICIENT  
INSTALLATION  
FAST & EASY**




  
**DURABLE  
TESTED FOR  
500 000  
MOVEMENTS**

  
**3 YEAR  
WARRANTY**

  
**100%  
HYDRAULIC  
GREEN &  
MAINTENANCE  
FREE**

EXTREME  
**WEATHERPROOF**  
CONSTANT CLOSING SPEED  
**-30° ▶ +70°C**



## Compact hinge and gate closer in one

TIGER (Patented)

180° self-closing hydraulic hinge with precise adjustments on speed and final snap. The aluminium powder coated housing and unique high-tech components allow the Tiger to function perfectly in any weather situation. We highly recommend the Tigerdrill for an even more efficient installation. The Puma hinge is included.



### Color options

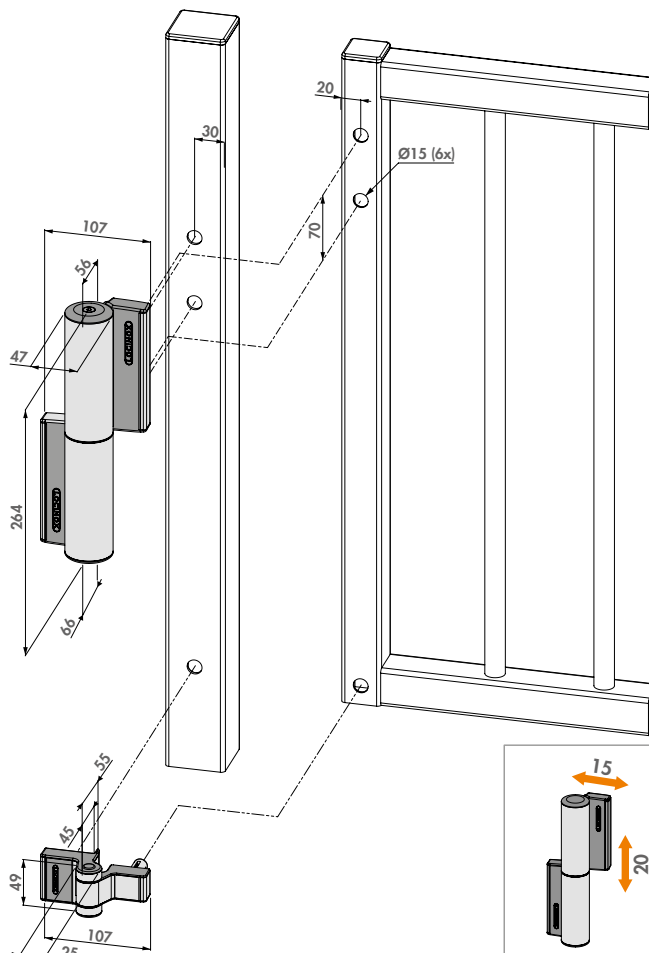
ZILV 9005

### Specifications

- ✔ Automatic 180° closure with adjustable closing speed and final snap
- ✔ Aesthetic design
- ✔ Powder coated aluminium housing
- ✔ Closing speed unaffected by humidity and temperature changes
- ✔ For left and right turning gates
- ✔ Fast and easy fixing with Quick-Fix
- ✔ 15 mm horizontal adjustability
- ✔ 20 mm vertical adjustability
- ✔ Easy to open: Max. 14 Nm

### Order code

**TIGER** Hydraulic gate closer and Puma 180° hinge for gates up to 75 kg



### Recommended products



**TIGERDRILL**  
P. 164



**CLB-TIGER**  
P. 190



## Hydraulic 180° gate closer and hinge in one

MAMMOTH-180 (Patented)

Elegant and powerful self-closing hinge for 180° gate situations. Mammoth is perfectly fit for gates up to 150 kg and 1500 mm wide. It is equipped with a double bearing for exceptional functionality. The Active Thermal System guarantees a constant closing speed, unaffected by weather conditions. The Dino hinge is included.



### Color options

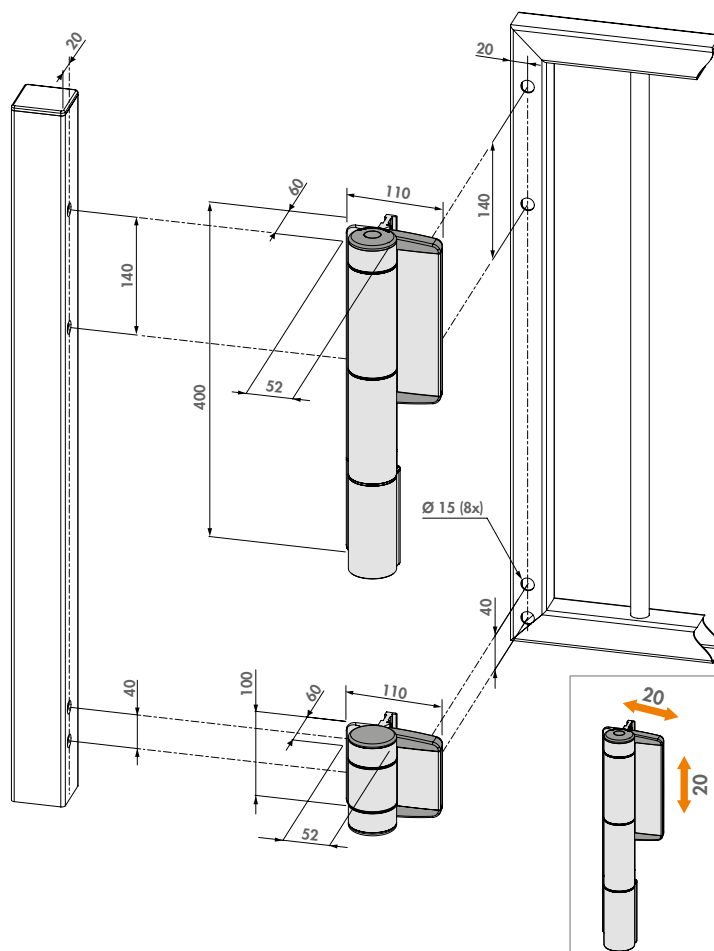
ZILV 9005

### Specifications

- ✓ Self-closing hinge with patented hydraulic damping
- ✓ Aesthetic design
- ✓ Powder coated aluminium housing
- ✓ Closing speed unaffected by temperature changes
- ✓ Easy to open: Max. 16 Nm
- ✓ Vandal-proof
- ✓ For left and right opening gates
- ✓ Easy mounting with Quick-Fix
- ✓ 2-dimensionally adjustable (2 x 20 mm)

### Order code

**MAMMOTH-180** Stylish hydraulic gate closer for heavy gates



### Recommended products



CLB-MAMMOTH  
P. 190

## Highly powerful hydraulic 180° gate closer and hinge-in-one

MAMMOTH-HD (Patented)

This heavy-duty gate closer and hinge-in-one is fit to close the heaviest gates. The hydraulically damped Mammoth in combination with the powerful self-closing Raptor hinge is the perfect solution to close gates up to 200 kg and 2000 mm wide. Both hinges are equipped with double bearings which guarantee an extremely smooth functioning. The Active Thermal System guarantees a constant closing speed, unaffected by weather conditions. The Raptor hinge is included.



### Color options

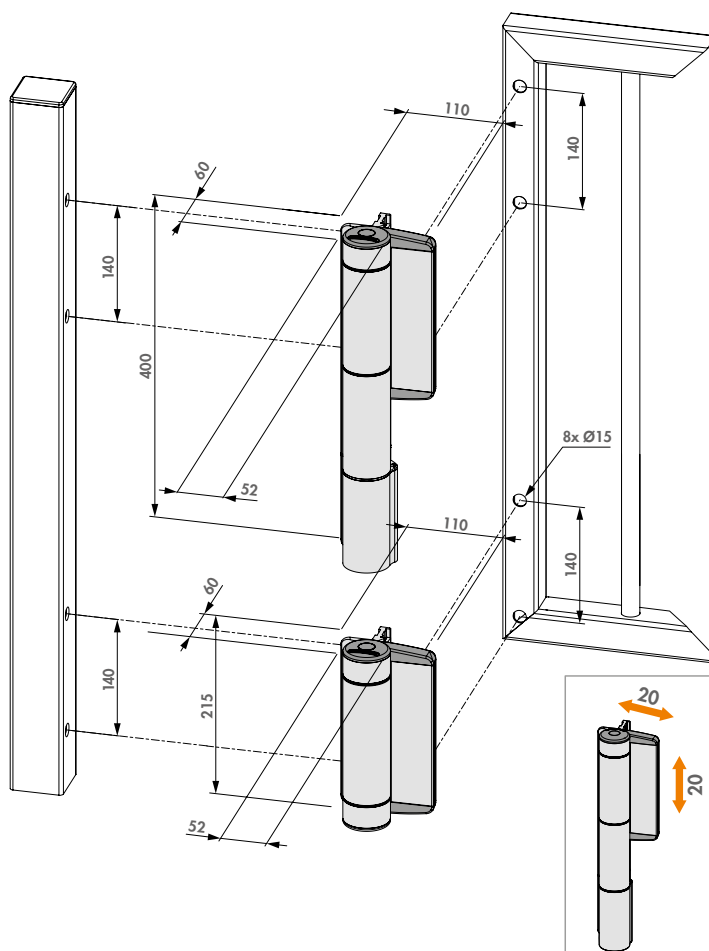
ZILV 9005

### Specifications

- ✔ 180° hydraulic gate closer with adjustable speed and final snap
- ✔ Aesthetic design
- ✔ Powder coated aluminium housing
- ✔ Closing speed unaffected by temperature changes
- ✔ Easy to open: Max. 32 Nm
- ✔ Vandal-proof
- ✔ For left & right turning gates
- ✔ Easy mounting with Quick-Fix

### Order code

**MAMMOTH-HD** Highly powerful hydraulic 180° gate closer and hinge-in-one, for gates up to 200 kg



### Recommended products



CLB-MAMMOTH  
P. 190

## Invisible, built-in hydraulic gate closer

INTERIO (Patented)

The invisible Interio gate closer, with matching hinge set, is completely built into the gate frame. This highly aesthetic solution opens and closes the gate comfortably. The integrated pre-tension ensures an efficient and flawless installation where speed and final snap can be adjusted accurately to fit any need. A constant closing speed is guaranteed in all weather conditions, without any adjustments needed. Interio is perfectly suited for both left and right turning gates.

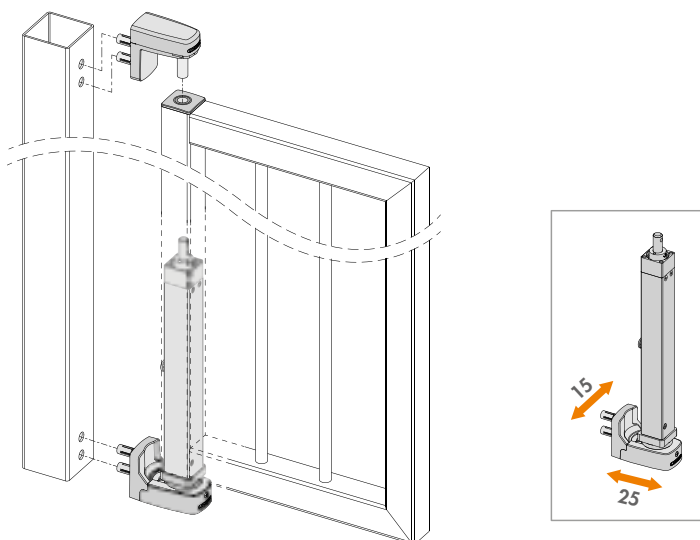


### Color options

**9005**

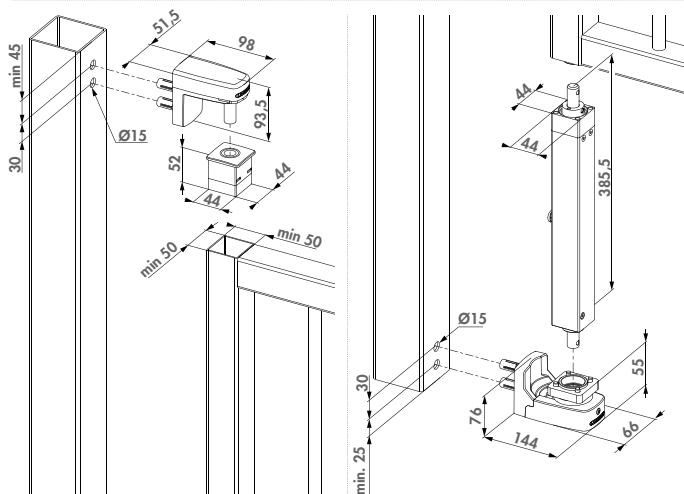
### Specifications

- ✔ Self-closing up to 125° (depending on the situation) with adjustable closing speed and final snap
- ✔ Constant closing speed in hot or cold weather
- ✔ Vandal-proof
- ✔ For left & right turning gates
- ✔ Available for 50 and 60 mm profiles with max 2 mm thickness
- ✔ Optional sets available for ground and wall installation
- ✔ Recommended with Gatestop



### Order code

**INTERIO** Hydraulic built-in gate closer for gates up to 150 kg



### Recommended products



**INTERIO-GROUND-9005**  
P. 17

**INTERIO-WALL-9005**  
P. 17

**NOSEHINGE-I**  
P. 137

## Wall fixation set for Interio gate closer

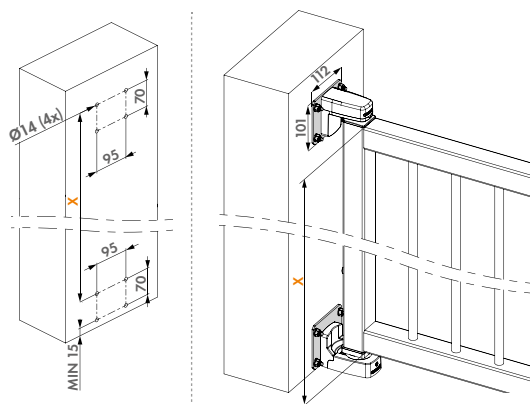
INTERIO-WALL-9005

Optional set to fix the Interio gate closer directly on the wall. This set consists of two wall plates made of hot-dip galvanized steel. All fixations are included.



### Specifications

- ✔ Wall plate made of hot-dip galvanized metal with RAL9005 powder coating
- ✔ Distance between gate and wall: min. 29 mm
- ✔ Depth adjustment: 15 mm
- ✔ Height adjustment: 10 mm
- ✔ Minimal opening under the gate: 15 mm
- ✔ Only compatible with Interio gate closer



### Compatible gate closer



### Order code

**INTERIO-WALL-9005** Optional wall fixation set, only compatible with Interio gate closer

**INTERIO**  
P. 16

## Ground fixation set for Interio gate closer

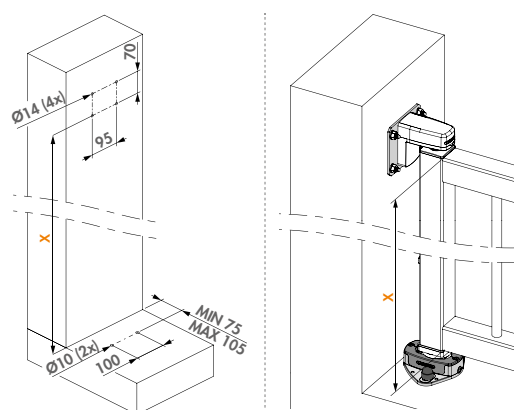
INTERIO-GROUND-9005

Optional set to fix the Interio gate closer directly on the ground. This set consists of a ground hinge and a wall panel. Including all fixations.



### Specifications

- ✔ Wall plate made of hot-dip galvanized metal with RAL9005 powder coating
- ✔ Bottom hinge fixation block made of aluminium
- ✔ Anchor bolts included
- ✔ Distance between gate and wall: min. 29 mm - max. 54 mm
- ✔ Depth adjustment: 15 mm
- ✔ Height adjustment: 10 mm
- ✔ Minimal opening under the gate: 22,5 mm
- ✔ Only compatible with Interio gate closer



### Compatible gate closer



### Order code

**INTERIO-GROUND-9005** Optional ground fixation set, only compatible with Interio gate closer

**INTERIO**  
P. 16

## Hydraulic gate closer for large gates

SAMSON-2 (Patented)



Simple installation and versatility make it the perfect fit for larger gates. Samson-2 is a polyvalent hydraulic gate closer developed with high quality components for an exceptional long life span. Temperature changes do not affect the smooth and constant functionality. The set of mounting brackets that are delivered with the closer make Samson-2 fit for any gate.



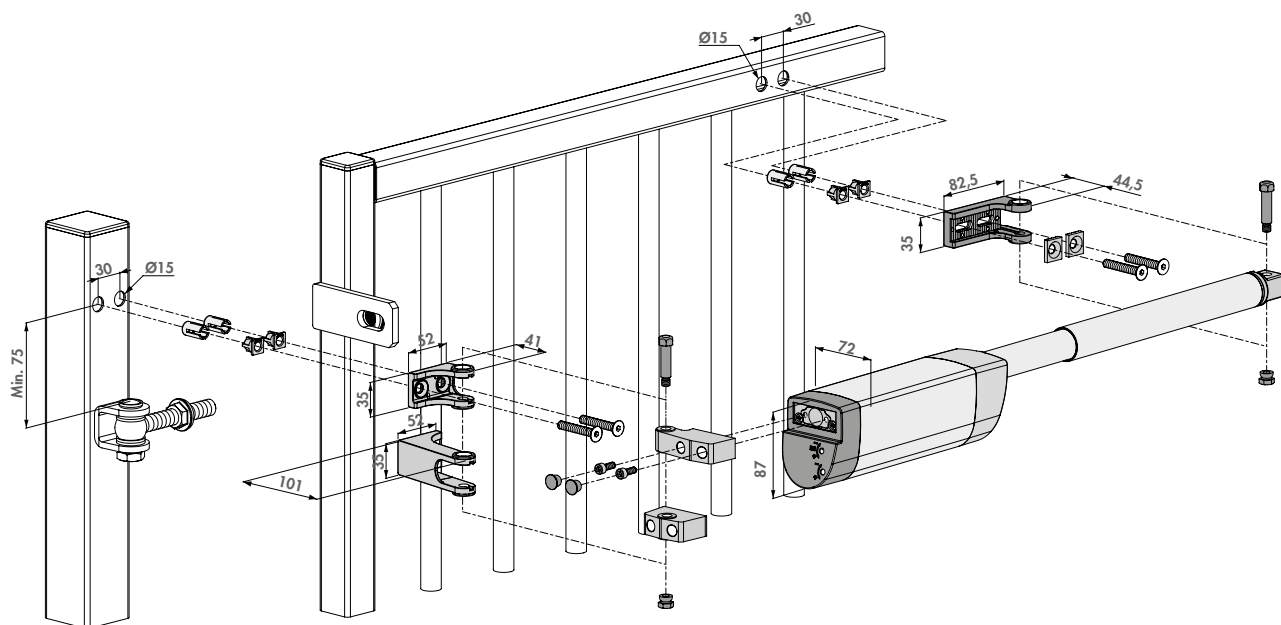
### Color options

ZILV



### Specifications

- ✓ Opening angle up to 150° depending on the situation
- ✓ Specially developed for outdoor use: industrial quality
- ✓ Scratch resistant and corrosion free anodized aluminium housing
- ✓ Closing speed unaffected by temperature changes
- ✓ Fast and easy fixing with Quick-Fix
- ✓ For left and right turning gates
- ✓ Easy to open: Max. 25 Nm



### Recommended products



### Order code

**SAMSON-2** Hydraulic gate closer for gates up to 150 kg

SB-  
P. 187

## All-round hydraulic gate closer for wall and post mounting

PANTHER

Versatile, easy-to-install and compact gate closer designed specially for wall and post situations. Panther is installed above the gate or between two pillars and can precisely be adjusted to anyone's wishes. The guaranteed closing force over the full 120° opening angle results in a worry free use, regardless of the weather conditions. The aesthetic and scratch free anodized housing ensures a very long life cycle.



### Color options

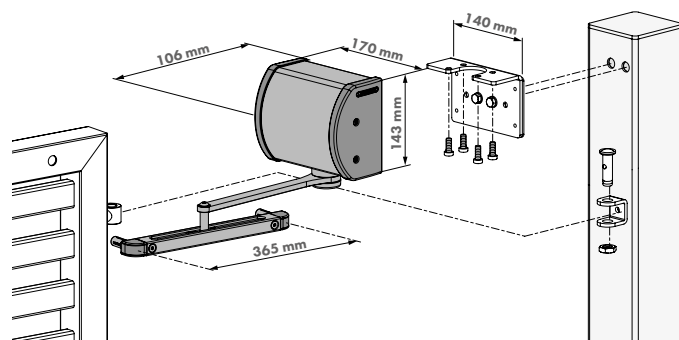
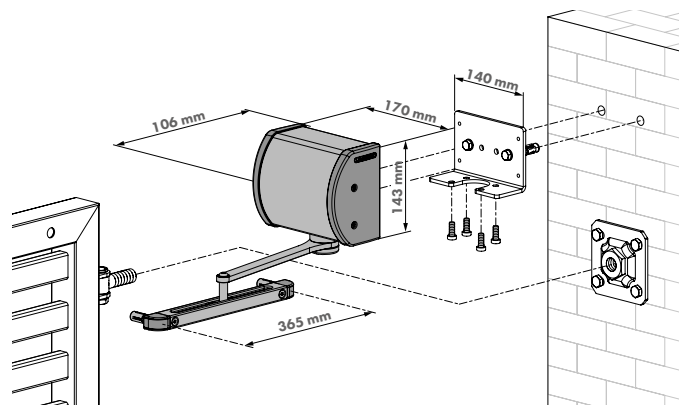
9005

### Specifications

- ✔ Self-closing gate closer with adjustable speed and final snap
- ✔ Closing speed unaffected by temperature changes
- ✔ Aesthetic & compact design
- ✔ Scratch resistant and corrosion free anodized aluminium housing
- ✔ Designed to be installed above the gate
- ✔ Integrated pre-tension for extremely smooth installation
- ✔ Closing force over the full 120° opening angle
- ✔ Recommended with Gatestop

### Order code

**PANTHER** All-round hydraulic gate closer for wall and post mounting, for gates up to 150 kg



### Recommended products



1034A2-  
P. 123

1034ROLL-HDG-  
P. 123

RAIL-FIT  
P. 191

## Compact and polyvalent gate closer, fits every gate situation

LION (Patented)

The attractive and compact Lion gate closer is unique in its kind. This hydraulic all-rounder is fit for every possible gate situation. Moreover, both 90° and 180° railsets are included in the package, allowing for more flexibility on site. The anodized aluminium housing combines a handsome look with a durable and spotless functioning for many years. Choose the Lion-VTC Drill for an even faster installation.

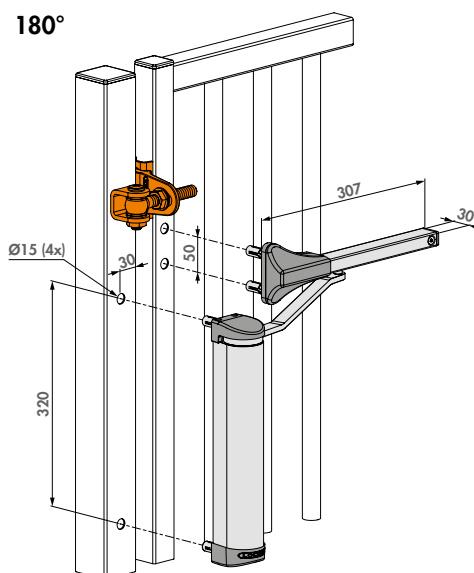
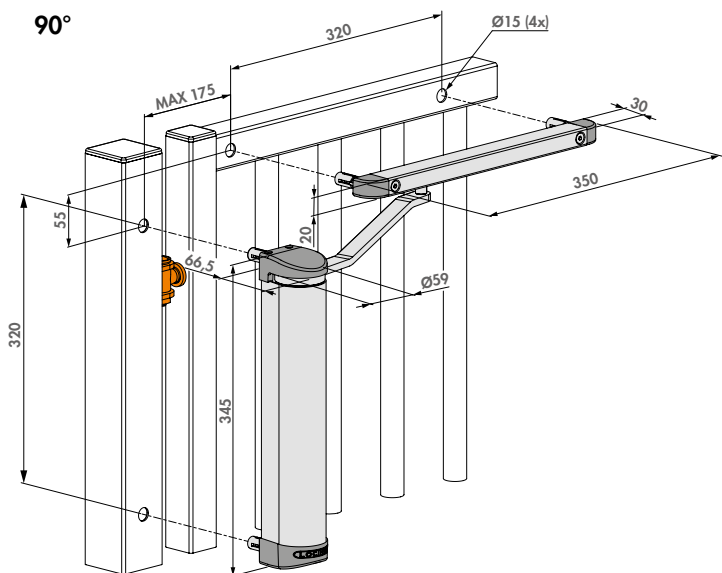


### Color options

ZILV 9005

### Specifications

- ✓ Automatic 180° - closing with adjustable closing speed and final snap
- ✓ Railset included for 90° and 180° situations
- ✓ Scratch resistant and corrosion free anodized aluminium housing
- ✓ Compact & aesthetic design
- ✓ Closing speed unaffected by temperature changes
- ✓ For left & right turning gates
- ✓ Integrated pre-tension for extremely smooth installation
- ✓ Easy to open: Max. 16 Nm



### Recommended products



### Order code

LION Compact hydraulic gate closer for any situation

LION-VTC-DRILL  
P. 165

SHELL-LION-  
P. 188

3018LION  
P. 188

RAIL-FIT  
P. 191



## Aesthetical 180° gate closer with direct connection to the hinge RHINO (Patented)

Transform your 180° hinge into a self-closing solution thanks to our Rhino hydraulic gate closer. The direct connection to the Locinox hinge guarantees the discreet look and efficient transmission of the energy required to close the gate perfectly. The anodized aluminium housing ensures a durable and smooth operation in any weather. The Rhinodrill jig guarantees an extremely efficient installation.



### Color options

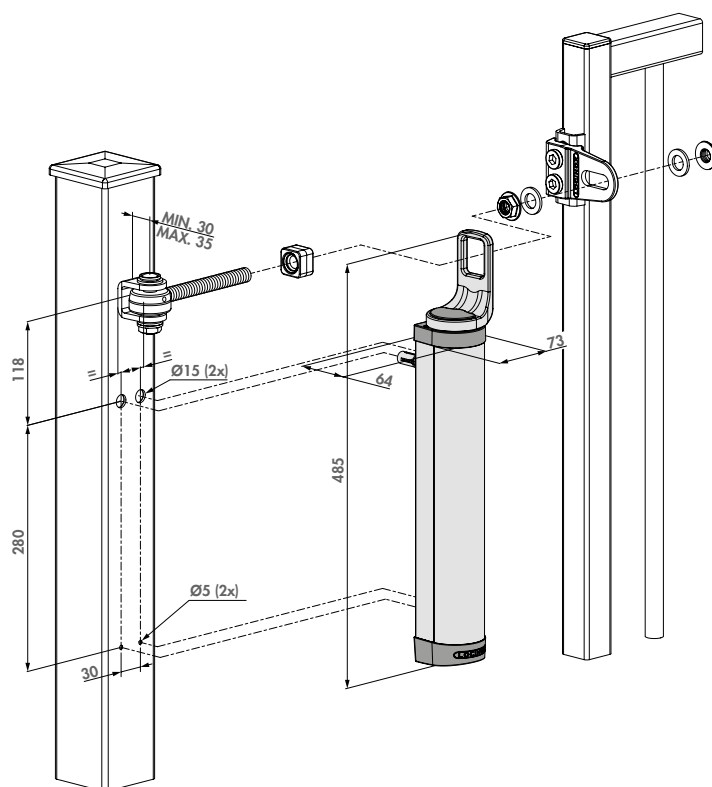
ZILV 9005

### Specifications

- ✔ 180° hydraulic gate closer with adjustable speed and final snap
- ✔ Closing speed unaffected by temperature changes
- ✔ Scratch resistant and corrosion free anodized aluminium housing
- ✔ Direct assembly on 180° hinges M16 & M20 (GBMU & GBMU4D)
- ✔ Bearing eyebolt is recommended (1034ROLL-M16)
- ✔ Integrated pre-tension for extremely smooth installation
- ✔ Easy to open: Max. 20 Nm

### Order code

**RHINO** Hydraulic gate closer for gates up to 150 kg



### Recommended products



**RHINODRILL**  
P. 164



**1034ROLL-HDG-**  
P. 123



**SHELL-RHINO-VTC-**  
P. 189



## Powerful all-round hydraulic gate closer for 90° and 180° hinges

VERTICLOSE-2 (Patented)

The Verticlose-2 gate closer is top-of-the-range within the Verticlose product series. It is extremely multifunctional and possesses excellent features, which makes Verticlose-2 a perfect fit for both 90° and 180° hinge situations. The integrated pre-tension and continuous adjustability of speed and final snap, combined with our Quick-Fix mounting system, guarantee a quick and efficient installation. The aesthetic anodized aluminium gate closer with high-tech internal components ensures an exceptionally long life span. We highly recommend the Lion-VTC Drill for an even more efficient installation.

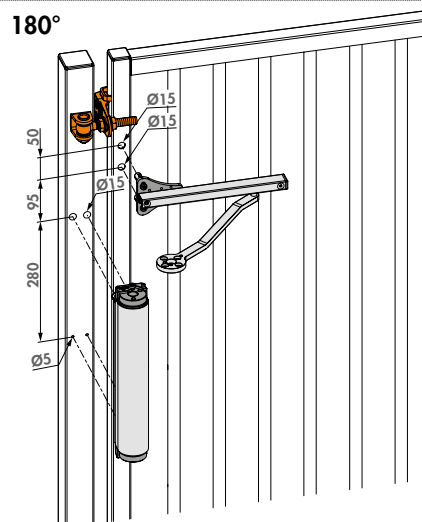
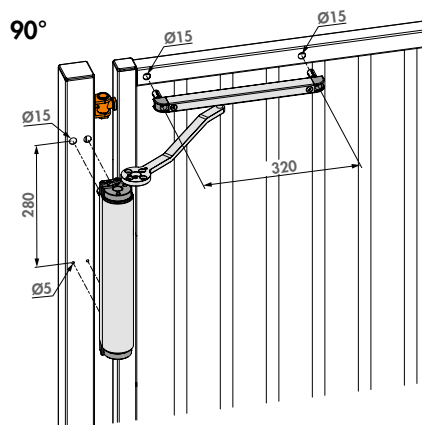


### Color options

ZILV 9005

### Specifications

- ✓ Micro adjustment of speed and final snap
- ✓ Railset included for 90° and 180° situations
- ✓ Scratch resistant and corrosion free anodized aluminium housing
- ✓ Aesthetic & compact design
- ✓ Integrated pretension for extra smooth installation
- ✓ Closing force over the full 180° opening angle
- ✓ Firmly fixed thanks to patented Quick-Fix system
- ✓ Easy to open: Max. 25 Nm



### Order code

**VERTICLOSE-2** Powerful and all-round hydraulic gate closer for 90° and 180° hinges



### Recommended products



LION-VTC-DRILL  
P. 165



SHELL-RHINO-VTC-  
P. 189



RAIL-FIT  
P. 191

## Powerful and all-round hydraulic gate closer for wall mounting

VERTICLOSE-2-WALL (Patented)

The Verticlose-2 Wall gate closer has been specifically designed for wall mounting where the gate closer itself is positioned 90° in relation to the gate. The specially designed arm turns around the wall or post, ensuring a large opening angle. The aesthetic anodized aluminium gate closer with high-tech internal components ensures an exceptionally long life span.

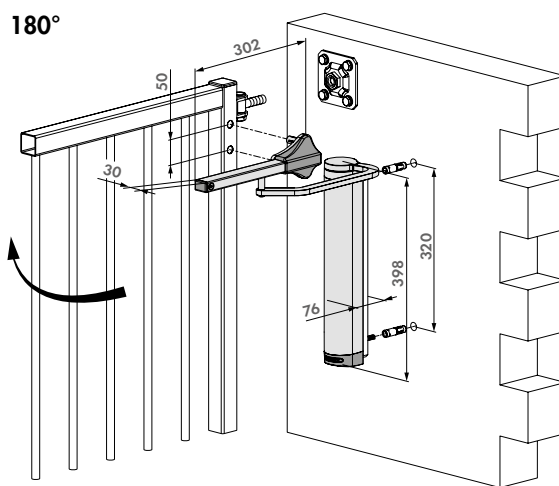
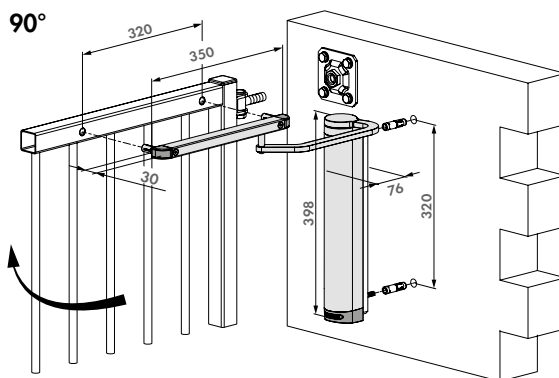


### Color options

ZILV

### Specifications

- ✔ Self-closing gate closer with adjustable speed and final snap
- ✔ Specially designed arm for wall mounting while guaranteeing a big opening angle
- ✔ Scratch resistant and corrosion free anodized aluminium housing
- ✔ Aesthetic & compact design
- ✔ Integrated pretension for extra smooth installation
- ✔ Closing force over the full 180° opening angle
- ✔ Firmly fixed thanks to patented Quick-Fix system
- ✔ Easy to open: Max. 25 Nm



### Order code

**VERTICLOSE-2-WALL** Powerful and all-round hydraulic gate closer for wall mounting



### Recommended products



LION-VTC-DRILL  
P. 165



SHELL-RHINO-VTC-  
P. 189



RAIL-FIT  
P. 191

**NEW** Hydraulic 180° gate closer and hinge

CARACAL (Patented)



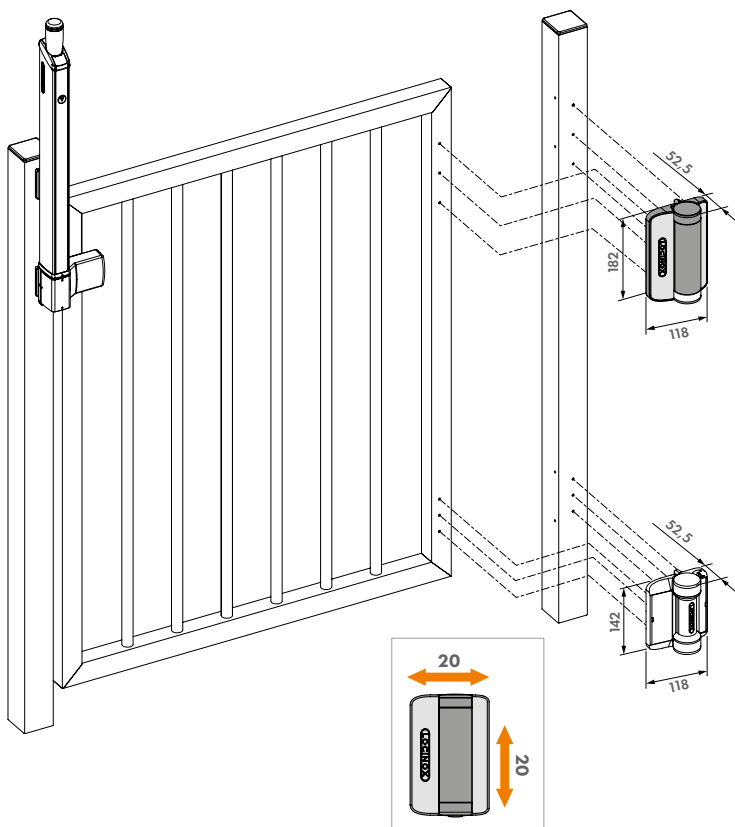
Aesthetic 180° gate closer with adjustable closing speed. The glassfibre reinforced PA housing protects the high-tech internal components, allowing for a perfect functioning in all weather circumstances. Its 20 mm vertical and horizontal adjustability ensures an easy and flexible installation. Firmly fixed with self drilling screws - no welding required. Suitable for installation on square and round frames. Caracal is a perfect fit for swimming pools, playgrounds, parks and garden gates. Including Serval self closing hinge.

**Specifications**

- ✓ Automatic 180° closure with adjustable closing speed and final snap
- ✓ Glassfiber reinforced PA housing
- ✓ Closing speed unaffected by humidity and temperature changes
- ✓ For left and right turning gates
- ✓ Fast and easy fixing with self drilling screws
- ✓ 20 mm horizontal and vertical adjustability
- ✓ Easy to open: Max. 11 Nm
- ✓ For installation on round frame: CLB-CARACAL to be ordered additionally

**Order codes**

**CARACAL-SD-K** Hydraulic 180° gate closer and hinge mounted with self-drilling screws for square profiles

**Recommended products**

**SERVAL**  
P. 25



**FORTIMA-**  
P. 76



**GUARDIMA-**  
P. 77



**CLB-CARACAL**  
P. 190

## 180° Spring hinge mounted with self-drilling screws

SERVAL



The Serval is a compact spring hinge with force adjustability. The glassfibre reinforced polyamide housing protects the high-tech internal components, allowing for a perfect functioning in all weather circumstances. Its 20 mm vertical and horizontal adjustability ensures an easy and flexible installation. Firmly fixed with self drilling screws - no welding required. Suitable for installation on square and round frames.

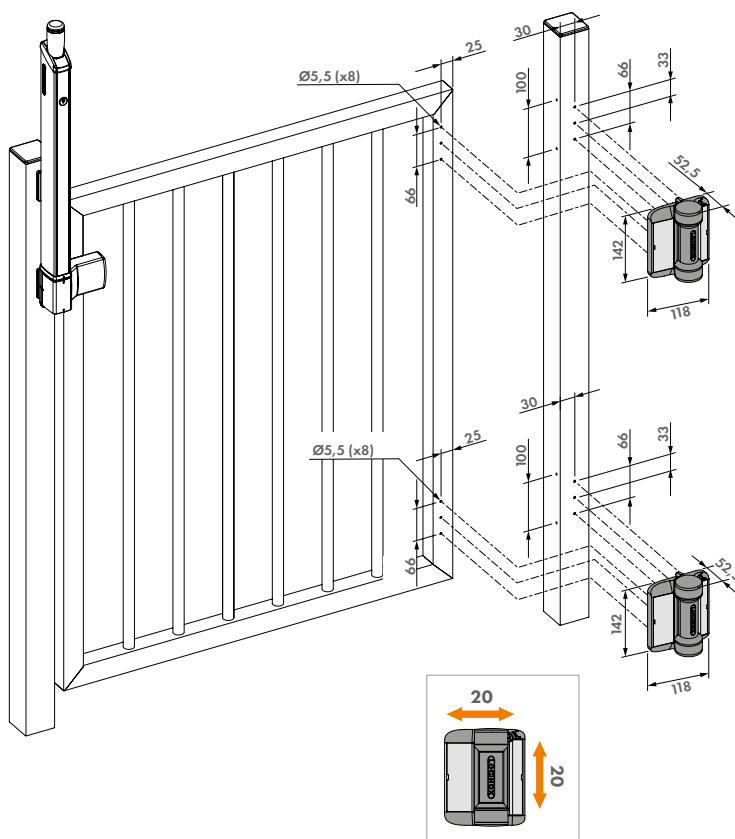


### Specifications

- ✔ 180° spring hinge with force adjustability
- ✔ Fiberglass reinforced polyamide housing
- ✔ For left and right turning gates
- ✔ Fast and easy fixing with self drilling screws
- ✔ Force adjustability from 2 up to 7 Nm (at closed position)
- ✔ Easy to open: Max. 10 Nm
- ✔ 20 mm horizontal and vertical adjustability
- ✔ Use of NOSTEP anti-climb device is recommended

### Order codes

- SERVAL-SD-R** 180° Spring hinge mounted with self-drilling screws for round profiles
- SERVAL-SD-K** 180° Spring hinge mounted with self-drilling screws for square profiles



### Recommended products



CARACAL  
P. 24



NOSTEP  
P. 191





# AUTOMATION & ELECTRONICS

Automation has become a fundamental factor in the fence & gate industry. Locinox offers many solutions for user-friendly smart gates and fences.



# Motorized gate closer for pedestrian swing gates

## ● COMPACT

From power supply to motor and steel gearbox, everything is neatly packed together in an anodized aluminium cover of only 76 mm wide. The compact all-in-one Venus with integrated electronics fits perfectly on 80 mm profiles.

## ● RELIABLE

The Venus will meet the heaviest duty expectations, including manual force. Even when pedestrians push the gate to open or close during the Venus' performance, the motor will remain unharmed.

## ● EASY

The Venus is plug-and-play, with 3 different arms to offer versatility in installation. Easily mounted on the post with our QUICK-FIX solution.

## ● UPGRADABLE

By adding access control to the gate, the Venus can easily be upgraded to also work as a low energy gate opener.

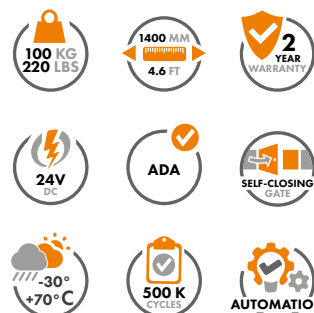


**COMING SOON****Motorized gate closer for pedestrian swing gates**

## VENUS

The Venus is a plug-and-play motorized gate closer for pedestrian swing gates. The compact all-in-one gate operator can easily be installed on any type of post and hinge thanks to 2 different arm types.

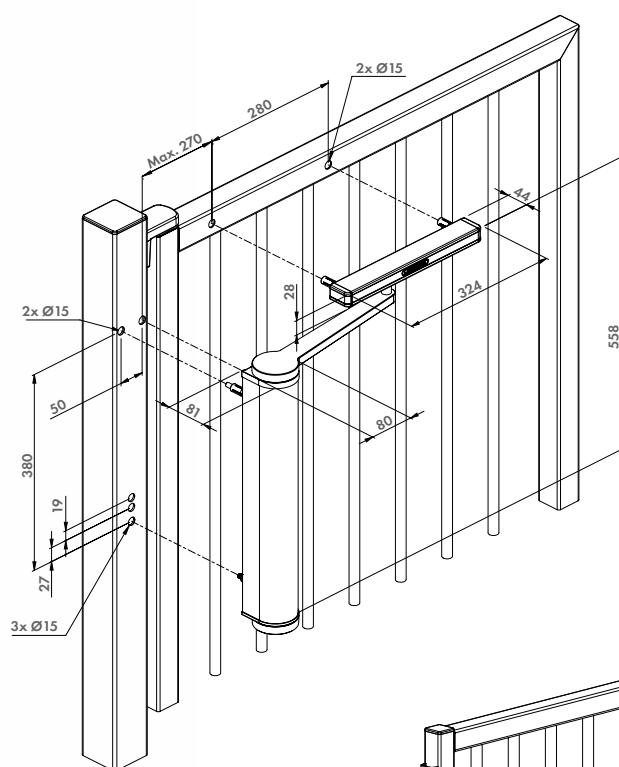
The innovative motor's performance remains unaffected by manual force. When combined with access control, the Venus also works as a low-energy gate opener.

**Color options**

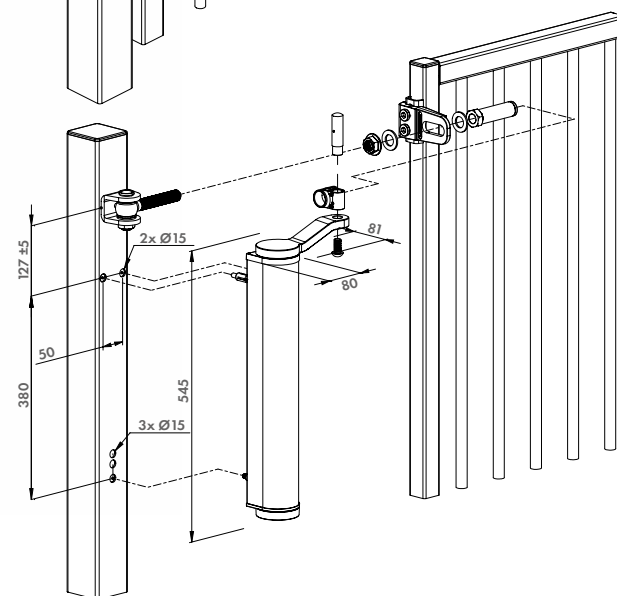
ZILV 9005

**Specifications**

- ✔ Motorized gate closer with integrated electronics
- ✔ 150 Nm torque
- ✔ fits on 80 mm profiles
- ✔ For pedestrian gates up to 1400 mm wide and 100 kg
- ✔ Steel gear box
- ✔ Anodized aluminium cover
- ✔ 2 different arm options for installation
- ✔ Easy mounting with Quick-FIX
- ✔ Compact and vandal-proof design
- ✔ Input main Power supply: 115V AC  $\pm 10\%$  (60Hz) to 230V AC  $\pm 10\%$  (50Hz)
- ✔ Motor voltage: 24V DC
- ✔ Integrated warning light
- ✔ Automated obstacle detection with reverse function

**Order codes**

VENUS- Motorized gate closer for pedestrian swing gates

**Compatible products**VENUS-ARM-G  
P. 30VENUS-ARM-S  
P. 30

**COMING SOON****Arm to install Venus with GBMU4D16 or GBMU4D20 hinge**

VENUS-ARM-G-

Accessory to install the Venus with Locinox 180° GBMU4D16 or GBMU4D20 hinge. This guarantees an efficient transmission of the motor torque. Includes a clutch mechanism for protection against torque overload.

**Specifications**

- ✔ Compatible with Venus
- ✔ Available in two colours: RAL 9005 & ZILV

**Order code****VENUS-ARM-G-** Arm to install Venus with GBMU4D16 or GBMU4D20 hinge**COMING SOON****Sliding arm to install Venus**

VENUS-ARM-S-

Accessory to install the Venus with any type of hinge, including wall situations. Includes a clutch mechanism for protection against torque overload.

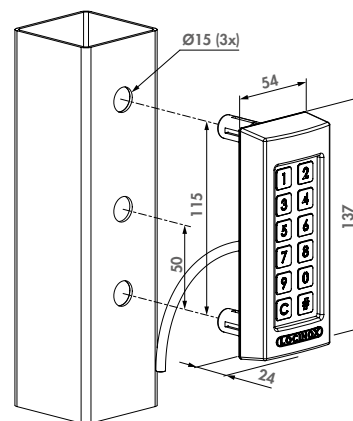
**Specifications**

- ✔ Compatible with Venus
- ✔ Available in two colours: RAL 9005 & ZILV

**Order code****VENUS-ARM-S-** Sliding arm to install Venus**Weather resistant keypad with external relays**

SLIMSTONE-X-

The durable and robust SlimStone-X keypad has been developed to work with the SwitchStone-STD relay module. When both combined, the SlimStone-X ensures maximum security against burglary thanks to 2 external relays, both with a common, Fail Open and Fail Close contact. The keypad is easy in installation and configuration, and is developed and tested for use in the most extreme weather conditions (IP68).

**Color options**

ZILV 9005

**Specifications**

- ✔ IP68 rated - Extremely resistant to water and dust
- ✔ Long range secure 2-wire communication with the SwitchStone-STD solely, distance up to 300 m
- ✔ Auto back up functionality
- ✔ Secured against burglary thanks to external relay
- ✔ Highly resistant stainless steel push buttons tested for 1,000,000 pushes and more
- ✔ Easy programming of up to 400 user codes
- ✔ Frost-free thanks to smart heating
- ✔ Tested from -30 up to +85° Celsius
- ✔ Consumption: 1,5 W (> 5°C) + 12 W at max heating (< -25°C)

**Compatible products****MODULEC-SA**  
P. 98**INTRALEC-**  
P. 109**LIKQ U2**  
P. 71**B-MAG-**  
P. 33**Order code****SLIMSTONE-X-** Strong, frost-free and watertight keypad



## Weather resistant keypad with 2 integrated relays

SLIMSTONE-2-

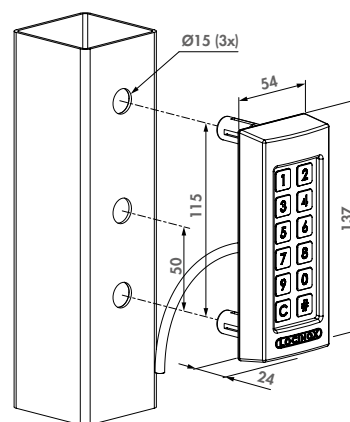
The SlimStone-2 keypad has 2 integrated relays, with a Fail Open and Fail Close contact. These make it easy to connect to Locinox and third-party automation products. This keypad with integrated led lighting is strong and extremely weather resistant, thanks to integrated heating and IP68 waterproof rating.

### Color options

ZILV 9005

### Specifications

- ✓ IP68 rated - Extremely resistant to water and dust
- ✓ Aluminium vandal-proof housing with scratch-resistant textured lacquer
- ✓ Highly resistant stainless steel push buttons tested for 1,000,000 pushes and more
- ✓ Easy installation and configuration
- ✓ Easy programming of up to 100 user codes
- ✓ Working voltage keypad from 10 up to 26 Volt AC/DC
- ✓ Current: 1.0 A (with heating)
- ✓ 2 integrated switching relays: 2 x NO - 2 x NC - 2 x COM (Max. 2A, 60W, 26V AC/DC)
- ✓ Consumption: 1,5 W (> 5°C) + 12 W at max heating (< -25°C)



### Compatible products



MODULEC-SA  
P. 98



INTRALEC-  
P. 109



LIKQ U2  
P. 71



B-MAG-  
P. 33

### Order code

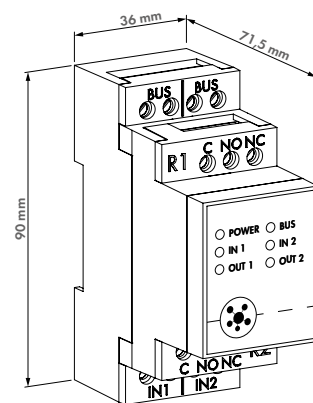
**SLIMSTONE-2-** Sturdy, frost-free and weather resistant keypad with 2 integrated relays

## 2-channel relay module

SWITCHSTONE-STD-



The SwitchStone-STD relay module has been developed to work in combination with devices such as the SlimStone-X keypad. The SwitchStone-STD ensures maximum security thanks to 2 external relays, both with a Common, Fail Open and Fail Close contact. These relays are capable of switching voltages up to 250V AC/26V DC, allowing them to be used in a wide range of applications, including switching lighting. Free exit functionality can be easily implemented using the 2 inputs on the module.



### Specifications

- ✓ Includes 2 250V AC/26V DC relays, each with COM, Fail Open and Fail Close contact
- ✓ Long range secure 2-wire communication with the SlimStone-X, up to 300 m distance
- ✓ Auto back up functionality
- ✓ DIN-rail mountable
- ✓ Tested from -30 up to +85° Celsius
- ✓ Relay switching duration adjustable between pulse and timer mode (500 ms - 99 s)
- ✓ To be used exclusively with the Powerstone 60W power supply
- ✓ Current: maximum 0.07 A
- ✓ Consumption: maximum 1.7 W

### Compatible products



SLIMSTONE-X-  
P. 30



PB-1  
P. 46



POWERSTONE-  
P. 48

### Order code

**SWITCHSTONE-STD-X-230** 2-channel relay module with NO/NC contact

# BUILT-IN MAGNETIC LOCKS

## A FULL CONCEPT FOR SWING GATES

### MAGUNIT

High quality insert magnetic lock with guaranteed holding force and long durability. 500h salt spray resistant.

### N-LINE-B-MAG

Aesthetic, adjustable and powder coated finishing profile for swing gates preventing people to stumble against protruding parts.

### 3006PULL

Elegant powder coated handle for easy opening and closing of the gate.

### TIP

- Save time and order the all-in-one **N-LINE-B-MAG KIT**
- Make your gate self-closing with the powerful **VERTICLOSE-2** gate closer



Built-in magnetic lock

## B FULL CONCEPT FOR SLIDING GATES



### MAGUNIT

High quality insert magnetic lock with guaranteed holding force and long durability. 500h salt spray resistant.

### N-LINE-S-MAG

Aesthetic, adjustable and powder coated finishing profile for sliding gates preventing people to stumble against protruding parts.

### 3006PULL

Elegant powder coated handle for easy opening and closing of the gate.



### TIP

- Add access control to your gate with the strong, frost-free and watertight **SLIMSTONE-2** keypad (IP68)



## Integrated magnet lock for swing gates

B-MAG-

Thanks to its assembly in the pole, this magnet lock can be installed invisibly and aesthetically, whilst maximal passage space is maintained. A quick assembly is done with Quick-Fix. It has a guaranteed tensile strength of 250 kg and resists to extreme weather conditions. The rubber bumpers prevent shaking of the gate, and damage to the gate and its accessories in case of harsh handling, and the flexible assembly of the armature plate guarantees a good closing even if the gate isn't perfectly aligned.

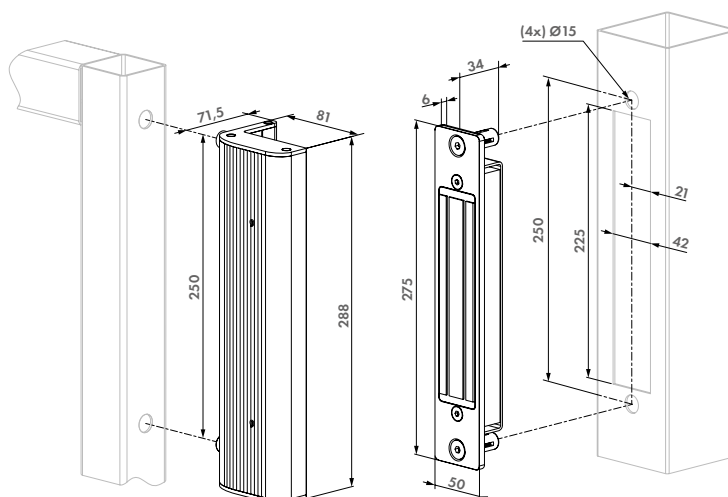


### Color options

ZILV 9005

### Specifications

- ✔ Guaranteed holding force tested on every magnetic lock
- ✔ Minimal pulling force: 2500N (250 kg)
- ✔ 500h salt spray resistant! SGS certified (ISO 9227)
- ✔ Special two-layer protective coating developed for outdoor use
- ✔ Anti-residual magnetism kick-off system
- ✔ Current: 460mA / 12V or 230mA / 24V
- ✔ Voltage: 12V / 24V DC



### Order code

**B-MAG-** Integrated magnet and bolt-on anchorplate for swing gates



### Recommended products



PB-1  
P. 46



DVK-HD  
P. 47



SLIMSTONE-2-  
P. 31



DC-ACCESS-12V-20W  
P. 48



DC-POWER-12V-20W  
P. 48



DC-POWER-24V-25W  
P. 48



## Set with magnet and anchor plate for N-LINE (B or S)-MAG profiles

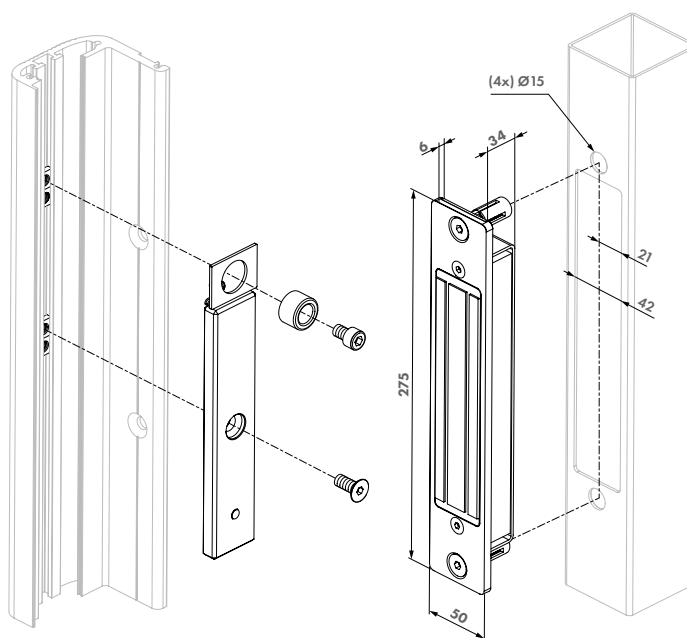
MAGUNIT-2500

Set with a MAG and anchor plate along with fittings to combine with a N-LINE-B-MAG or N-LINE-S-MAG, 1 or more MAGUNITs can be mounted in the N-LINE profile.



### Specifications

- ✔ Guaranteed holding force tested on every magnetic lock
- ✔ 500h salt spray resistant! SGS certified (ISO 9227)
- ✔ Special two-layer protective coating developed for outdoor use
- ✔ Anti-residual magnetism kick-off system
- ✔ Current: 460mA / 12V or 230mA / 24V
- ✔ Voltage: 12V / 24V DC
- ✔ Minimal pulling force: 2500N (250 kg)



### Order codes

**MAGUNIT-2500** Magnet and anchorplate for N-LINE-B-MAG and N-LINE-S-MAG profiles



### Required products



N-LINE-B-MAG-  
P. 35

N-LINE-S-MAG-  
P. 35



## Aluminium finishing profile for swing gates to combine with MAGUNIT

N-LINE-B-MAG-

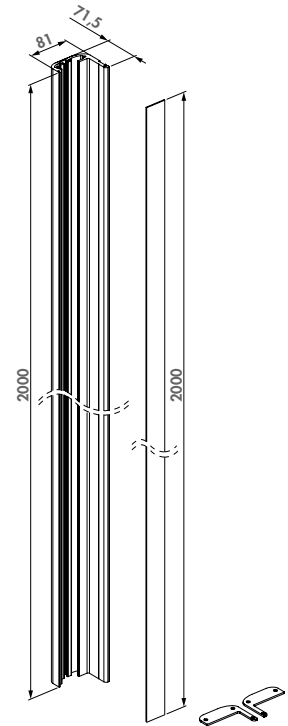
Adjustable, powder coated aluminium design profile for aesthetic closing of swing gates along with 1 or more MAGUNIT-2500. Prevents passersby to stumble against the protruding MAG parts.

### Color options

ZILV 9005

### Specifications

- ✔ Profile length of 2 m
- ✔ Fast and easy fixing with Quick-Fix
- ✔ Powder coated aluminium housing
- ✔ Specially designed for exterior use



### Compatible magnet



MAGUNIT-2500  
P. 34

### Order codes

**N-LINE-B-MAG-** Aluminium finishing profile for MAGUNIT-2500



## Aluminium finishing profile for sliding gates to combine with MAGUNIT

N-LINE-S-MAG-

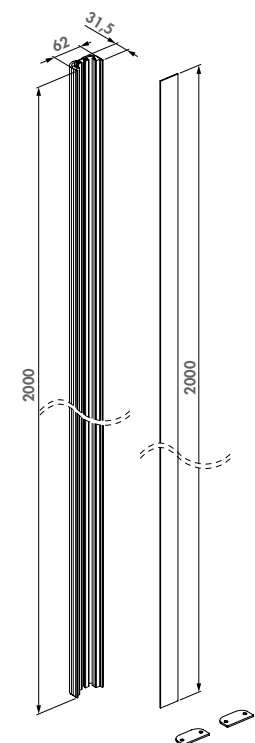
Adjustable, powder coated aluminium design profile for aesthetic closing of sliding gates along with 1 or more MAGUNIT-2500. Thanks to the integrated magnet and the armature plate, which are both integrated in the design profile, a safe and complete solution without any protruding components is guaranteed.

### Color options

ZILV 9005

### Specifications

- ✔ Profile length of 2 m
- ✔ Fast and easy fixing with Quick-Fix
- ✔ Powder coated aluminium housing
- ✔ Specially designed for exterior use



### Compatible magnet



MAGUNIT-2500  
P. 34

### Order codes

**N-LINE-S-MAG-** Aluminium finishing profile for MAGUNIT-2500



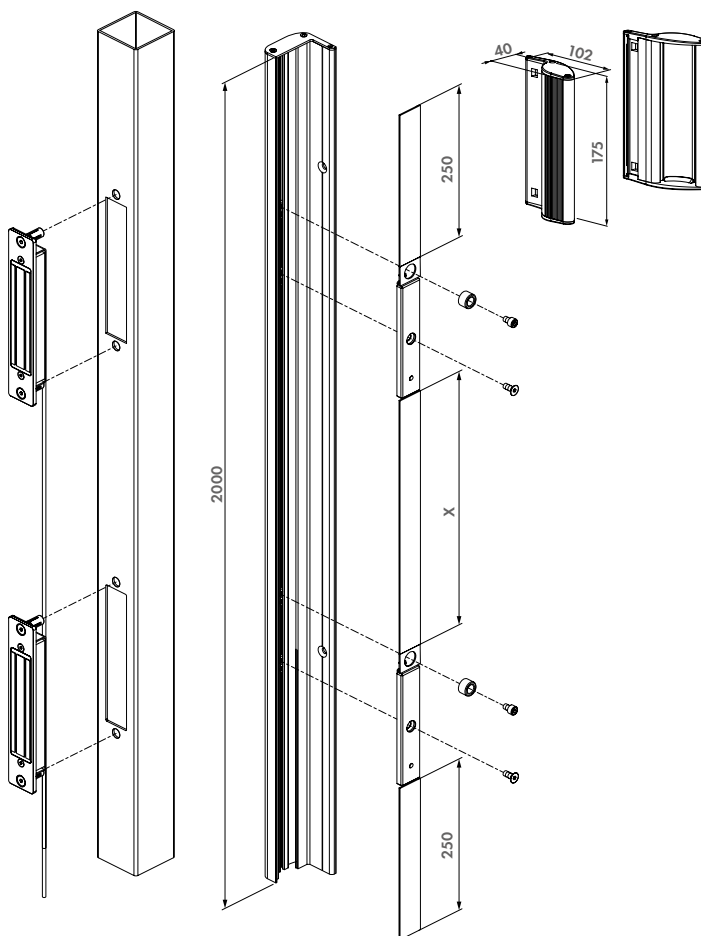
## Set with N-LINE-B-MAG, 2x MAGUNIT & 3006PULL

N-LINE-B-MAG-KIT-

Electromagnetic set for swing gates for fixing to the gate frame. The set consists of two MAGUNIT magnetic locks, the 3006PULL and an aesthetic design profile. Available in ZILV and RAL9005.

### Specifications

- ✔ Includes 2 integrated magnets equipped with Quick-Fix mounting (MAGUNIT-2500)
- ✔ Including aluminium filling profile with Quick-Fix mounting (N-LINE-B-MAG profile)
- ✔ Profile length of 2 m
- ✔ Including 2 aluminium covers for an aesthetical finishing on top and bottom
- ✔ Specially designed for exterior use
- ✔ Voltage: 12V / 24V DC
- ✔ Current: 460mA / 12V or 230mA / 24V



### Order codes

**N-LINE-B-MAG-KIT-** Set with N-LINE-B-MAG profile and 2x MAGUNIT-2500



### Kit includes



N-LINE-B-MAG-  
P. 35

MAGUNIT-2500  
P. 34



## Integrated magnet lock for sliding gates

S-MAG-

S-MAG is the perfect product to lock any type of sliding gate. It has a guaranteed tensile strength of 250 kg and resists extreme weather conditions. In case of harsh handling, the rubber bumpers prevent shaking of the gate. This way, the gate itself and its accessories are protected. The flexible assembly of the armature plate guarantees a normal closing, even if the gate isn't perfectly aligned.

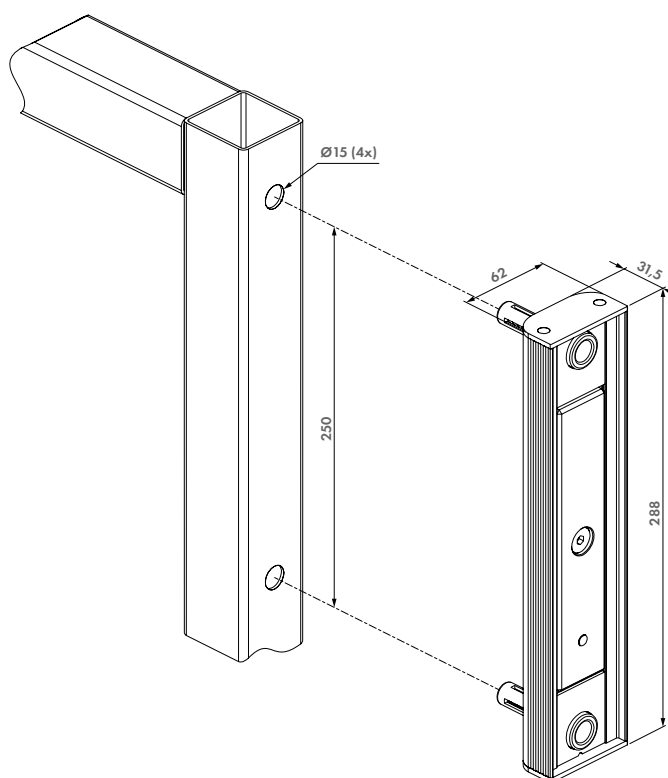


### Color options

ZILV 9005

### Specifications

- ✔ Guaranteed holding force tested on every magnetic lock
- ✔ 500h salt spray resistant! SGS certified (ISO 9227)
- ✔ Special two-layer protective coating developed for outdoor use
- ✔ Anti-residual magnetism kick-off system
- ✔ Minimal pulling force: 2500N (250 kg)
- ✔ Current: 460mA / 12V or 230mA / 24V
- ✔ Voltage: 12V / 24V DC



### Order codes

**S-MAG-** Integrated magnet and bolt-on anchorplate for sliding gates, 250 kg pulling force



### Recommended products



**SLIMSTONE-2-**  
P. 31



**PB-1**  
P. 46



**DVK-HD**  
P. 47



**DC-ACCESS-12V-20W**  
P. 48



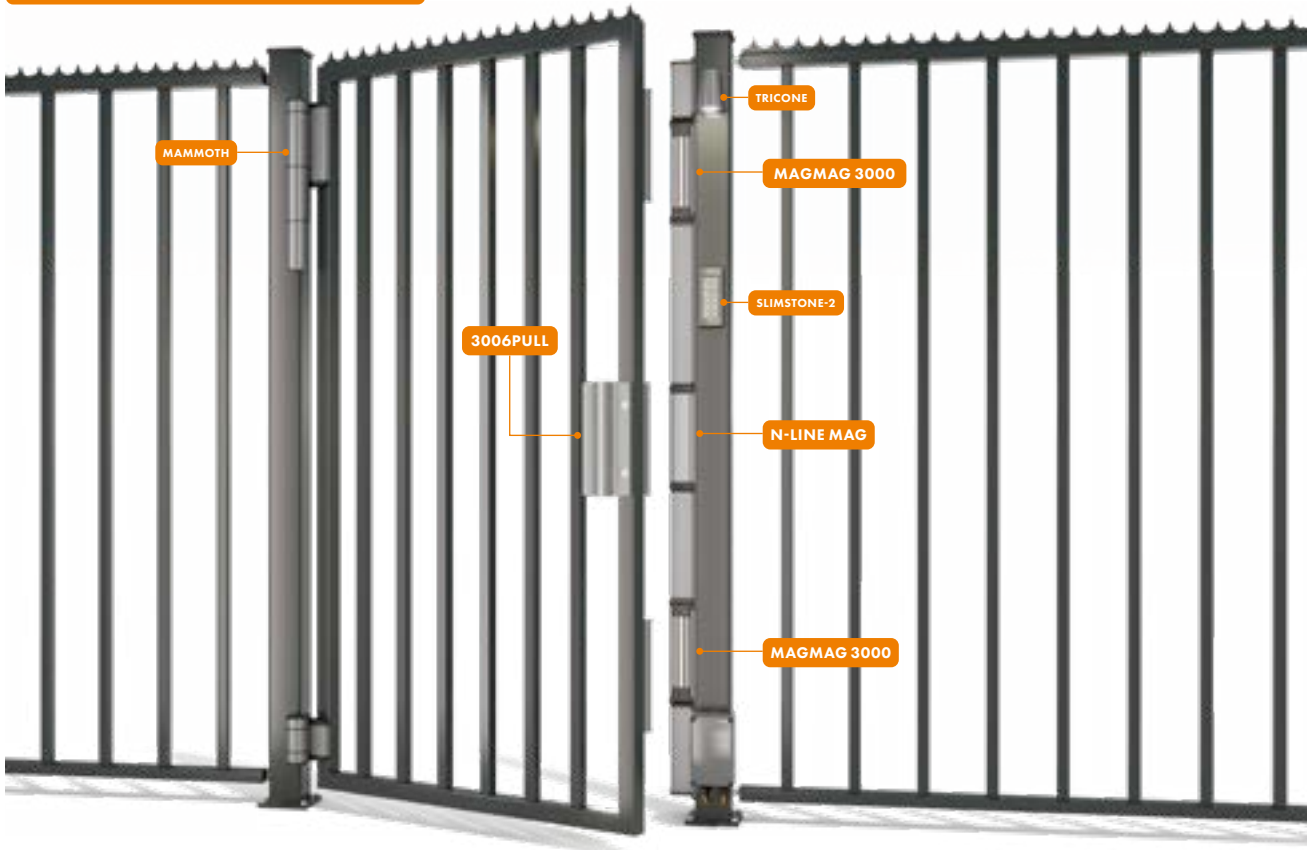
**DC-POWER-12V-20W**  
P. 48



**DC-POWER-24V-25W**  
P. 48

# SURFACE MOUNTED MAGNETIC LOCKS

## FULL CONCEPT FOR SWING GATES



### MAGMAG

High quality surface mounted magnetic lock with guaranteed holding force and long durability. 500h salt spray resistant.

### N-LINE-MAG

Aesthetic, adjustable and powder coated finishing profile for swing gates preventing people to stumble against protruding parts.

### 3006PULL

Elegant powder coated handle for easy opening and closing of the gate.

#### TIP

- Save time and order the all-in-one **N-LINE-MAG-KIT**
- Add access control to your gate with the strong, frost-free and watertight **SLIMSTONE-2** keypad (IP68)
- Make your gate self-closing with the aesthetic **MAMMOTH** gate closer



Electromagnetic lock with handles

✓ GUARANTEED PERFORMANCE

✓ COMFORTABLE

✓ WEATHERPROOF

✓ DURABLE

✓ TESTED & APPROVED



## Surface mounted magnetic lock with integrated handles

MAG-



Screw-on electromagnetic lock for access control. Available in 2 versions. MAG3000 with 300 kg and MAG6000 with 600 kg pulling force. The aluminium powder coated housing with integrated design handles gives your access control gate that extra touch. Stop losing precious time with welding boxes; drilling 7 holes does the job. The Quick-Fix enables a fast and strong fixing. A two layer, protective coating guarantees that our electromagnetic locks are ready for years of worry-free use outside.



### Color options

ZILV 9005

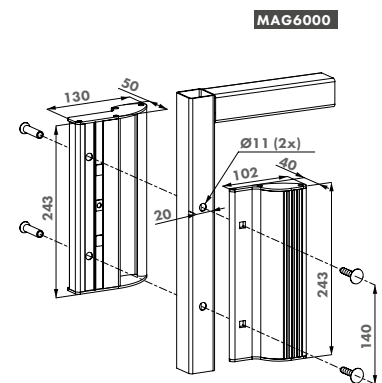
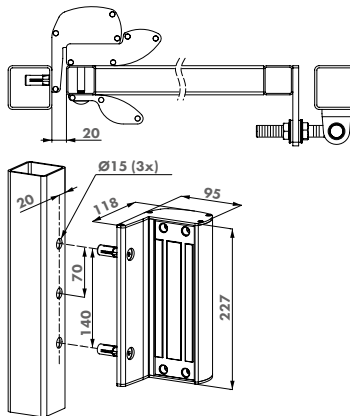
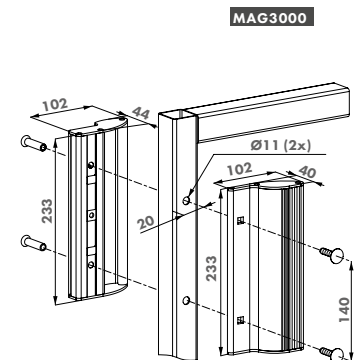
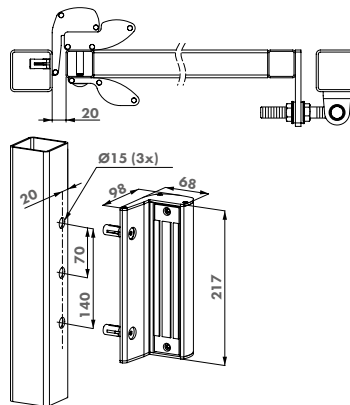
### Specifications

- ✔ 500h salt spray resistant! SGS certified (ISO 9227)
- ✔ Guaranteed holding force tested on every magnetic lock
- ✔ With Quick-fix fixing
- ✔ Powder coated aluminium housing
- ✔ Anti-residual magnetism kick-off system
- ✔ Raised edge on the magnet housing makes it impossible to put a crowbar between the magnet and the armature plate
- ✔ Voltage: 12V / 24V DC
- ✔ Current MAG3000: 500 mA / 12 V or 250 mA / 24 V
- ✔ Current MAG6000: 460 mA / 12 V or 230 mA / 24 V

### Order codes

**MAG-3000** For square posts and gate profiles of 40 mm to 80 mm, 300 kg pulling force

**MAG-6000** For square posts and gate profiles of 40 mm to 80 mm, 600 kg pulling force



### Recommended products



N-LINE-MAG-3000  
P. 41



PB-1  
P. 46



DVK-HD  
P. 47



DC-POWER-24V-25W  
P. 48



## Surface mounted electromagnetic lock without integrated handles

MAGMAG-

Screw-on magnetic lock without handle. Available in 2 versions. MAGMAG3000 with 300 kg and MAGMAG6000 with 600 kg of pulling force. The aluminium powder coated housing equipped with the unique Quick-Fix fixations ensures a fast and nicely finished mounting. Eliminate time-consuming welding; drilling 5 holes is enough to fix the lock. A two layer, protective coating guarantees that our electromagnetic locks are ready for years of worry free use outside.



### Color options

ZILV 6005 9005

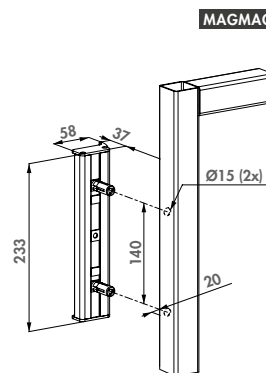
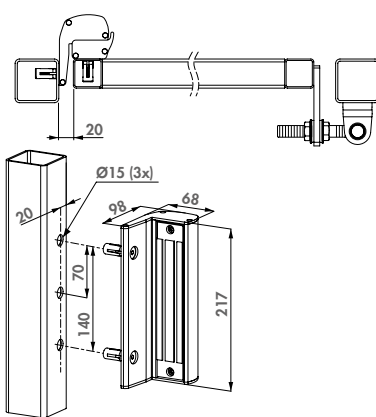
### Specifications

- ✔ 500h salt spray resistant! SGS certified (ISO 9227)
- ✔ Guaranteed holding force tested on every magnetic lock
- ✔ Special two-layer protective coating developed for outdoor use
- ✔ Powder coated aluminium housing
- ✔ Anti-residual magnetism kick-off system
- ✔ Raised edge on the magnet housing makes it impossible to put a crowbar between the magnet and the armature plate
- ✔ Current MAGMAG3000: 500 mA / 12 V or 250 mA / 24 V
- ✔ Current MAGMAG6000: 460 mA / 12 V or 230 mA / 24 V
- ✔ Voltage: 12V / 24V DC

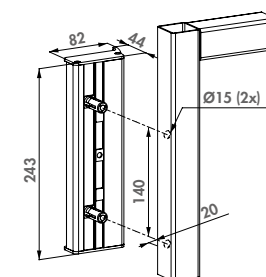
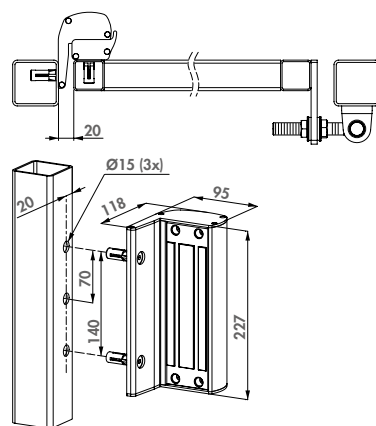
### Order codes

**MAGMAG-3000** For square posts and gate profiles of 40 mm to 80 mm, 300 kg pulling force

**MAGMAG-6000** For square posts and gate profiles of 40 mm to 80 mm, 600 kg pulling force



MAGMAG3000



MAGMAG6000



### Recommended products



N-LINE-MAG-3000  
P. 41



PB-1  
P. 46



DVK-HD  
P. 47



DC-POWER-24V-25W  
P. 48

## Profile for MAG3000 and MAGMAG3000 magnetic locks

N-LINE MAG-

Adjustable, powder coated aluminium design profile for aesthetic closing of the gaps between MAG3000 or MAGMAG3000 magnetic locks. To be fixed to the post. Prevents passersby to bump into the protruding parts of the magnetic lock.

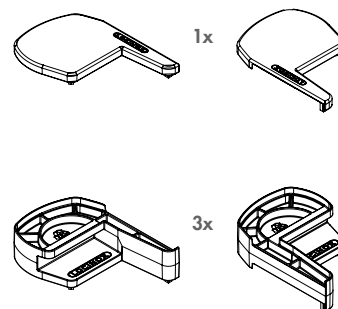
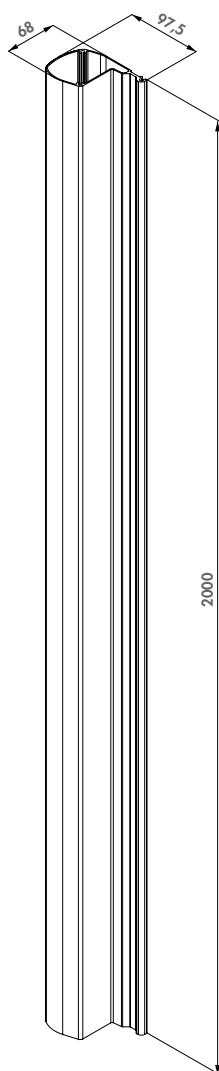


### Color options

ZILV 9005

### Specifications

- ✔ Profile length of 2 m
- ✔ Delivered with self drilling screws, compatible with Quick-Fix
- ✔ 2 plastic cover caps and 6 in between caps included
- ✔ Separate adaptor needed with 3006PULL, delivered with 3006PULL



### Order code

**N-LINE-MAG-3000** Aluminum finishing profile for MAG3000 & MAGMAG3000



### Recommended magnetic locks



MAG-3000  
P. 39

MAGMAG-3000  
P. 40



## Set with N-LINE MAG profile, 2x MAGMAG3000, 3006PULL

N-LINE MAG KIT-3000

Set with N-LINE MAG profile and 2x MAGMAG3000 and 3006PULL handle. 3006PULL handle is included to finish your gate. Aesthetic solution which prevents passersby to bump into the magnetic lock parts.



### Color options

ZILV 9005

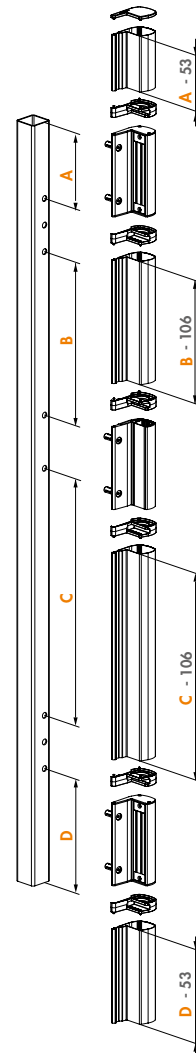
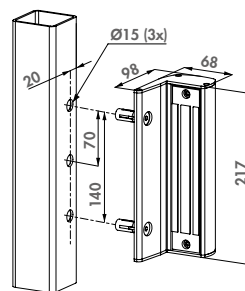
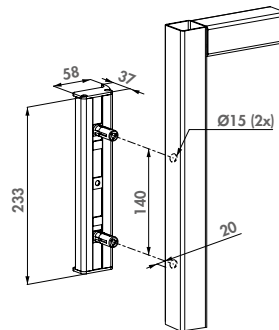
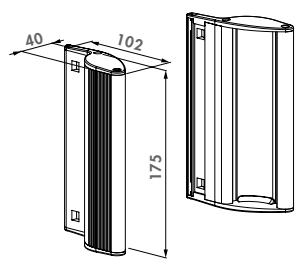
### Specifications

- ✔ Adjustable aluminium design profile to mount above, below and in between the magnets
- ✔ Profile length of 2 m
- ✔ Delivered with self drilling screws, compatible with Quick-Fix
- ✔ 2 plastic cover caps and 6 in between caps included
- ✔ Aluminium 3006PULL handle included
- ✔ Delivered with 2x MAGMAG3000
- ✔ Voltage: 12V / 24V DC
- ✔ Current: 500mA / 12V or 360mA / 24V

### Order code

**N-LINE MAG KIT-3000**

Set with N-LINE MAG profile and 2x MAGMAG3000 and 3006PULL handle



### Kit includes



N-LINE-MAG-3000  
P. 41



MAGMAG-3000  
P. 40



3006PULL  
P. 174



## Design LED-lighting for fences & gates

### TRICONE

Plug & Play design led lighting for your fences & gates. Gives your gate an aesthetical look with minimal power consumption! The Quick-Fix provides a fast and strong fixing on your fencing.

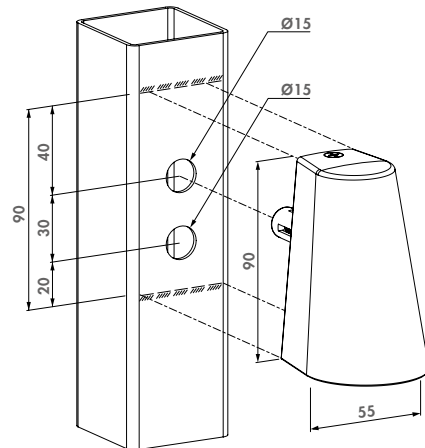


#### Color options

ZILV 9005

#### Specifications

- ✔ Easy mounting with Quick-Fix
- ✔ Aluminium housing with plastic (POM) cable guiding
- ✔ 3 White High-Flux LED Lights, colour temperature: 5700K - 6500K
- ✔ ± 140° beam angle
- ✔ Life expectancy: 50.000 hours
- ✔ 300 lux (illuminance)
- ✔ Power: ± 1W (with 12V DC)
- ✔ 12V AC or DC (max. 18V DC or peak AC)
- ✔ Minimum power consumption and long lasting performance
- ✔ Resin encapsulated print circuit board for maximum weather resistance
- ✔ Power up to 20 Tricone with 1 Locinox AC transformer or up to 15 with the DC power
- ✔ IP54



#### Order code

TRICONE Design led-lighting for gates with Quick-Fix



#### Cable guiding



DVK-HD  
P. 47



DVK  
P. 46



2005  
P. 47



PB-1  
P. 46

#### Recommended power supplies



AC-TRANS-12V-25W  
P. 47



DC-POWER-12V-20W  
P. 48



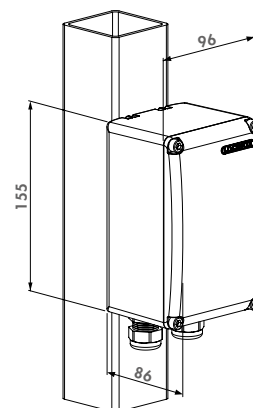
DC-ACCESS-12V-20W  
P. 48



## Powerbox - Transformer housing

PB-1

Aluminium powder coated transformer box with Quick-Fix for strong and easy fixing. IP66



### Housing color options

ZILV 9005

### Specifications

- ✔ Waterproof transformer box - IP66
- ✔ Aluminium powder coated
- ✔ DIN-rail (type TH35) included: 86 mm long
- ✔ Supplied with 2 gland nuts M20 and 2 stop plugs M16
- ✔ Designed with heat-dissipation fins at the back

### Housing for power supplies and timer



SWITCHSTONE-STD-  
P. 31



DC-ACCESS-12V-20W  
P. 48



DC-POWER-12V-20W  
P. 48



DC-POWER-24V-25W  
P. 48

### Order code

PB-1 Transformer housing with DIN-rail and Quick-Fix fixing



## Guiding cable

DVK

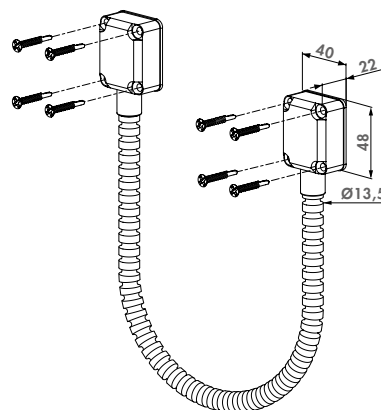
Stainless steel guiding cable to protect your electrical wires in an outside environment.

### Color options

ZILV

### Specifications

- ✔ Stainless steel guiding cable for electrical wire
- ✔ Length of the cable: 450 mm
- ✔ Supplied with 8 self tapping screws
- ✔ Inner diameter:  $\varnothing 10$  mm



### Recommended cable



### Order code

DVK Stainless steel guiding cable 450 mm

2005  
P. 47



## Reinforced, braided stainless steel guiding cable

DVK-HD

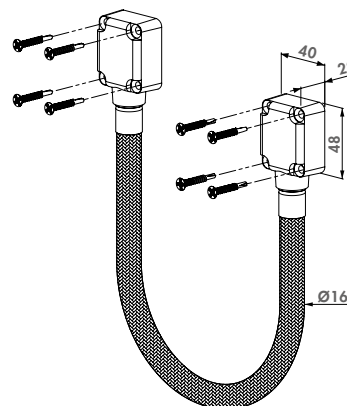
Aesthetic and durable solution for the guidance of electrical wiring. Protects your wiring against dirt, moist and vandalism in an outside environment. The cable wraps around and protects the cabling of your electrical gate hardware and avoids the risk of short circuiting.

### Color options

ZILV

### Specifications

- ✔ Vandal-proof, stainless steel, braided guiding cable
- ✔ Available with 450 or 650 mm braided cable
- ✔ Protects electrical wiring against vandalism, moist, dirt and vermin
- ✔ Strong fixation by means of 8 self-tapping stainless steel screws
- ✔ Cable entry: aluminium housing
- ✔ Inner diameter:  $\varnothing 9$  mm



### Recommended products



POWERSTONE-  
P. 48

### Order codes

**DVK-HD-450** Reinforced stainless steel guiding cable 450 mm

**DVK-HD-650** Reinforced stainless steel guiding cable 650 mm



## Electrical wire

2005

Electrical cable; very flexible and weatherproof.

### Specifications

- ✔ Length of the wire: 5 m
- ✔  $2 \times 0,75 \text{ mm}^2$
- ✔ Water resistant & weatherproof
- ✔ Tested at 500.000 bendings
- ✔ Kink resistant

### Order code

**2005** Electrical cable 5 m -  $2 \times 0,75 \text{ mm}^2$



## Safety transformer 12V AC

AC-TRANS-12V-25W

Safety Transformer 12V AC

### Specifications

- ✔ Mounting on DIN-rail or directly
- ✔ Power: 25W
- ✔ Primary voltage: 230V AC - Secondary voltage 12V AC
- ✔ Aluminium housing
- ✔ Robust control module: encapsulated for superior humidity resistance

### Order code

**AC-TRANS-12V-25W** Transformer 12V AC - 25W



## 60W power supply

POWERSTONE-

High-quality 60W switching-mode power supply. Plug & Play installation guaranteed and integrated overload indicator.

### Specifications

- ✔ Input: 110-240 VAC, 50-60Hz, 1.2A maximum
- ✔ Output: +24V DC, 2.5A maximum, 60W
- ✔ Resettable overload indicator
- ✔ Auxiliary 24V DC output available

### Order code

**POWERSTONE-24V-60W** 60W power supply



## All-in one 12V DC Access Module with integrated timer

DC-ACCESS-12V-20W

All-in-one, Plug & Play Access Module (220V AC input). Including power supply and integrated timer with easy to read display and easy to operate: time range (1 to 99s) of switched state controlled by push buttons. A 12V DC Fail Open or Fail Close device can be easily connected to the module.

### Specifications

- ✔ Mounting on DIN-rail or directly
- ✔ Time range (1 to 99s) of switched state controlled by push buttons
- ✔ Set time clearly visible on display
- ✔ Robust control module: encapsulated for superior humidity resistance
- ✔ Input voltage: 230V AC / Maximum output power: 20W

### Order code

**DC-ACCESS-12V-20W** All-in one 12V DC Access Module with integrated timer



## Safety power supply 12V and 13V DC

DC-POWER-12V-20W

Safety power supply 12V / 13V DC - 20W

### Specifications

- ✔ Mounting on DIN-rail or directly
- ✔ Power: 20W
- ✔ Primary voltage: 230V AC - Secondary voltage 12V / 13V DC
- ✔ Robust control module: encapsulated for superior humidity resistance

### Order code

**DC-POWER-12V-20W** Power supply 12 V DC - 20 W



## Safety power supply 24V and 25V DC

DC-POWER-24V-25W

Safety power supply 24V / 25V DC - 25W

### Specifications

- ✔ Mounting on DIN-rail or directly
- ✔ Power: 25W
- ✔ Primary voltage: 230V AC - Secondary voltage 24V / 25V DC
- ✔ Robust control module: encapsulated for superior humidity resistance

### Order code

**DC-POWER-24V-25W** Power supply 24-25V DC - 25W



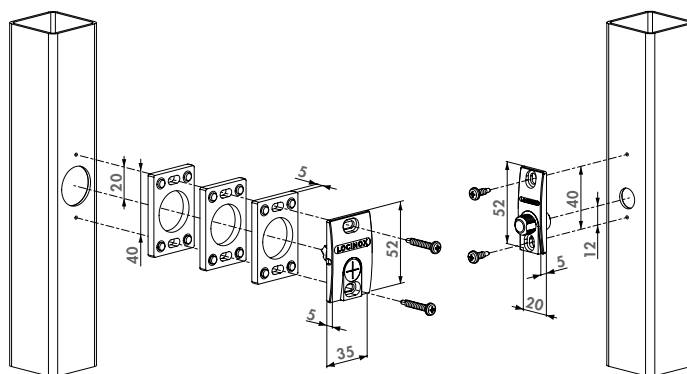
## Position detection set for gates - stand alone

### GATESWITCH

Multi-purpose position detection set, consisting out of a magnet and magnetic switch. This set can be easily connected to any electrical system like your access control or burglary system. The distance between the magnets can be easily changed by means of an adjustable magnet and included filler plates.

#### Specifications

- ✔ Possibility to activate led light when the sensor detects the magnet (requires 12V DC at the gate)
- ✔ Operates with Normally Open (N/O) or Normally Closed (N/C) contacts
- ✔ Required distance between the gate and the post is minimum 10 mm and maximum 50 mm
- ✔ Easy adjustment of distance between sensor and magnet by means of filling plates (fillers) and screwable magnet



#### Recommended power supplies



DC-POWER-12V-20W  
P. 48



DC-ACCESS-12V-20W  
P. 48

#### Order code

**GATESWITCH** For gate situations with a min. gap of 10 mm and max. 50 mm between post and gate







# TURNSTILES

The Locinox (electro)mechanical control unit allows you to easily create a maintenance free and high quality turnstile. You have an (electro)mechanical unit at your disposal with which you can match the design of your turnstile to the design of your fencing!



## Modular (electro)mechanical control unit for turnstiles

TURNITEC (Patented)



The Locinox (electro)mechanical control unit (3-arm 120° or 4-arm 90°) allows you to easily create a maintenance free and high quality turnstile. You can match the design of your turnstile to the design of your fencing! The Turnitec mechanism is applicable to any turnstile and a quick installation is guaranteed. Thanks to the 100% modular design you can adapt the mechanism to your customers' desires. A comfortable and safe operation is guaranteed by the optional damping system that is unaffected by temperature changes.

### Compatible Turnitec modules



TT-BM3S  
P. 53

TT-BSP  
P. 53

TT-DM3  
P. 53



TT-FO2  
P. 54

TT-FC2  
P. 54

TT-MM3S  
P. 54



TT-SAH  
P. 54

TT-PIVOT  
P. 54

TT-CL2  
P. 53

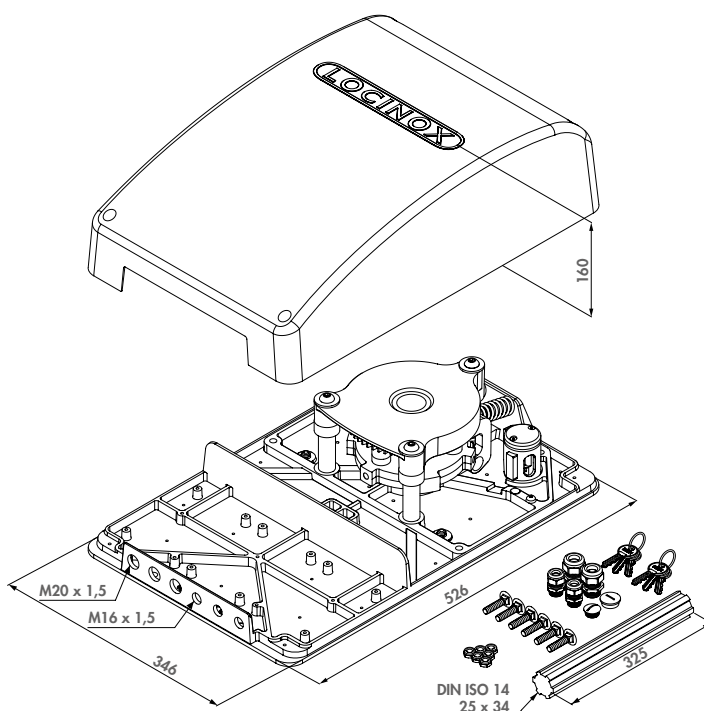
### Specifications

- ✓ 100% modular system: composition according customers' desires and expandable at any moment
- ✓ Available for 3-arm (120°) and 4-arm (90°) turnstile
- ✓ Optional interchangeable left/right mechanical or electromechanical modules (Fail Open or Fail Close)
- ✓ Automatic return to starting position (by means of industrial pressure springs) after every passage
- ✓ Anti-passback security (locking after a 60° or 45° rotation): prevents the simultaneous passing of 2 persons
- ✓ Very robust implementation and strong connection with the turnstile by a 34 mm diameter spline axle (length 325 mm)
- ✓ Manufactured completely in rust-proof parts (stainless steel and aluminium)
- ✓ Optional damping system guarantees smooth and gradual movements. Damping is continuous and unaffected by temperature changes (patented system)
- ✓ Possible to set signal duration
- ✓ IP55 housing protects the mechanism against water, dirt, wind, dust and vermin

### Order code

#### TTEC-BMS-FO2-FC2-DM-CL2

Full option Turnitec, Base mechanism + 1 Fail Open module + 1 Fail Close module + Hydraulic damper + 1 Counter & Light module





## TURNITEC base mechanism for 3-arm turnstile

TT-BM3S

With the TURNITEC base mechanism you can bi-directionally operate your turnstile free-turning. This 3-arm (120°) mechanism can be modularly expanded with the mechanical and electromechanical locking modules and a hydraulic damper to further finetune the access control and usability of your turnstile.

### Order code

**TT-BM3S** Base mechanism 3-arm 550 x 350 x 170 mm



## Hydraulic damper for TURNITEC for 3-arm turnstile

TT-DM3 (Patented)

Unique hydraulic damper for your TURNITEC mechanism. The first half of the rotation is undamped and the second half is damped progressively thanks to the continuous damping of the mechanism. This results in a fluent motion of the turnstile and avoids the turnstile hitting the users heels.

### Order code

**TT-DM3** Hydraulic damping module for TT-BM3



## TURNITEC base mechanism for 4-arm turnstile

TT-SM4S

With the TURNITEC base mechanism you can bi-directionally operate your turnstile free-turning. This 4-arm turnstile (90°) mechanism can be modularly expanded with the mechanical and electromechanical locking modules and a hydraulic damper to further fine-tune the access control and usability of your turnstile.

### Order code

**TT-SM4S** Base mechanism 4-arm 550 x 350 x 170 mm



## Hydraulic damper for TURNITEC for 4-arm turnstile

TT-SDM4 (Patented)

Unique hydraulic damper for your TURNITEC mechanism. The first half of the rotation is undamped and the second half is damped progressively thanks to the continuous damping of the mechanism. This results in a fluent motion of the turnstile and avoids the turnstile hitting the users heels.

### Order code

**TT-SDM4** Hydraulic damping module for TT-SM4S



## Counter & passing light signals module for TURNITEC

TT-CL2

Plug&Play module which enables connecting counters and passing light signals in both turning directions. A counter tells you how many people are on the terrain or how many rotations your turnstile made, while passing light signals guarantee a swift, safe and correct use of the turnstile.

### Order code

**TT-CL2** Turnitec counter & passing lights module



## TURNITEC welding plate in black steel

TT-BSP

Welding plate for TURNITEC mechanism for a flawless installation of the TURNITEC on any turnstile. The punched drilling pattern and cut-outs for the cylinders ensure a fast and error-free installation.

### Order code

**TT-BSP** Black steel welding plate 530 x 350 x 5 mm



## Fail Open electromodule for TURNITEC

TT-FO2

With the electromechanical module an operator has the ability to control incoming and outgoing traffic. Granting access or closing the system, changing the rotational direction and executing access control, all can be managed easily with the TURNITEC module.

### Order code

**TT-FO2** Fail-Open access control electromodule



## Fail Close electromodule for TURNITEC

TT-FC2

With the electromechanical module an operator has the ability to control incoming and outgoing traffic (granting access, changing the rotational direction and executing access control). After authorisation the turnstile is unlocked electronically and visitors have access to the terrain.

### Order code

**TT-FC2** Fail-Close access control electromodule



## Mechanical module for TURNITEC

TT-MM3S

This module for the TURNITEC mechanism offers the advantage of working completely mechanical. No power supply or cabling is needed. The release and locking of a direction of rotation is easy to set with a Europrofile cylinder lock. People can enter the terrain by pushing the turnstile arm.

### Order code

**TT-MM3S** Mechanical access control module



## Hub for seamless connection with turnstile

TT-SAH

Hub for seamless connection of the Turnitec base mechanism with the spline axle and the turnstile.

### Order code

**TT-SAH** Hub for seamless connection with turnstile



## Lower bearing and flange assembly for turnstiles

TT-PIVOT

Stainless steel bearing in a 17 mm thick aluminium baseplate. With bearings for a guaranteed smooth operation. Available with ball bearing or tapered roller bearing.

### Order codes

**TT-PIVOT-BB** Lower ball bearing and flange assembly for full height turnstiles

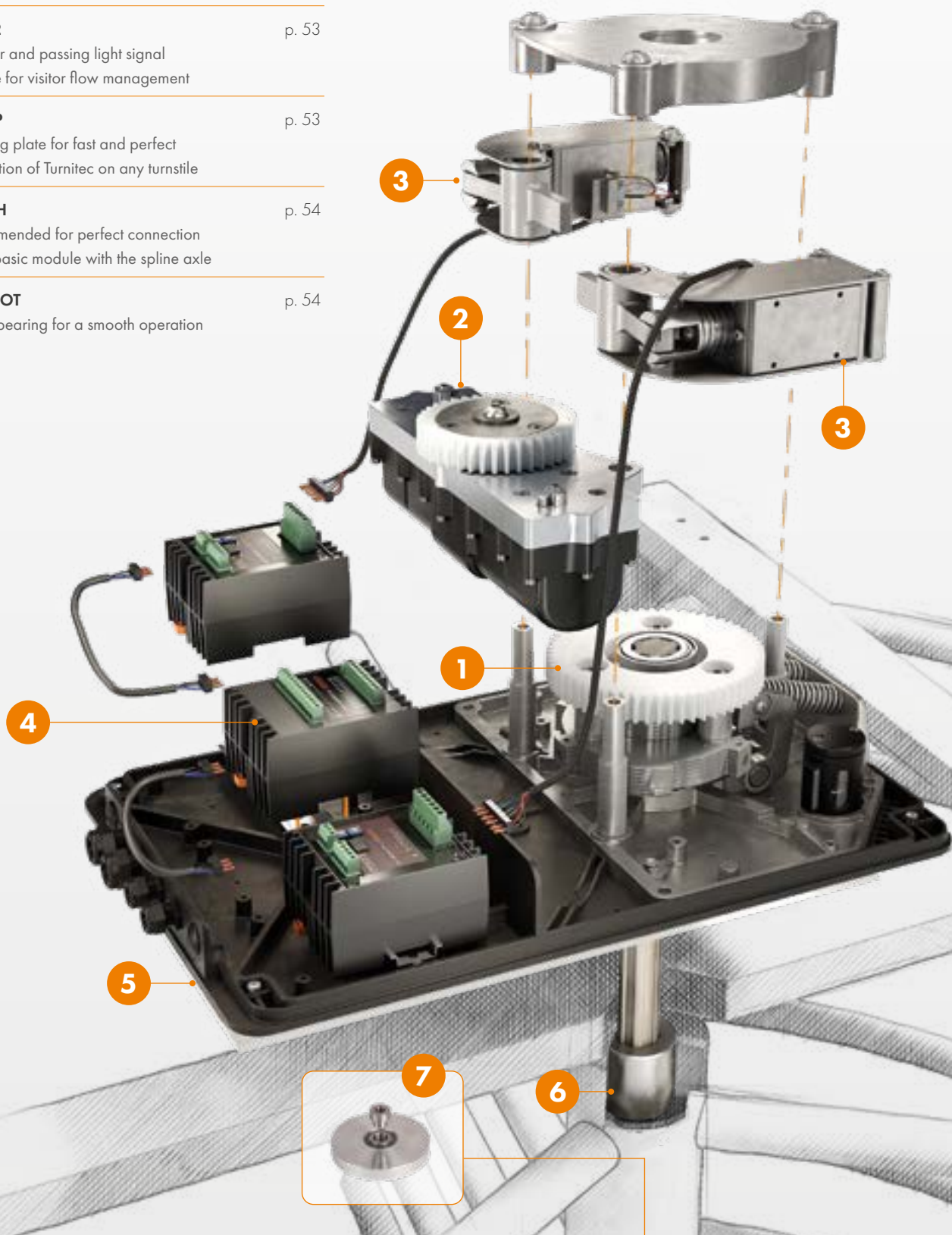
**TT-PIVOT-CC** Lower tapered roller bearing and flange assembly for full height turnstiles



# (ELECTRO)MECHANICAL CONTROL UNIT FOR TURNSTILES

## THE COMPLETE TURNITEC SOLUTION

- 1 TT-BM3S 120° / TT-SM4S 90°** p. 53  
The essential module for any turnstile
- 2 TT-DM3 120° / TT-SDM4 90°** p. 53  
Recommended hydraulic damping mechanism for extra user comfort
- 3 TT-FO2 / TT-FC2** p. 54  
Fail Open or Fail Close electromechanical module for access control
- 4 TT-CL2** p. 53  
Counter and passing light signal module for visitor flow management
- 5 TT-BSP** p. 53  
Welding plate for fast and perfect installation of Turnitec on any turnstile
- 6 TT-SAH** p. 54  
Recommended for perfect connection of the basic module with the spline axle
- 7 TT-PIVOT** p. 54  
Lower bearing for a smooth operation







# LOCKS

Locinox locks guarantee a well operating gate. Every lock is thoroughly tested excessively in our own test center where they are exposed to the most extreme circumstances. This ensures us that our locks will work in all weather conditions. We offer a variety of locks for garden gates, industrial gates or swimming pool gates. Locinox locks - the safest solution in fence protection.



# i Industrial quality and modularity

**1** 30+ YEARS OF HIGH PRECISION ENGINEERING EXPERTISE

**2** MAINTENANCE FREE  
Fit & forget

**3** 3 YEARS PREMIUM WARRANTY

**4** CORROSION RESISTANT  
100% stainless steel internal mechanism. Lock box resistant to 1000+ hours of salt spray testing thanks to KTL coating

**5** EASY INSTALLATION & 20 MM ADJUSTABILITY

**6** DOUBLE LATCHING  
Separate day and night bolt

**7** WHEN LOCKED, RESISTING TO 1000+ KG LATERAL FORCES

**8** PATENTED QUICK-FIX BOLTS  
Resisting to forces up to 1000 kg

**9** SECURE LOCKING  
23 mm throw in one turn of the key

**10** 500K GUARANTEED TESTING

**11** 500+ CONFIGURATIONS AVAILABLE FROM STOCK  
Shipment within 24h

**12** STURDY HANDLES OUT OF ONE PIECE OF ANODIZED ALUMINIUM

LAKQ U2  
SAKL QF

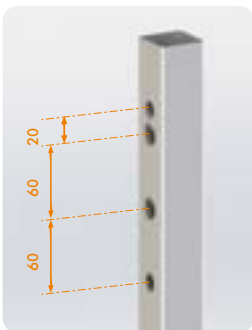
## It gets even better.

### Endless upgrades possible!

One drilling template for all our locks and keeps.

With this interchangeability, the Locinox lock gives you the opportunity to offer a solution for every situation.

#### 1 easy installation method for all our locks



	<b>ELECTRIC</b> Surface mounted electric gate lock with fail open or close functionality		<b>PANIC LOCK</b> Surface mounted anti-panic lock for free exit		<b>ORNAMENTAL</b> Surface mounted ornamental gate lock
	<b>DOUBLE CYLINDER</b> Surface mounted gate lock with 2 cylinders		<b>CHILD SAFETY</b> Surface mounted gate lock with child proof security knob		<b>PUSH HANDLE</b> Aluminium push handle set
	<b>CODE LOCK</b> Surface mounted mechanical code lock		<b>PUSH BAR</b> Aluminium push bar for free exit		<b>ELECTRIC CODE LOCK</b> Surface mounted electric gate lock

#### Compatible with many keeps

	<b>SMKL</b> Polyamide garden gate keep		<b>SHKL QF</b> Adjustable security keep out of stainless steel		<b>MODULEC-SA</b> Surface mounted electric strike		<b>MODULEC-SH</b> Surface mounted electric security keep
--	---	--	---	--	--	--	---

## Surface mounted gate lock

LAKQ U2 (Patented)

High quality gate lock with aluminium housing and stainless steel mechanism. We advise this lock as a standard for all your industrial gates. The 20 mm continuous adjustability of the bolts allows a perfect latching / locking of the mechanism. A solid stainless steel deadbolt with a 23 mm throw guarantees a secure locking. Standard supplied with anodized aluminium handle pair. For a fast and highly precise installation, we recommend using the Drill-Fix drilling jig.

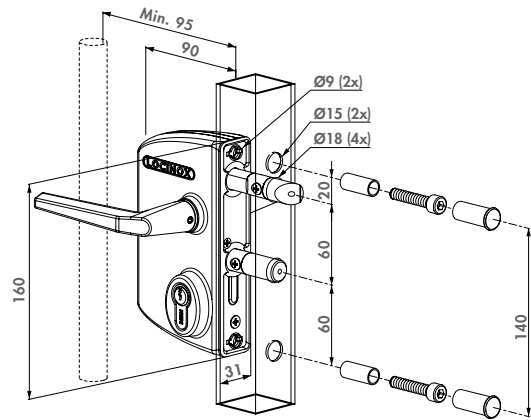


### Lock box color options

ZILV 6005 6009 7016 9005 9010

### Specifications

- ✓ ISO 9227 KTL / E-coated lock box withstands 1000 hours of salt spray test
- ✓ Easy left or right changing of the self-latching daybolt
- ✓ 23 mm throw of the dead bolt, in 1 turn of the key
- ✓ Key-operated self-latching bolt
- ✓ 4-hole fixing with two hexagon socket head screws
- ✓ 60 mm center distance of the bolts
- ✓ Continuous adjustment of the daybolt up to 20 mm without dismantling the lock box
- ✓ Stainless steel mechanism



Locks for swing gates

### Recommended keeps



SAKL QF  
P. 99



SHKL QF  
P. 99



MODULEC-SA  
P. 98

### Order codes

For square profiles

**LAKQ3030 U2L** Adjustable from 30 mm to 50 mm

**LAKQ4040 U2L** Adjustable from 40 mm to 60 mm

**LAKQ6060 U2L** Adjustable from 60 mm to 80 mm

For round profiles

**LARQ3030 U2L** Adjustable from 30 mm to 50 mm

**LARQ4040 U2L** Adjustable from 40 mm to 60 mm

**LARQ6060 U2L** Adjustable from 60 mm to 80 mm

For flat profiles

**LAPQ1010 U2L** Adjustable from 10 mm to 30 mm



### Recommended handles



3006B  
P. 179



3006I  
P. 180



3006D  
P. 180



KIDLOC  
P. 171

### Easy exit handles & Accessories



PUSHBAR-L  
P. 175



3006PUSH  
P. 174



ROLLTOP  
P. 166



SHROUD-LA  
P. 185



## Surface mounted gate lock for Swiss profile cylinder

LAKQ U3 (Patented)

High grade gate lock with aluminium housing and stainless steel mechanism. This lock is delivered without a cylinder and is suitable for use with a Ø22 mm cylinder (Swiss profile cylinder). The 20 mm continuous adjustability of the bolts allows a perfect latching / locking of the mechanism. A solid stainless steel deadbolt with a 23 mm throw guarantees a secure locking. Standard supplied with anodized aluminium handle pair. For a fast and highly precise installation, we recommend using the Drill-Fix drilling jig.

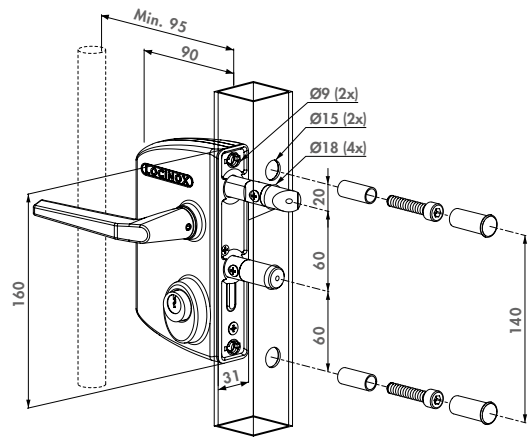


### Lock box color options

ZILV 6005 6009 7016 9005 9010

### Specifications

- ✓ ISO 9227 KTL / E-coated lock box withstands 1000 hours of salt spray test
- ✓ Easy left or right changing of the self-latching daybolt
- ✓ Lock box for Swiss profile cylinder (Ø22 mm)
- ✓ 23 mm throw of the dead bolt, in 1 turn of the key
- ✓ Key-operated self-latching bolt
- ✓ 4-hole fixing with two hexagon socket head screws
- ✓ 60 mm center distance of the bolts
- ✓ Continuous adjustment of the daybolt up to 20 mm without dismantling the lock box
- ✓ Stainless steel mechanism



### Recommended keeps



SHKL QF  
P. 99



SAKL QF  
P. 99



MODULEC-SA  
P. 98

### Order codes

For square profiles

**LAKQ3030 U3L** Adjustable from 30 mm to 50 mm

**LAKQ4040 U3L** Adjustable from 40 mm to 60 mm

**LAKQ6060 U3L** Adjustable from 60 mm to 80 mm

For round profiles

**LARQ3030 U3L** Adjustable from 30 mm to 50 mm

**LARQ4040 U3L** Adjustable from 40 mm to 60 mm

**LARQ6060 U3L** Adjustable from 60 mm to 80 mm

For flat profiles

**LAPQ1010 U3L** Adjustable from 10 mm to 30 mm



### Recommended handles



3006M  
P. 179



3006I  
P. 180



3006B  
P. 179



3006R  
P. 180

### Easy exit handles & Accessories



PUSHBAR-L-  
P. 175



3006PUSH  
P. 174



SHROUD-LA-  
P. 185



DRILL-FIX  
P. 163

## Surface mounted US Mortise cylinder gate lock (USA)

LUKY J5 (Patented)

Excellent gate lock with aluminum housing and stainless steel mechanism. Developed specifically to use with a standard 29 mm mortise cylinder. Comes standard with 5pin keyed alike or keyed different (drilled 6pin). The latch and dead bolt have 10 mm continuous adjustment to allow perfect alignment of the locking mechanism. A stainless steel throw of 23 mm guarantees secure locking. For a fast and highly precise installation, we recommend using the Drill-Fix drilling jig.

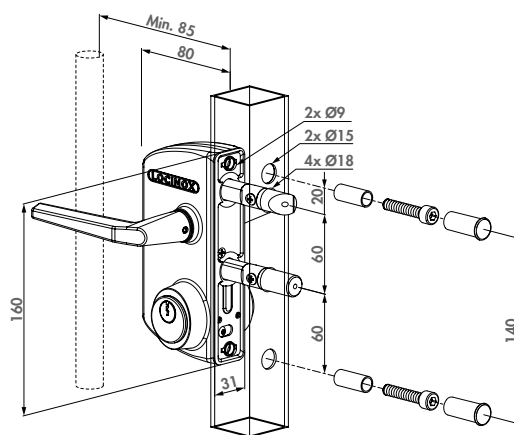


### Lock box color options

ZILV 9005

### Specifications

- ✔ ISO 9227 KTL / E-coated lock box withstands 1000 hours of salt spray test
- ✔ Lock for 29 mm length Mortise profile cylinder (Schlage Keyway & Adams Rite Cam)
- ✔ Fixing cylinder inch thread 6 mm
- ✔ Easy left or right changing of the self-latching daybolt
- ✔ 23 mm throw of the dead bolt, in 1 turn of the key
- ✔ Key-operated self-latching bolt
- ✔ Continuous adjustment of 10 mm for the bolts without removing the lock
- ✔ 4-hole fixing with two hexagon socket head screws
- ✔ Interchangeable with all Locinox locks
- ✔ 80 mm lock box width



Locks for swing gates

### Recommended keeps



SHKL QF  
P. 99



SAKL QF  
P. 99



MODULEC-SA  
P. 98

### Order code

For square profiles

**LUKY3030 J5L** Adjustable from 30 mm to 40 mm

**LUKY4040 J5L** Adjustable from 40 mm to 50 mm

**LUKY5050 J5L** Adjustable from 50 mm to 60 mm

**LUKY6060 J5L** Adjustable from 60 mm to 70 mm

For flat profiles

**LUPY1010 J5L** Adjustable from 10 mm to 20 mm

**LUPY2020 J5L** Adjustable from 20 mm to 30 mm



### Recommended handles



3006M  
P. 179



3006FA  
P. 178



3006B  
P. 179

### Accessories



ROLLTOP  
P. 166



LOCITOOL LA  
P. 166



MRT-118  
P. 195



DRILL-FIX  
P. 163



## Surface mounted double cylinder gate lock for swing gates

LDKZ D1

High-quality swing gate lock with aluminium housing and stainless steel mechanism with 2 cylinders. You only need to use 1 of the cylinders in order to open or to close the lock. This lock is ideal to provide entry to third parties like firemen or waste collectors. The double locking of the solid stainless steel night bolt ensures a secure closing. For a fast and highly precise installation, we recommend using the Drill-Fix drilling jig.

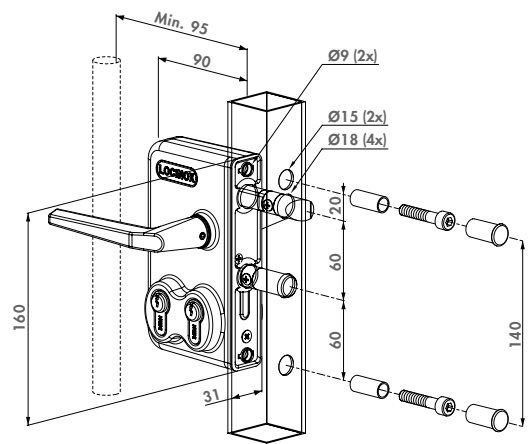


### Lock box color options

ZILV 6005 7016 9005

### Specifications

- ✓ ISO 9227 KTL / E-coated lock box withstands 1000 hours of salt spray test
- ✓ For gate profiles from 10 to 100 mm
- ✓ Stainless steel mechanism
- ✓ Non-adjustable day and night bolt
- ✓ Easy left or right changing of the self-latching daybolt
- ✓ Double throw of the night bolt 23 mm
- ✓ Key-operated self-latching bolt
- ✓ 4-hole fixing with two hexagon socket head screws
- ✓ Interchangeable with all Locinox locks



### Recommended keeps



SAKL QF  
P. 99



SHKL QF  
P. 99



MODULEC-SA  
P. 98

### Order codes

For square profiles

<b>LDKZ3030 D1L</b>	For profiles of 30 mm
<b>LDKZ4040 D1L</b>	For profiles of 40 mm
<b>LDKZ5050 D1L</b>	For profiles of 50 mm
<b>LDKZ6060 D1L</b>	For profiles of 60 mm
<b>LDKZ8080 D1L</b>	For profiles of 80 mm
<b>LDKZ100100 D1L</b>	For profiles of 100 mm

For round profiles

<b>LDRZ3030 D1L</b>	For profiles of 30 mm
<b>LDRZ4040 D1L</b>	For profiles of 40 mm
<b>LDRZ5050 D1L</b>	For profiles of 50 mm
<b>LDRZ6060 D1L</b>	For profiles of 60 mm

For flat profiles

<b>LDPZ1010 D1L</b>	For profiles of 10 mm
---------------------	-----------------------



### Cylinders and accessories



3012-POC-  
P. 192



3071-  
P. 195



DRILL-FIX  
P. 163



3970LA  
P. 162



## Surface mounted anti-panic gate lock

LPKQ U2

Stainless steel superior anti-panic lock with aluminium housing. EN179 certified configuration possible with LPKQ U2 for 40 & 60 mm gate frames with SAKL keep, 3006A-2 handle and 3012-54-STD- cylinder. Escape or exit from inside is possible at all times by operating the handle. Mechanical access from the outside is always possible by operating the cylinder. The 20 mm continuous adjustability of the bolts allows a perfect latching / locking of the mechanism. A solid stainless steel deadbolt with a 23 mm throw guarantees a secure locking. For a fast and highly precise installation, we recommend using the Drill-Fix drilling jig.

**EN 179**

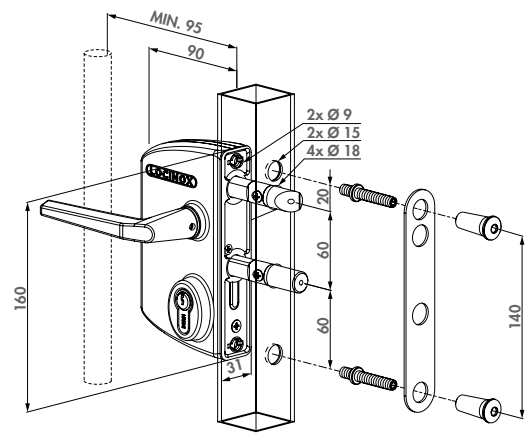


### Lock box color options

ZILV 6005 6009 7016 9005 9010

### Specifications

- ✔ ISO 9227 KTL / E-coated lock box withstands 1000 hours of salt spray test
- ✔ Easy left or right changing of the self-latching daybolt
- ✔ 23 mm throw of the dead bolt, in 1 turn of the key
- ✔ Key-operated self-latching bolt
- ✔ 4-hole fixing with two hexagon socket head screws
- ✔ 60 mm center distance of the bolts
- ✔ Continuous adjustment of the daybolt up to 20 mm without dismounting the lock box
- ✔ Stainless steel mechanism
- ✔ Tested up to 500.000 movements
- ✔ EN179 certified configuration available
- ✔ Panic function E / Switch function



Locks for swing gates

### Recommended keeps



SAKL QF  
P. 99



SHKL QF  
P. 99



MODULEC-SA  
P. 98

### Order codes

For square profiles

<b>LPKQ4040 U2L</b>	Adjustable from 40 mm to 60 mm
<b>LPKQ6060 U2L</b>	Adjustable from 60 mm to 80 mm
<b>LPKQ8080 U2L</b>	Adjustable from 80 mm to 100 mm
<b>LPKQ100100 U2L</b>	Adjustable from 100 mm to 120 mm



### Recommended handles



PUSHBAR-L  
P. 175



3006PUSH  
P. 174



3006A-2  
P. 178



SHROUD-LA-  
P. 185

### Accessories



ROLLTOP  
P. 166



3970LA  
P. 162



LOCITOOL LA  
P. 166



DRILL-FIX  
P. 163



COMING SOON

## VALENTINO - Surface mounted battery powered code lock

LOKQ Y2 (Patent pending)

High quality battery powered electronic code lock with aluminium housing. Valentino's energy efficient design makes it very easy to equip any gate with access control, with a minimal need for maintenance. Pincodes can be easily added, modified or removed. The 20 mm continuous adjustability of the bolts allows a perfect latching / locking of the mechanism.

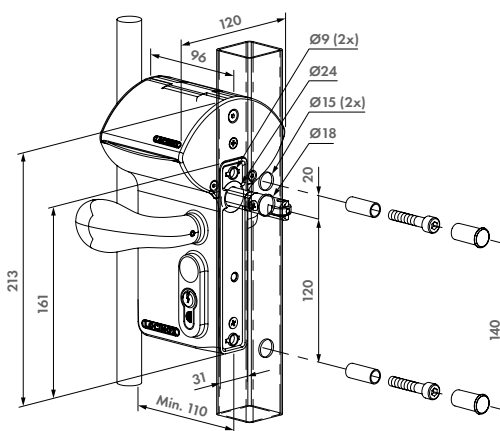


### Color options

6005 9005 ZILV

### Specifications

- ✔ ISO 9227 KTL / E-coated lock box withstands 1000 hours of salt spray test
- ✔ Weather protected illuminated electronic code panel on both sides
- ✔ Extremely strong and vandal proof design
- ✔ Energy efficient, with up to 150,000 open/close cycles on same set of batteries
- ✔ Operates on batteries, battery pack included
- ✔ Easy and fast set-up or modification of the access codes
- ✔ Low battery warning light
- ✔ Support for free-exit, pushbar, and code controlled handles
- ✔ Key-operated unlocking and programming functionality
- ✔ Supports permanently open codes
- ✔ Different entrance and exit codes possible



Locks for swing gates

### Recommended keeps



SAKL QF  
P. 99



SHKL QF  
P. 99

### Order codes

For square profiles

**LOKQ3030 Y2L** Adjustable from 30 mm to 50 mm

**LOKQ4040 Y2L** Adjustable from 40 mm to 60 mm

**LOKQ6060 Y2L** Adjustable from 60 mm to 80 mm

For round profiles

**LORQ3030 Y2L** Adjustable from 30 mm to 50 mm

**LORQ4040 Y2L** Adjustable from 40 mm to 60 mm

**LORQ6060 Y2L** Adjustable from 60 mm to 80 mm



### Recommended handles



3006C  
P. 179



3006I  
P. 180



3006D  
P. 180

### Compatible with every gate closer



SAMSON-2  
P. 18



VERTICLOSE-2  
P. 22



MAMMOTH-180  
P. 14



TIGER  
P. 13



## VINCI - Surface mounted mechanical code lock

LMKQ V2 (Patented)

High quality mechanical code lock with aluminium housing and stainless steel mechanism. The Vinci requires no batteries nor electricity, which makes it very easy to equip any gate with access control. The 20 mm continuous adjustability of the bolts allows a perfect latching / locking of the mechanism. A solid stainless steel deadbolt with a 23 mm throw guarantees a secure locking. For a fast and highly precise installation, we recommend using the Drill-Fix drilling jig.

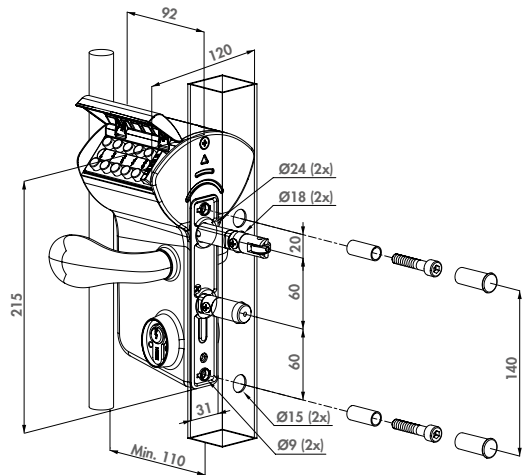


### Lock box color options

ZILV 6005 7016 9005

### Specifications

- ✓ ISO 9227 KTL / E-coated lock box withstands 1000 hours of salt spray test
- ✓ Mechanical code panel on both sides
- ✓ Possibility to work with different entrance and exit codes
- ✓ Polyamide rain and dust cover
- ✓ Easy and fast set-up or modification of the access codes
- ✓ With adjustable rollerbolt for easy closing
- ✓ Extremely strong and user-friendly mechanism
- ✓ Automatic code reset after pushing the handle
- ✓ Anti-code detection with integrated security press plate
- ✓ Interchangeable with all Locinox locks



### Recommended keeps



SAKL QF  
P. 99

SHKL QF  
P. 99

### Order codes

For square profiles

**LMKQ3030 V2L** Adjustable from 30 mm to 50 mm

**LMKQ4040 V2L** Adjustable from 40 mm to 60 mm

**LMKQ6060 V2L** Adjustable from 60 mm to 80 mm

For round profiles

**LMRQ3030 V2L** Adjustable from 30 mm to 50 mm

**LMRQ4040 V2L** Adjustable from 40 mm to 60 mm

**LMRQ6060 V2L** Adjustable from 60 mm to 80 mm

For flat profiles

**LMPQ1010 V2L** Adjustable from 10 mm to 30 mm



### Recommended handles



3006C  
P. 179



3006I  
P. 180



3006D  
P. 180

### Compatible with every gate closer



SAMSON-2  
P. 18



VERTICLOSE-2  
P. 22



MAMMOTH-180  
P. 14



TIGER  
P. 13

## FREE VINCI - Surface mounted mechanical code lock with secured entrance and free exit

LFKQ X1 (Patented)



Superb mechanical code lock with aluminium housing and stainless steel mechanism. The Free Vinci offers you the possibility to secure one side with a code for entrance while leaving the other side free for exit. No batteries nor electricity are required, which makes it very easy to equip any gate with access control. The 20 mm continuous adjustability of the bolt allows a perfect latching / locking of the mechanism. For ornamental and chain link gates. For a fast and highly precise installation, we recommend using the Drill-Fix drilling jig.

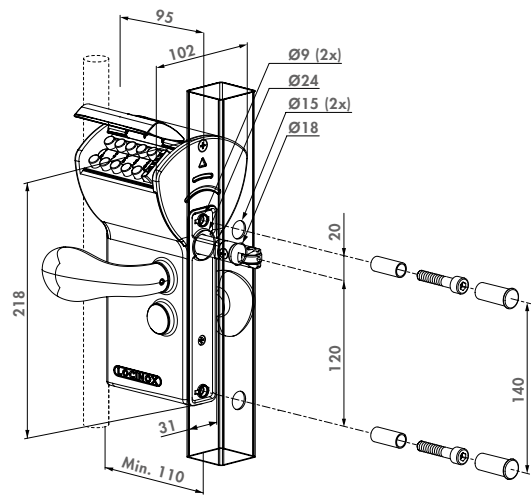


### Lock box color options

ZILV 6005 9005

### Specifications

- ✓ ISO 9227 KTL / E-coated lock box withstands 1000 hours of salt spray test
- ✓ Entrance secured by code, free exit
- ✓ Code panel with stainless steel push buttons on one side
- ✓ Polyamide rain and dust cover
- ✓ Easy and fast set-up or modification of the access codes
- ✓ With adjustable rollerbolt for easy closing
- ✓ Extremely strong and user-friendly mechanism
- ✓ Automatic code reset after pushing the handle
- ✓ Anti-code detection with integrated security press plate
- ✓ Interchangeable with all Locinox locks



Locks for swing gates

### Recommended keeps



SAKL QF  
P. 99



SHKL QF  
P. 99

### Order codes

For square profiles

**LFKQ3030 X1L** Adjustable from 30 mm to 50 mm

**LFKQ4040 X1L** Adjustable from 40 mm to 60 mm

**LFKQ6060 X1L** Adjustable from 60 mm to 80 mm

For round profiles

**LFRQ3030 X1L** Adjustable from 30 mm to 50 mm

**LFRQ4040 X1L** Adjustable from 40 mm to 60 mm

**LFRQ6060 X1L** Adjustable from 60 mm to 80 mm

For flat profiles

**LFPQ1010 X1L** Adjustable from 10 mm to 30 mm



### Accessories



PUSHBAR-L  
P. 175



3006PUSH  
P. 174



SHROUD-LF-  
P. 185

# i Sets

Locinox supports you in your logistic process. Select and compose your own gate hardware set and avoid stock ruptures or false deliveries of gate components to your customers. The set components are all together and, above all, packed in a robust and weatherproof box. If you wish, your logo can be put on the box for a maximal support of your brand. We will be glad to add your manuals or any other information according to your needs.



100% modular



Time-saving



No research work

## Garden gate - box set



## 1 gate wing - foil set



## 2 gate wings - foil set



## Surface mounted electric gate lock with Fail Open functionality

LEKQ U4 (Patented)

High quality electrical lock with aluminium housing and stainless steel mechanism. The handles are blocked when the lock is powered. The 20 mm continuous adjustability of the bolts allows a perfect latching / locking of the mechanism. A solid stainless steel deadbolt with a 23 mm throw guarantees a secure locking. For a fast and highly precise installation, we recommend using the Drill-Fix drilling jig.

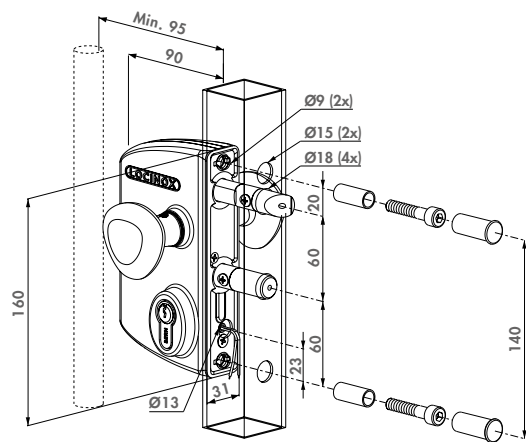


### Lock box color options

ZILV 6005 6009 7016 9005 9010

### Specifications

- ✔ ISO 9227 KTL / E-coated lock box withstands 1000 hours of salt spray test
- ✔ Fail Open: Lock is open when power is interrupted
- ✔ Blocking or releasing of the handles
- ✔ Easy left or right changing of the self-latching daybolt
- ✔ 23 mm throw of the dead bolt, in 1 turn of the key
- ✔ Key-operated self-latching bolt
- ✔ Continuous adjustment of the daybolt up to 20 mm without dismounting the lock box
- ✔ 4-hole fixing with two hexagon socket head screws
- ✔ Interchangeable with all Locinox locks
- ✔ Voltage: 12V AC/DC
- ✔ Current: 0,3A



Locks for swing gates

### Recommended keeps



SAKL QF  
P. 99



SHKL QF  
P. 99

### Order codes

For square profiles

**LEKQ3030 U4L** Adjustable from 30 mm to 50 mm

**LEKQ4040 U4L** Adjustable from 40 mm to 60 mm

**LEKQ6060 U4L** Adjustable from 60 mm to 80 mm

For round profiles

**LERQ3030 U4L** Adjustable from 30 mm to 50 mm

**LERQ4040 U4L** Adjustable from 40 mm to 60 mm

**LERQ6060 U4L** Adjustable from 60 mm to 80 mm



### Recommended handles & Cable guiding



3006R  
P. 180



DVK  
P. 46



DVK-HD  
P. 47

### Recommended power supplies



DC-ACCESS-12V-20W  
P. 48



AC-TRANS-12V-25W  
P. 47



DC-POWER-12V-20W  
P. 48



## Surface mounted electric gate lock with Fail Close functionality

LIKQ U2 (Patented)

Electric gate lock made of excellent quality with aluminium housing and stainless steel mechanism. This gate lock blocks the handles when there is no power (Fail Close). The 20 mm continuous adjustability of the bolts allows a perfect latching / locking of the mechanism. A solid stainless steel deadbolt with 23 mm throw guarantees a secure closure. For a fast and highly precise installation, we recommend using the Drill-Fix drilling jig.

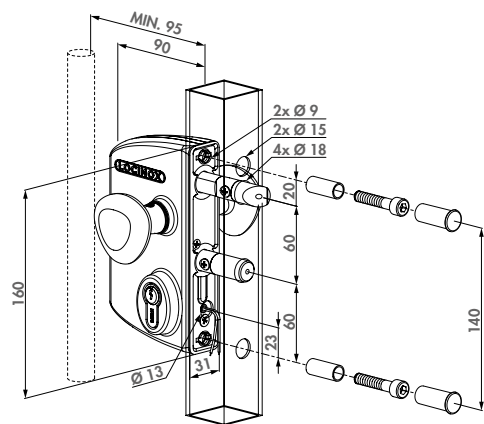


### Lock box color options

ZILV 6005 6009 7016 9005 9010

### Specifications

- ✔ ISO 9227 KTL / E-coated lock box withstands 1000 hours of salt spray test
- ✔ Fail Close: Lock is closed when power is interrupted
- ✔ Blocking or releasing of the handles
- ✔ Easy left or right changing
- ✔ 23 mm throw of the dead bolt, in 1 turn of the key
- ✔ Key-operated self-latching bolt
- ✔ Continuous adjustment of the daybolt up to 20 mm without dismantling the lock box
- ✔ 4-hole fixing with two hexagon socket head screws
- ✔ Voltage: 12V AC/DC
- ✔ Current: 0,3A



Locks for swing gates

### Recommended keeps



SAKL QF  
P. 99



SHKL QF  
P. 99

### Order codes

For square profiles

**LIKQ3030 U2L** Adjustable from 30 mm to 50 mm

**LIKQ4040 U2L** Adjustable from 40 mm to 60 mm

**LIKQ6060 U2L** Adjustable from 60 mm to 80 mm

For round profiles

**LIRQ3030 U2L** Adjustable from 30 mm to 50 mm

**LIRQ4040 U2L** Adjustable from 40 mm to 60 mm

**LIRQ6060 U2L** Adjustable from 60 mm to 80 mm



### Recommended handles & Cable guiding



3006R  
P. 180



DVK  
P. 46



DVK-HD  
P. 47

### Recommended power supplies



DC-ACCESS-12V-20W  
P. 48



AC-TRANS-12V-25W  
P. 47



DC-POWER-12V-20W  
P. 48



## Small surface mounted ornamental gate lock

LAKY F2 (Patented)

Quality ornamental lock with aluminium housing and stainless steel mechanism. We advise this lock as a standard for all your ornamental gates. The 10 mm continuous adjustability of the bolts allows a perfect latching / locking of the mechanism. A solid stainless steel deadbolt with a 23 mm throw guarantees a secure locking. Standard supplied with zamac ornamental handle pair. For a fast and highly precise installation, we recommend using the Drill-Fix drilling jig.

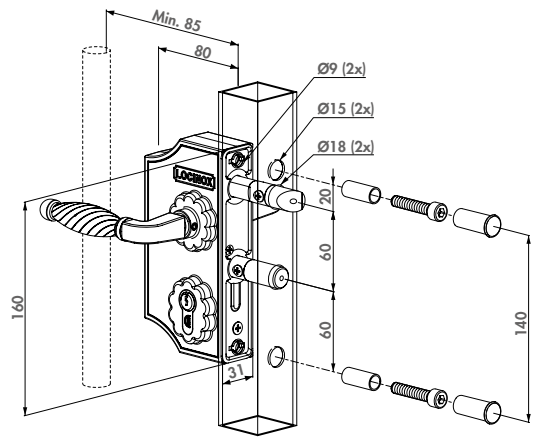


### Lock box color options

ZILV 6005 6009 7016 9005 9010

### Specifications

- ✓ ISO 9227 KTL / E-coated lock box withstands 1000 hours of salt spray test
- ✓ Easy left or right changing of the self-latching daybolt
- ✓ 23 mm throw of the dead bolt, in 1 turn of the key
- ✓ Continuous adjustment of 10 mm for the bolts without removing the lock
- ✓ Key-operated self-latching bolt
- ✓ 4-hole fixing with two hexagon socket head screws
- ✓ 60 mm center distance of the bolts



### Recommended keeps



SPKZ QF  
P. 102



SPKZ-TK  
P. 102



MODULEC-SA  
P. 98

### Order codes

For square profiles

**LAKY3030 F2L** Adjustable from 30 mm to 40 mm

**LAKY4040 F2L** Adjustable from 40 mm to 50 mm

**LAKY5050 F2L** Adjustable from 50 mm to 60 mm

For round profiles

**LARY3030 F2L** Adjustable from 30 mm to 40 mm

**LARY4040 F2L** Adjustable from 40 mm to 50 mm

**LARY5050 F2L** Adjustable from 50 mm to 60 mm

For flat profiles

**LAPY1010 F2L** Adjustable from 10 mm to 20 mm



### Compatible handles



3006FA  
P. 178



3006I  
P. 180



KIDLOC  
P. 171



3006B  
P. 179

### Ornamental hinges



G-ORNA-LR  
P. 132



G-ORNA-WP  
P. 132

## Large surface mounted ornamental gate lock

LAKQ H2 (Patented)

Excellent ornamental lock with aluminium housing and stainless steel mechanism. We advise this lock as a standard for all your ornamental gates. The 20 mm continuous adjustability of the bolts allows a perfect alignment of your locking mechanism. A solid stainless steel deadbolt with a 23 mm throw guarantees a secure locking. Standard supplied with zamac ornamental handle pair. For a fast and highly precise installation, we recommend using the Drill-Fix drilling caliber.

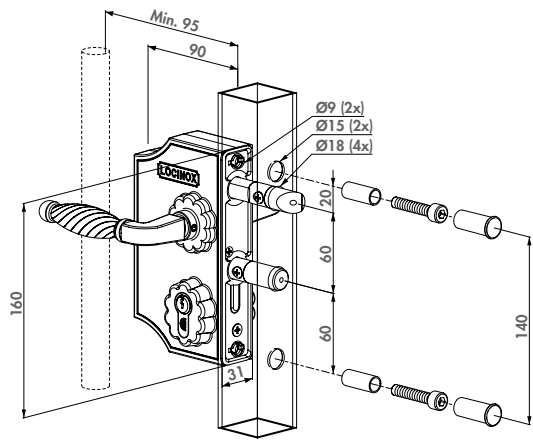


### Lock box color options

ZILV 6005 6009 7016 9005 9010

### Specifications

- ✓ ISO 9227 KTL / E-coated lock box withstands 1000 hours of salt spray test
- ✓ Easy left or right changing of the self-latching daybolt
- ✓ 23 mm throw of the dead bolt, in 1 turn of the key
- ✓ Continuous adjustment of the daybolt up to 20 mm without dismounting the lock box
- ✓ Key-operated self-latching bolt
- ✓ 4-hole fixing with two hexagon socket head screws
- ✓ 60 mm center distance of the bolts



Locks for swing gates

### Recommended keeps



SPKZ QF  
P. 102



SPKZ-TK  
P. 102



MODULEC-SA  
P. 98

### Order codes

For square profiles

**LAKQ3030 H2L** Adjustable from 30 mm to 50 mm

**LAKQ4040 H2L** Adjustable from 40 mm to 60 mm

**LAKQ6060 H2L** Adjustable from 60 mm to 80 mm

For round profiles

**LARQ3030 H2L** Adjustable from 30 mm to 50 mm

**LARQ4040 H2L** Adjustable from 40 mm to 60 mm

**LARQ6060 H2L** Adjustable from 60 mm to 80 mm

For flat profiles

**LAPQ1010 H2L** Adjustable from 10 mm to 30 mm



### Compatible handles



3006FA  
P. 178



3006D  
P. 180



KIDLOC  
P. 171



3006B  
P. 179

### Ornamental hinges



G-ORNA-LR  
P. 132



G-ORNA-WP  
P. 132



## Surface mounted garden gate lock

LAKZ P1

Economical garden/pedestrian gate lock with polyamide housing and stainless steel mechanism. This lock is advised as a standard for all your small gates. A solid stainless steel deadbolt with a 23 mm throw guarantees a secure locking. For a fast and highly precise installation, we recommend using the Drill-Fix drilling caliber.

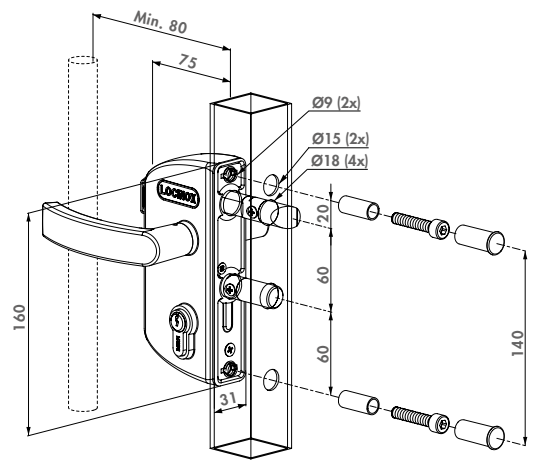


### Lock box color options

6005 6009 7016 7040 9005 9010

### Specifications

- ✓ Easy left or right changing of the self-latching daybolt
- ✓ 23 mm throw of the dead bolt, in 1 turn of the key
- ✓ 4-hole fixing with two hexagon socket head screws
- ✓ Polyamide lock box and handles
- ✓ 60 mm center distance of the bolts
- ✓ For 40 mm gate profiles only
- ✓ Interchangeable with all Locinox locks
- ✓ No key operation of the daybolt



### Recommended keeps



SMKL QF  
P. 100



SKRZ  
P. 100



SAKL QF  
P. 99

### Order codes

For square profiles

**LAKZ4040 P1L** For profiles of 40 mm

For round profiles

**LARZ4040 P1L** For profiles of 40 mm



### Recommended handles



3006P  
P. 180



3006G  
P. 180



KIDLOC  
P. 171

### Accessories



3006PC  
P. 101



3970LA  
P. 162



DRILL-FIX  
P. 163



ROLLTOP  
P. 166

## Surface mounted child safety lock

LAKZ P1 WSI (Patented)

Child safety gate lock with stainless steel mechanism and polyamide housing. This lock is conform to the swimming pool safety standard NF P90-306. The child safety lock prevents little children from accessing the pool. The unique rollerbolt facilitates the closing of the gate. For a fast and highly precise installation, we recommend using the Drill-Fix drilling jig.

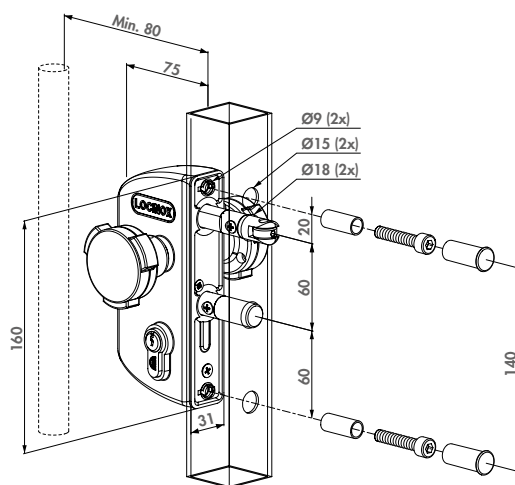


### Lock box color options

6005 6009 7016 7040 9005 9010

### Specifications

- ✔ Stainless steel lock mechanism
- ✔ Polyamide lock box
- ✔ With adjustable rollerbolt for easy closing
- ✔ With Kidloc: child safety handle for swimming pools
- ✔ A complete package including a high-quality stainless steel lock in combination with a security knob and a stainless steel rollerbolt conforms to swimming pool standard NF P90-306



### Recommended keeps



SMKL QF  
P. 100

SKRZ  
P. 100

### Order codes

LAKZ4i4i P1L WSI For profiles of 40 mm

LAKZ5i5i P1L WSI For profiles of 50 mm

### Recommended gate closers



TIGER  
P. 13



MAMMOTH-180  
P. 14



LION  
P. 20



SWING40  
P. 140

### Accessories



KIDLOC  
P. 171



ROLLTOP  
P. 166



3970LA  
P. 162



DRILL-FIX  
P. 163





## Sleek & sturdy child safe magnetic latch for pools & parks

FORTIMA- (Patented)

The Fortima is a magnetic child-safe gate latch that ensures safety, security and ease of entrance for single leaf gates. Fortima's patented internal leverage allows for smooth opening and, with its unmatched magnetic force, closes securely. The anodized aluminium and powder coated components make the Fortima as attractive as it is functional. Installation is easy on a wide range of gate materials and being compatible with most international code requirements, the Fortima can be rekeyed to match any existing lock.

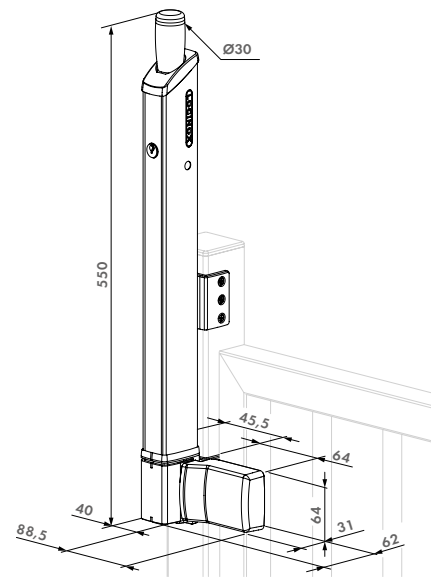


### Color options

**9005**

### Specifications

- ✔ Unique and extremely durable patented design with anodized aluminium housing
- ✔ Strongest magnetic force on the market: magnetic distance of 30 mm (2x industry standard!)
- ✔ Tested up to 2 million cycles - Limited Lifetime Warranty!
- ✔ Rekeyable to match any lock: Schlage-C Key-in-knob cylinder (5pin, drilled 6pin)
- ✔ Full vertical adjustability and 25 mm horizontal adjustability - a gap of 10 mm up to 45 mm
- ✔ Push down prevention: only opens when magnet is pulled up, adding additional security
- ✔ Perfect for metal, vinyl or wooden gates, available for round (R) and square (K) posts



### Compatible cylinders



**KIK-114-**  
P. 194

**3012-54-STD**  
P. 192

### Order codes

<b>FORTIMA-SD-K</b>	Child safe magnetic latch, with KIK cylinder and self-drilling screws for square posts
<b>FORTIMA-SD-R</b>	Child safe magnetic latch, with KIK cylinder and self-drilling screws for round posts
<b>FORTIMA-QF</b>	Child safe magnetic latch, with Europrofile cylinder and Quick-Fix bolts for square posts



### Compatible gate closers



**TIGER**  
P. 13



**SERVAL**  
P. 25



**CARACAL**  
P. 24



**SWING40**  
P. 140

## Sleek and sturdy child safe magnetic latch for pools and parks

GUARDIMA- (Patented)

The GuardiMa is a magnetic child-safe gate latch ensuring safety and security for single leaf gates. GuardiMa is installed on the gate and its patented internal leverage allows for smooth opening and closing, thanks to its unmatched magnetic force. The anodized aluminium and powder coated components make the GuardiMa as attractive as it is functional, adding elegance and value to your pool, park, playground or back yard. Thanks to Quick-Fix, installation is easy and firmly on a wide range of gate materials and is compatible with most international code requirements.

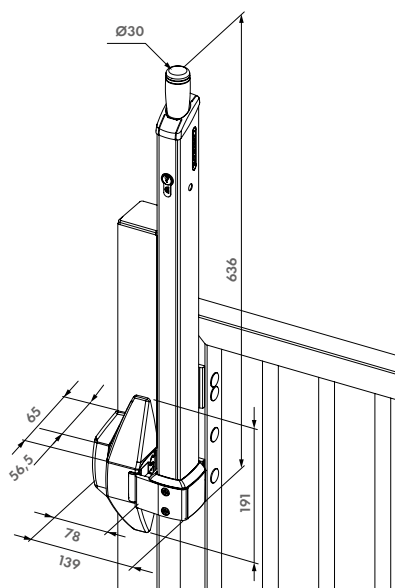


### Color options

**9005**

### Specifications

- ✔ Magnetic latch installed on the gate
- ✔ Extreme weather resistance in any climate
- ✔ Unique and extremely durable patented design with anodized aluminium housing
- ✔ Strongest magnetic force on the market: magnetic distance of 30 mm (2x industry standard!)
- ✔ Tested up to 2 million cycles
- ✔ Full 30 mm vertical adjustability and 30 mm horizontal adjustability - a gap of 15 mm up to 45 mm
- ✔ Push down prevention: only opens when magnet is pulled up, adding additional security
- ✔ Meets international standards for pool gates (always confirm with the respective authorities)



### Compatible cylinders



**3012-54-STD**

P. 192

### Order codes

**GUARDIMA-FM** Sleek and sturdy child safe magnetic latch for pools and parks - Flush mounted

### Compatible gate closers



**TIGER**  
P. 13



**SERVAL**  
P. 25



**CARACAL**  
P. 24



**SWING40**  
P. 140



## Swimming pool gate lock

TWIST40 (Patented)

High quality swimming pool gate lock with stainless steel mechanism and black PA and powder coated aluminium housing. This lock is conform to the swimming pool safety standard NF P90-306. The Twist has a two-handling operation which prevents the access to the pool for little children. The unique rollerbolt facilitates the closing of the gate.

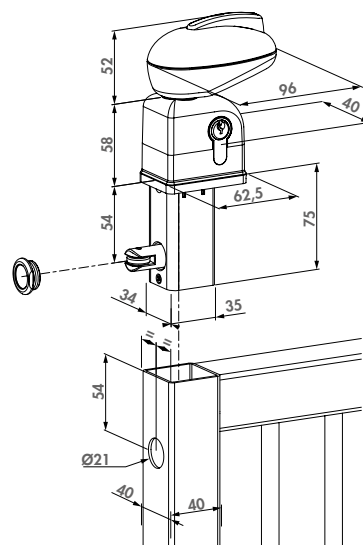


### Lock box color options

9005 9010

### Specifications

- ✔ Stainless steel lock mechanism
- ✔ Stainless steel rollerbolt facilitating the closing of the gate
- ✔ We strongly advise you to read the swimming pool safety standard NF P90-306 before manufacturing any swimming pool gate
- ✔ For 40 mm gate profiles only
- ✔ Maximum profile thickness: 2 mm



### Recommended keeps



STK QF  
P. 104



STR60 QF  
P. 104

### Order code

**TWIST40** For profiles of 40 mm



### Recommended gate closers



CARACAL  
P. 24



TIGER  
P. 13



VERTICLOSE-2  
P. 22



SWING40  
P. 140

### Compatible hinges



SERVAL  
P. 25



GBM 12  
P. 141



GBM12-DP  
P. 141



GBM 16-DP  
P. 142



## LEONARDO Mechanical code lock for sliding gates

LLKZ V2 (Patented)

Mechanical code lock for sliding gates with aluminium housing and stainless steel mechanism. Since no electricity nor batteries are required, the mechanical code lock gives you the opportunity to equip any sliding gate fast and easily with access control. The unique Twistfinger and conforming auto-correcting keep guarantees a perfect closing of your sliding gate.

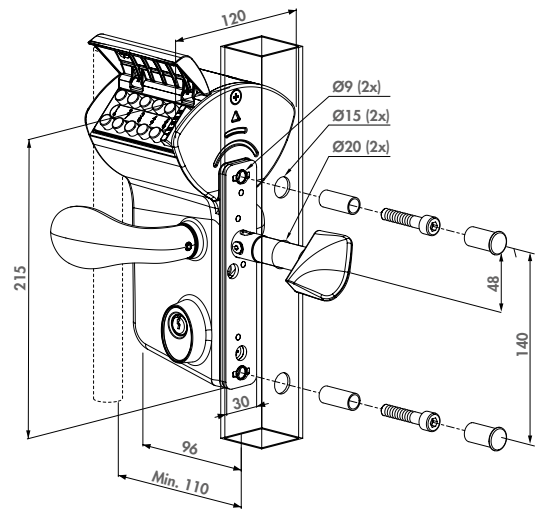


### Lock box color options

ZILV 6005 7016 9005

### Specifications

- ✔ 100% mechanical: no battery nor electricity required
- ✔ Adjustable for horizontal or vertical mounting of the keep (catch bolt)
- ✔ Mechanical code panel on both sides
- ✔ Possibility to work with different entrance and exit codes
- ✔ Equipped with dust and rain covers
- ✔ Easy and fast set-up or modification of the access codes
- ✔ Possibility of setting up 4 to 6 digit codes
- ✔ Extremely strong and user-friendly mechanism
- ✔ Automatic code reset after pushing the handle
- ✔ Anti-code detection with integrated security press plate
- ✔ Stainless steel collar around the Twistfinger prevents cutting through the Twistfinger (catchbolt)



Locks for sliding gates

### Recommended keep and adapter case



SSKZ QF  
P. 103



O-SET  
P. 103



### Order codes

For square profiles

<b>LLKZ4040 V2L</b>	For profiles of 40 mm
<b>LLKZ5050 V2L</b>	For profiles of 50 mm
<b>LLKZ6060 V2L</b>	For profiles of 60 mm
<b>LLKZ8080 V2L</b>	For profiles of 80 mm
<b>LLKZ100100 V2L</b>	For profiles of 100 mm
<b>LLKZ120120 V2L</b>	For profiles of 120 mm

For round profiles

<b>LLRZ4040 V2L</b>	For profiles of 40 mm
<b>LLRZ5050 V2L</b>	For profiles of 50 mm
<b>LLRZ6060 V2L</b>	For profiles of 60 mm
<b>LLRZ8080 V2L</b>	For profiles of 80 mm
<b>LLRZ100100 V2L</b>	For profiles of 100 mm
<b>LLRZ120120 V2L</b>	For profiles of 120 mm

### Recommended accessories



3970LS  
P. 162



DRILLØ15  
P. 162



LOCITOOL LA  
P. 166



## Surface mounted sliding gate lock

LSKZ U2 (Patented)

First-grade lock for manual sliding gates with aluminium housing and stainless steel mechanism. The unique Twistfinger and conforming self-correcting keep guarantees a perfect closing of your sliding gate. For a fast and highly precise installation, we recommend using the Drill-Fix drilling jig.

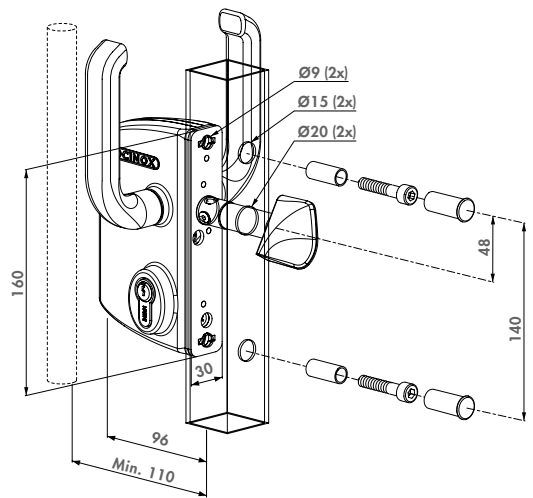


### Lock box color options

ZILV 6005 6009 7016 9005 9010

### Specifications

- ✓ ISO 9227 KTL / E-coated lock box withstands 1000 hours of salt spray test
- ✓ Mechanism and Twistfinger in stainless steel
- ✓ Adjustable for horizontal or vertical mounting of the keep (catch bolt)
- ✓ Fixing with 2 hexagon socket head screws
- ✓ Innovative closing system
- ✓ Stainless steel collar around the Twistfinger prevents cutting through the Twistfinger (catchbolt)
- ✓ Standard with reinforced aluminium handle pair
- ✓ 3006S: Square 10 mm follower



### Recommended keep and adapter case



SSKZ QF  
P. 103



O-SET  
P. 103

### Order codes

For square profiles

<b>LSKZ4040 U2L</b>	For profiles of 40 mm
<b>LSKZ5050 U2L</b>	For profiles of 50 mm
<b>LSKZ6060 U2L</b>	For profiles of 60 mm
<b>LSKZ8080 U2L</b>	For profiles of 80 mm
<b>LSKZ100100 U2L</b>	For profiles of 100 mm
<b>LSKZ120120 U2L</b>	For profiles of 120 mm

For round profiles

<b>LSRZ4040 U2L</b>	For profiles of 40 mm
<b>LSRZ6060 U2L</b>	For profiles of 60 mm
<b>LSRZ8080 U2L</b>	For profiles of 80 mm
<b>LSRZ100100 U2L</b>	For profiles of 100 mm
<b>LSRZ120120 U2L</b>	For profiles of 120 mm



### Recommended handle & accessories



3006S  
P. 179



3970LS  
P. 162



DRILLØ15  
P. 162



LOCITOOL LA  
P. 166



## Double cylinder lock

LGKZ D1

Industrial sliding gate lock with aluminium housing and stainless steel mechanism with 2 cylinders. You only need to use 1 of the cylinders in order to open or to close the lock. This is the perfect lock to provide entry to third parties like firemen or waste collectors.

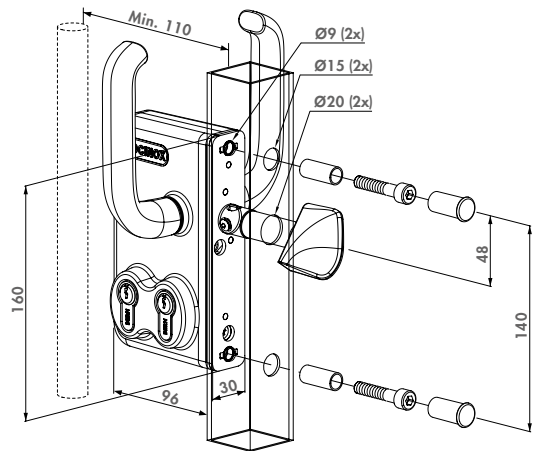


### Lock box color options

ZILV 6005 7016 9005

### Specifications

- ✓ ISO 9227 KTL / E-coated lock box withstands 1000 hours of salt spray test
- ✓ For gate profiles from 40 to 120 mm depth
- ✓ Mechanism and Twistfinger in stainless steel
- ✓ Adjustable for horizontal or vertical mounting of the keep (catch bolt)
- ✓ Innovative closing system
- ✓ Stainless steel collar around the Twistfinger prevents cutting through the Twistfinger (catchbolt)
- ✓ 3-hole fixing with two hexagon socket head screws
- ✓ Exchangeable with Locinox LS-Locks
- ✓ Standard with reinforced aluminium handle pair



Locks for sliding gates

### Recommended keeps



SSKZ QF  
P. 103



O-SET  
P. 103



### Order codes

For square profiles

<b>LGKZ4040 D1L</b>	For profiles of 40 mm
<b>LGKZ5050 D1L</b>	For profiles of 50 mm
<b>LGKZ6060 D1L</b>	For profiles of 60 mm
<b>LGKZ8080 D1L</b>	For profiles of 80 mm
<b>LGKZ100100 D1L</b>	For profiles of 100 mm
<b>LGKZ120120 D1L</b>	For profiles of 120 mm

For round profiles

<b>LGRZ4040 D1L</b>	For profiles of 40 mm
<b>LGRZ5050 D1L</b>	For profiles of 50 mm
<b>LGRZ6060 D1L</b>	For profiles of 60 mm
<b>LGRZ8080 D1L</b>	For profiles of 80 mm
<b>LGRZ100100 D1L</b>	For profiles of 100 mm
<b>LGRZ120120 D1L</b>	For profiles of 120 mm

### Cylinders and accessories



3012-POC-  
P. 192



3071-  
P. 195



3006S  
P. 179



## Insert lock with 20 mm backset for profiles of 40 mm or more

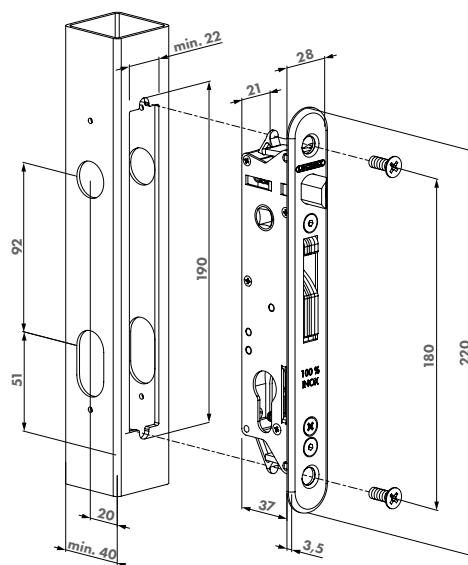
FORTYLOCK (Patented)

Insert lock with 100% stainless steel mechanism. The stainless steel adjustable self-latching bolt and hook combined with the right keep guarantee a strong and solid closed gate where the gate wings can not be pulled apart or forced open. The lock can be installed on metal, aluminium and PVC gates. Thanks to the patented "Click-It" system, installing the lock can be done in a matter of seconds.



### Specifications

- ✓ Lock mechanism with cover plate against dirt penetration
- ✓ Patented "Click-It" system makes thread tapping unnecessary
- ✓ Continuous adjustment of the daybolt up to 10 mm without dismantling the lock box
- ✓ Key-operated self-latching bolt
- ✓ Mechanism, hook, frontplate, latchbolt: stainless steel
- ✓ Easy left or right changing of the self-latching daybolt
- ✓ Throw of the hook: 21 mm
- ✓ Center-distance cylinder <=> handles = 92 mm
- ✓ Optional: cover shield for handle & cylinder holes in aluminium, polyamide or stainless steel
- ✓ Handles to be ordered separately
- ✓ Compatible with all Europrofile cylinders



### Recommended keeps



MODULEC-SF-  
P. 109



SFKO  
P. 107



SFKU  
P. 108

### Order code

Insert lock

**FORTYLOCK** For profiles of 40 mm



### Optional cover shields



3020-HYB-A2  
P. 90



3020-HYB-ALU-ZILV  
P. 90



3020-HYB-ALU-9005  
P. 90



3020-HYB-STD  
P. 90

### Recommended handles



3006M-H  
P. 181



3006J-H  
P. 181



3006B-H  
P. 181



3006FIX-  
P. 171



## Insert lock with 30 mm backset for profiles of 50 mm or more

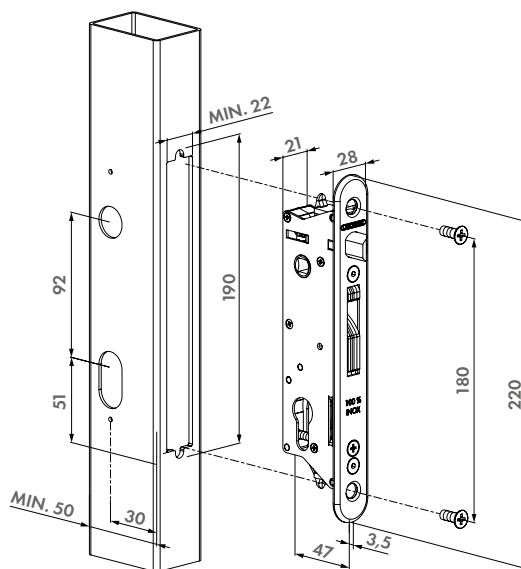
FIFTYLOCK (Patented)

Prime insert lock with 100% stainless steel mechanism. The stainless steel adjustable self-latching bolt and hook combined with the correct keep guarantee a strong and solid closed gate where the gate wings can not be pulled apart or forced open. The lock can be installed on metal, aluminium and PVC gates. Thanks to the patented "Click-It" system the lock is mounted in seconds.



### Specifications

- ✔ Stainless steel lock mechanism with cover plate against dirt penetration
- ✔ Mechanism, hook, frontplate, latchbolt: stainless steel
- ✔ Backset 30 mm, for mounting in profiles of 50 mm depth or more
- ✔ Continuous adjustment of the daybolt up to 10 mm without dismantling the lock box
- ✔ Key-operated self-latching bolt
- ✔ Easy left or right changing of the self-latching daybolt
- ✔ Throw of the hook: 21 mm
- ✔ Center-distance cylinder  $\leftrightarrow$  handles = 92 mm
- ✔ Compatible with all Europrofile cylinders
- ✔ Handles to be ordered separately
- ✔ Optional: cover shield for handle & cylinder holes in aluminium, polyamide or stainless steel



### Recommended keeps



SFKB  
P. 106



MODULEC-SF-  
P. 109



SFKM  
P. 108

### Order code

Insert lock

**FIFTYLOCK** Insert lock with 30 mm backset for profiles of 50 mm or more



### Optional cover shields



3020-HYB-A2  
P. 90



3020-HYB-STD  
P. 90



3020-HYB-ALU-9005  
P. 90



3020-HYB-ALU-ZILV  
P. 90

### Recommended handles



3006M-H  
P. 181



3006J-H  
P. 181



3006B-H  
P. 181



3006FIX-  
P. 171



## Insert lock with 40 mm backset for profiles of 60 mm or more

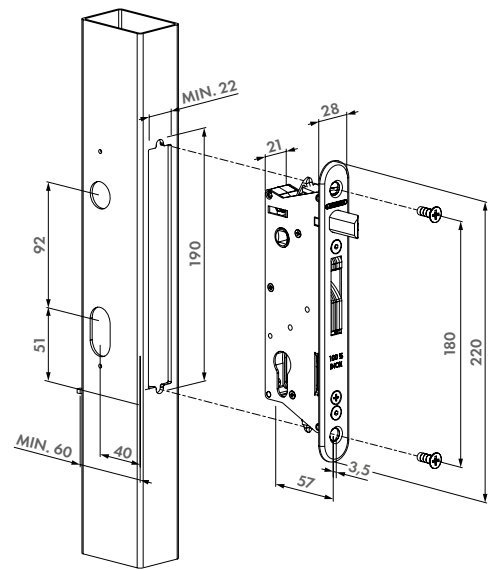
SIXTYLOCK (Patented)

Prime insert lock with 100% stainless steel mechanism. The stainless steel, adjustable self-latching bolt and hook combined with the right keep guarantee a strong and solid closed gate where the gate wings can not be pulled apart or forced open. The lock can be installed on metal, aluminium and PVC gates. Thanks to the patented "Click-It" system the lock is mounted in seconds.



### Specifications

- ✔ Stainless steel lock mechanism with cover plate against dirt penetration
- ✔ Mechanism, hook, frontplate, latchbolt: stainless steel
- ✔ Backset 40 mm, for mounting in profiles of 60 mm of depth or more
- ✔ Continuous adjustment of the daybolt up to 10 mm without dismantling the lock box
- ✔ Key-operated self-latching bolt
- ✔ Easy left or right changing of the self-latching daybolt
- ✔ Throw of the hook: 21 mm
- ✔ Center-distance cylinder  $\leftrightarrow$  handles = 92 mm
- ✔ Compatible with Europrofile cylinder
- ✔ Handles to be ordered separately
- ✔ Optional: cover shield for handle & cylinder holes in aluminium, polyamide or stainless steel



### Recommended keeps



SFKB  
P. 106



INTRALEC-  
P. 109



SFKM  
P. 108

### Order code

Insert lock

**SIXTYLOCK** Insert lock with 40 mm backset for profiles of 60 mm or more



### Optional cover shields



3020-HYB-A2  
P. 90



3020-HYB-STD  
P. 90



3020-HYB-ALU-9005  
P. 90



3020-HYB-ALU-ZILV  
P. 90

### Recommended handles



3006M-H  
P. 181



3006B-H  
P. 181



3006J-H  
P. 181



3006FIX-  
P. 171



## Insert lock with 60 mm backset for profiles of 80 mm or more

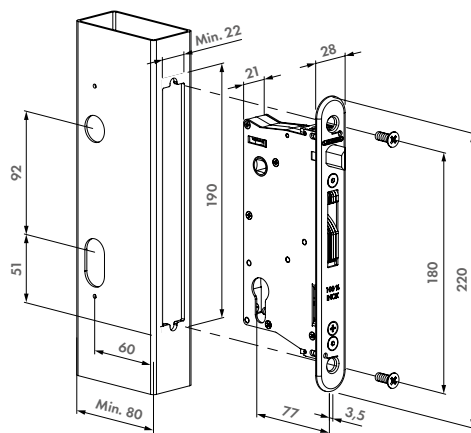
### EIGHTYLOCK

Prime insert lock with 100% stainless steel mechanism. The stainless steel, adjustable self-latching bolt and hook combined with the right keep guarantee a strong and solid closed gate where the gate wings can not be pulled apart or forced open. The lock can be installed on metal, aluminium, wooden and PVC gates. Thanks to the patented "Click-It" system the lock is mounted in seconds.



#### Specifications

- ✔ Stainless steel lock mechanism with cover plate against dirt penetration
- ✔ Mechanism, hook, frontplate, latchbolt: stainless steel
- ✔ Backset 60 mm, for mounting in profiles of 80 mm of depth or more
- ✔ Continuous adjustment of the daybolt up to 10 mm without dismantling the lock box
- ✔ Key-operated self-latching bolt
- ✔ Easy left or right changing of the self-latching daybolt
- ✔ Throw of the hook: 21 mm
- ✔ Center-distance cylinder  $\leftrightarrow$  handles = 92 mm
- ✔ Compatible with Europrofile cylinder
- ✔ Handles to be ordered separately
- ✔ Perfect for wooden gates



#### Recommended keeps



SFKM  
P. 108



MODULEC-SF-  
P. 109



INTRALEC-  
P. 109

#### Order codes

Insert lock

**EIGHTYLOCK-M** Insert lock with 60 mm backset for profiles of 80 mm or more for metal gates

**EIGHTYLOCK-W** Insert lock with 60 mm backset for profiles of 80 mm or more for wooden gates



#### Optional cover shields



3020-HYB-A2  
P. 90



3020-HYB-STD  
P. 90



3020-HYB-ALU-9005  
P. 90



3020-HYB-ALU-ZILV  
P. 90

#### Recommended handles



3006M-H  
P. 181



3006B-H  
P. 181



3006J-H  
P. 181



3006FIX-  
P. 171



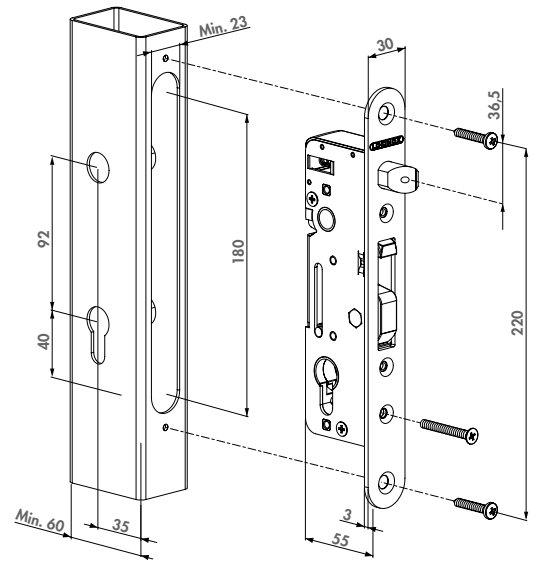
## Insert lock with 35 mm backset

H-METAL (Patented)

Insert lock made of high quality with 100% stainless steel mechanism. The massive stainless steel hook and adjustable latch bolt makes this a one of a kind lock. The combination of the hook (dead bolt) with the corresponding keep provides a secure anchoring of your gate. These locks can be used on metal or aluminium gates or with our fully prepared steel profiles.

### Specifications

- ✔ Easy left or right changing of the self-latching daybolt
- ✔ Key-operated self-latching bolt
- ✔ Adjustment of the latch bolt up to 20 mm continuous without dismantling the lock
- ✔ Mechanism, hook, frontplate, latchbolt: stainless steel
- ✔ Handles and cylinder to be ordered separately
- ✔ Throw of the hook: 33 mm
- ✔ Center-distance cylinder <=> handles = 92 mm
- ✔ Hook in combination with the Locinox keep provides a secure anchoring
- ✔ With coverplate for lock mechanism against dirt penetration
- ✔ Compatible with Europrofile cylinder
- ✔ Cover shield for handle & cylinder holes to be ordered separately



### Order code

Insert lock

**H-METAL** For profiles with a min. depth of 60 mm



## Complete, stainless steel insert lock set for metal and aluminium gates

H-METAL-SET

Complete set to equip your metal or aluminium gates with a 20 mm adjustable, stainless steel insert lock and adjustable keep.

### Specifications

- ✔ Complete set with lock, keep, cover plates, handles and cylinder
- ✔ Stainless steel or polyamide front cover shields

### Order codes

**H-METAL-SET-54-I** Stainless steel handle and 54 mm cylinder

**H-METAL-SET-54-M** Aluminium handle and 54 mm cylinder

**H-METAL-SET-80-I** Stainless steel handle and 80 mm cylinder

**H-METAL-SET-80-M** Aluminium handle and 80 mm cylinder



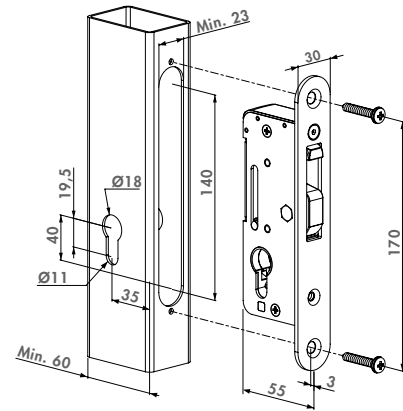
## Handleless stainless steel insert lock with hook

H-COMPACT (Patented)

Quality 100% stainless steel insert lock with hook for a mechanical closure of (automated) sliding gates. The absence of handles prevents people from climbing over the fence with the handle as a step.

### Specifications

- ✔ Insert lock with a backset of 35 mm
- ✔ Suitable for swing and sliding gates
- ✔ Mechanism, hook, front plate, chassis and all internal mechanical parts are a 100% stainless steel
- ✔ Throw of the hook: 33 mm
- ✔ Hook in combination with the Locinox keep provides a secure anchoring
- ✔ Without self-latching bolt
- ✔ (Removable) pin prevents lifting the hook from the keep
- ✔ With coverplate for lock mechanism against dirt penetration
- ✔ Compatible with all Europrofile cylinders



### Recommended keep



### Order code

**H-COMPACT** For profiles with a min. depth of 60 mm

**SHKM**  
P. 110



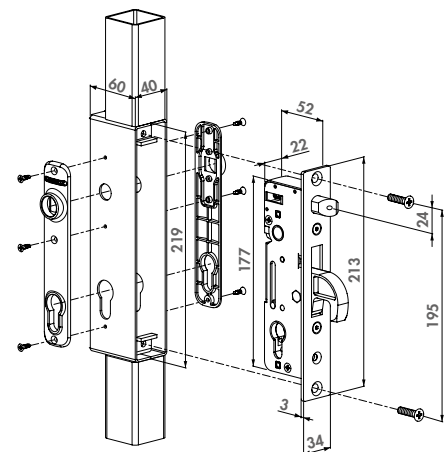
## Insert lock for welding box

H-METAL-WB (Patented)

Outstanding insert lock with 100% stainless steel mechanism. The massive stainless steel hook and adjustable self-latching bolt make this a one of a kind lock. The combination of the hook (dead bolt) with the corresponding keep provides a secure anchoring of your gate. These locks can be used on metal gates with our welding boxes.

### Specifications

- ✔ Insert lock with a backset of 35 mm
- ✔ Easy left or right changing of the self-latching daybolt
- ✔ Key-operated self-latching bolt
- ✔ Adjustment of the latch bolt up to 20 mm continuous without dismantling the lock
- ✔ Mechanism, hook, frontplate, latchbolt: stainless steel
- ✔ Throw of the hook: 33 mm
- ✔ Center-distance cylinder <=> handles = 92 mm
- ✔ Hook in combination with the Locinox keep provides a secure anchoring
- ✔ With coverplate for lock mechanism against dirt penetration
- ✔ Compatible with Europrofile cylinder
- ✔ Handles and cylinder to be ordered separately
- ✔ Cover shield for handle & cylinder holes to be ordered separately



### Recommended keeps



**SHKM**  
P. 111

**HWKB**  
P. 110

**SEH**  
P. 97

### Order code

**H-METAL-WB** For hybrid welding lock box - HWLB





## Complete insert lock set with keep for metal, PVC or aluminium gates FORTYSET

Complete set to equip your metal, PVC or aluminium gates with a 10 mm adjustable, stainless steel insert lock and keep.

### Specifications

- ✔ Complete set with lock, keep, cover plates, handles and cylinder
- ✔ 54 mm Europrofile cylinder with three keys

### Order codes

**FORTYSET-40I-GP** Fortylock + SFKI + 3020-HYB-STD + 3006G + 3012-54-STD-VSZ

**FORTYSET-40I-JA** Fortylock + SFKI + 3020-HYB-ALU + 3006J-H + 3012-54-STD-VSZ

**FORTYSET-40I-BA** Fortylock + SFKI + 3020-HYB-ALU-9005 + 3006B-H + 3012-54-STD-VSZ

**FORTYSET-40I-MA** Fortylock + SFKI + 3020-HYB-ALU + 3006M-H + 3012-54-STD-VSZ

**FORTYSET-40P-GP** Fortylock + SFKP + 3020-HYB-STD + 3006G + 3012-54-STD-VSZ

**FORTYSET-40P-JP** Fortylock + SFKP + 3020-HYB-STD + 3006J-H + 3012-54-STD-VSZ



## Complete Fiftylock insert set with keep for metal, PVC or aluminium gates FIFTYSET

Complete Fiftylock set to equip your metal, PVC or aluminium gates with a 10 mm adjustable, stainless steel insert lock and keep.

### Specifications

- ✔ Complete set with Fiftylock, keep, cover plates, handles and cylinder
- ✔ 54 mm Europrofile cylinder with three keys

### Order code

**FIFTYSET-50M-JA** Fiftylock + SFKM + 3020-HYB-ALU + 3006J-H + 3012-54-STD-VSZ



## Complete Sixtylock insert set with keep for metal, PVC or aluminium gates SIXTYSET

Complete Sixtylock set to equip your metal, PVC or aluminium gates with a 10 mm adjustable, stainless steel insert lock and keep.

### Specifications

- ✔ Complete set with Sixtylock, keep, cover plates, handles and cylinder
- ✔ 70 mm Europrofile cylinder with three keys

### Order code

**SIXTYSET-60M-JA** Sixtylock + SFKM + 3020-HYB-ALU + 3006J-H + 3012-80-STD-VSZ



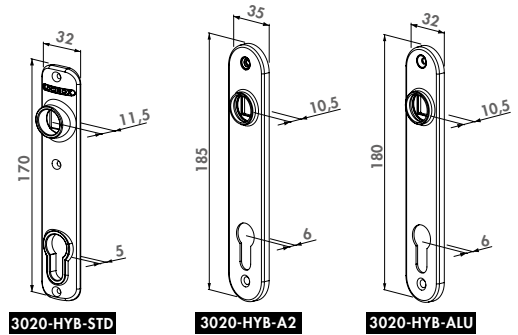
## Cover shield for insert locks

3020-HYB

Cover shield for handle & cylinder holes of Locinox insert locks. Available in aluminium, stainless steel or polyamide for an aesthetic finish. Screws included.

### Specifications

- ✓ Cover shield for handle & cylinder holes
- ✓ Standardised gate pattern: compatible with HWLB for Hybrid locks
- ✓ Available in polyamide, aluminium and stainless steel



### Compatible locks



H-METAL  
P. 86



FORTYLOCK  
P. 82



SIXTYLOCK  
P. 84



EIGHTYLOCK  
P. 85

### Order codes

<b>3020-HYB-A2</b>	Stainless steel cover shields for insert locks
<b>3020-HYB-ALU-9005</b>	Aluminium cover shields for insert locks - Black
<b>3020-HYB-ALU-ZILV</b>	Aluminium cover shields for insert locks - Silver
<b>3020-HYB-STD</b>	Polyamide cover shields for insert locks

## **NEW** Aluminium anodized cover plate for insert locks

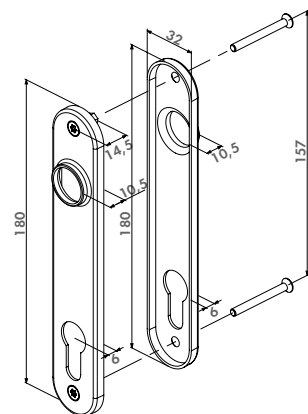
3025-HYB-

Aluminium anodized cover plate for handle hole and cylinder of Locinox insert locks. Attaches transversely through the post. Screws included.



### Specifications

- ✓ Cover plate for handle hole and cylinder
- ✓ Anodized aluminium



### Compatible locks



FORTYLOCK  
P. 82



FIFTYLOCK  
P. 83



SIXTYLOCK  
P. 84



EIGHTYLOCK  
P. 85

### Order code

<b>3025-HYB-ALU-4060-9005</b>	Aluminium anodized cover plate for insert locks
<b>3025-HYB-ALU-4060-ZILV</b>	Aluminium anodized cover plate for insert locks

**NEW** Set of cover plates for insert locks

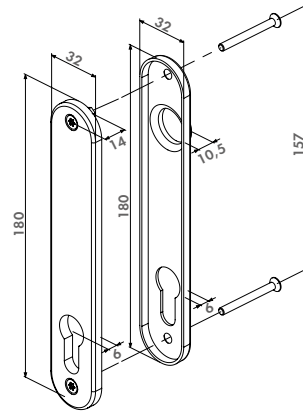
3025-HYB-BLIND-ALU



Set of cover plates for half handle and cylinder for Locinox insert locks. Attaches transversely through the post. Available in stainless steel and anodized aluminium. Screws included.

**Specifications**

- ✔ Cover plate for handle hole and cylinder
- ✔ Available in stainless steel or anodized aluminium
- ✔ Compatible with BAR-A and BAR-I



**Compatible locks**



**FORTYLOCK**  
P. 82



**FIFTYLOCK**  
P. 83



**SIXTYLOCK**  
P. 84



**EIGHTYLOCK**  
P. 85

**Order code**

- 3025-HYB-BLIND-ALU-9005** Set of cover plates for insert locks
- 3025-HYB-BLIND-ALU-ZILV** Set of cover plates for insert locks



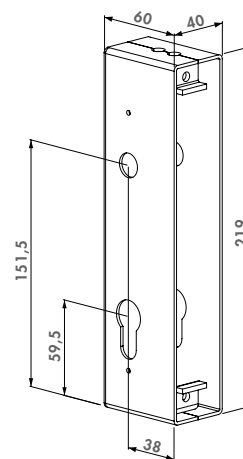
**Welding box for H-METAL-WB**

HWLB

Metal welding box for Hybrid lock.

**Specifications**

- ✔ Size: 60 x 40 x 219 mm (2 mm thickness)
- ✔ Black steel for welding



**Compatible lock and accessories**



**H-METAL-WB**  
P. 87



**3020-HYB-A2**  
P. 90



**3020-HYB-ALU-9005**  
P. 90



**3020-HYB-STD**  
P. 90

**Order code**

- HWLB** Black steel welding lock box for H-METAL-WB locks

# i Hardware for wooden gates

Wood is more popular than ever as a construction material in the gate and fence world. Wood lives and therefore it's important to know that **wood swells and shrinks** relative to weather changes. That is why here at Locinox we developed a **range of products for wooden gates** which make sure that your **gate always closes perfectly**, even after 10 years!



100% modular



Time-saving



Left/right reversible

## Single wing gate

### H-WOOD

100% stainless steel insert lock with a backset of 60 mm. The perfect solution for wooden gates. The adjustable self-latching bolt in combination with the stainless steel hook (dead bolt) provides an extra security.

### SHKW

Stainless steel keep for insert locks. This unique keep in combination with the lock ensures a strong gate anchoring. This configuration is with wood screws for wooden posts.

### MAMMOTH

An elegant self-closing hinge which opens smoothly and closes consistently gates up to 150 kg regardless of the outside temperatures (patented system). Closing speed and final snap are individually adjustable.



- ① SHKW: p. 111
- ② H-WOOD: p. 93
- ③ MAMMOTH: p. 14
- ④ DINO: p. 136



- ① 4DW: p. 139
- ② VSF: p. 150
- ③ SHKW: p. 111
- ④ H-WOOD: p. 93

## Double wing gate

### 4DW

Aesthetic, vandal proof hinge for wooden gates. The stainless steel hinge can be adjusted in 4 dimensions: height, depth, left/right alignment and rotational.

### VSF

Standard drop bolt with hot-dip galvanized bolt. The drop bolt is auto-locked between the gate wings.



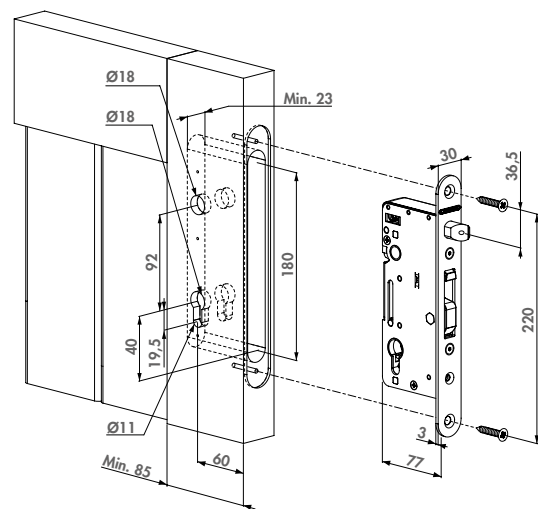
## Stainless steel insert lock for wooden gates

H-WOOD (Patented)

100% stainless steel insert lock with a backset of 60 mm. The perfect solution for wooden gates. The adjustable self-latching bolt in combination with the stainless steel hook (dead bolt) provides an extra security.

### Specifications

- ✔ Easy left or right changing of the self-latching daybolt
- ✔ Key-operated self-latching bolt
- ✔ Adjustment of the latch bolt up to 20 mm continuous without dismounting the lock
- ✔ Mechanism, hook, frontplate, latchbolt: stainless steel
- ✔ Stainless steel hook for secure anchoring
- ✔ Throw of the hook: 33 mm
- ✔ Center-distance cylinder  $\leftrightarrow$  handles = 92 mm
- ✔ 60 mm backset
- ✔ Lock mechanism with cover plate against dirt penetration
- ✔ Compatible with all Europrofile cylinders
- ✔ Handles and cylinder to be ordered separately
- ✔ Cover shield for handle & cylinder holes to be ordered separately



### Order code

Insert lock

**H-WOOD** For profiles with a min. depth of 85 mm



## Complete, stainless steel insert lock set for wooden gates

H-WOOD-SET

Complete set to equip your wooden gates with an adjustable, stainless steel insert lock and keep. A safe anchoring of the gate is guaranteed.

### Specifications

- ✔ Complete set with lock, keep, cover plates, handles and cylinder
- ✔ 60 or 80 mm cylinder
- ✔ Stainless steel cover shields and handles

### Order codes

**H-WOOD-SET-60-I** H-WOOD + 3020-HYB-A2 (2x) + 30061-H + SHKW-ALUM + 3012-60-STD-VSZ

**H-WOOD-SET-80-I** H-WOOD + 3020-HYB-A2 (2x) + 30061-H + SHKW-ALUM + 3012-80-STD-VSZ



# KEEPS

No lock without a keep. Locinox provides a wide range of keeps for sliding, swing, garden and child safety gates. An impact test at our facility ensures our keeps to handle every blow they receive and they meet our strict Locinox standard. Mounting is easy, fast and very strong thanks to our patented Quick-Fix system. The stop plates are adjustable and in many cases equipped with a protective rubber strip.



# i Minimal distances

Perfect work begins with a perfect preparation!

All Locinox products can be adjusted accurately. We recommend however to consider the mounting depth when planning. Below, you will find a clear overview of the minimum distances between gate and post. This guarantees that all is perfectly aligned.



Keeps

## Hinges

	B	C	D	E
	MINIMUM	MAXIMUM	MAXIMUM	MINIMUM
GBMU4D12	22	80	-	20
GBMU4D16	35	115	-	25
GBMU4D20	36	130	-	25
EXCENTRO	35	-	-	30
BOLTONHD-4D-12	8	70	-	28
BOLTONHD-4D-16	8	88	-	28
GBMU-X-M12	6	77	-	20
GBMU-X-M16	8	95	-	25
GBMU-X-M18	8	88	-	25
GBMU-X-M20	12	112	-	25
GBMU-X-M22	12	112	-	30
G90Z-X-M16	48	30	-	18
G90Z-X-M20	53	28	-	23
DINO	13	43	-	23
PUMA	10	21,5	-	-
NOSEHINGE-I	25	-	101	51
BEARING HINGE 40X40	25	25	-	60
BEARING HINGE 50X50	20	20	-	55
3DM	16	76	-	10,5
4DW	0	25	-	21
3DW	0	25	-	10,5
GBM12X130 30X30	15	-	120	20
GBM12X130 40X40	10	-	120	20
GBM12X150 30X30	15	-	140	20
GBM12X150 40X40	10	-	140	20
GBM16X160 40X40	17	-	148	25
GBM16X160 50X50	12	-	148	25
GBM16X180 40X40	17	-	168	25
GBM16X180 50X50	12	-	168	25
GAM12X130	46	-	120	20
GAM12X150	46	-	140	20

## Keeps

	A
	MINIMUM
SAKL QF	30
SHKL QF	30
SMKL QF	30
SKRZ	27
SE & SEH	26
SPKZ	8
SSKZ	21
ST	27
SF	13
MODULEC-SA	30
MODULEC-SH	30

## Keeps

	A
	MINIMUM
SHKC	6
INTRALEC	10
SFKU	12
SFKM	13
SFKI	13
SHKM	15
SHKW	15
SFKO	30
MODULEC-SF	30
SFKP	30
SFKB	30

## Hinges

	B	C	D	E
	MINIMUM	MAXIMUM	MAXIMUM	MINIMUM
SWING130	10	-	120	20
SWING150	10	-	140	20
G-ORNA-M20	35	63	-	41,5
G-ORNA-M24	35	70	-	44
G-ORNA-M27	32,5	88	-	46,5
G90LR-X-M16-65	53	60,5	-	18
G90LR-X-M16-110	53	105,5	-	18
G90LR-X-M16-150	53	145,5	-	18
G90LR-X-M20-67	58	60,5	-	22
G90LR-X-M20-150	58	143,5	-	22
G90WP-B-M16-65	62	65	-	18
G90WP-B-M16-110	62	110	-	18
G90WP-B-M16-150	62	150	-	18
G90WP-B-M20-67	77	67	-	22
G90WP-B-M20-150	77	150	-	22



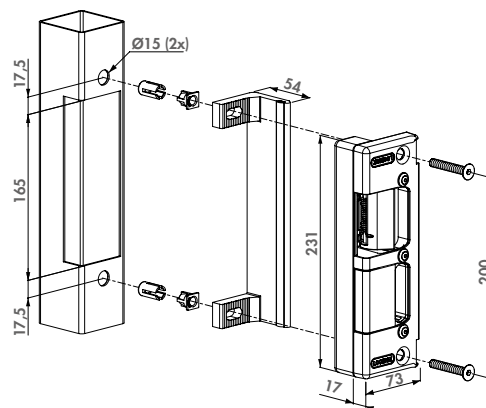
## Electric strike for surface mounted locks

SE (Patented)

Electric strike for swing gates. The strike is equipped with a blocking system that withstands 500 kg pulling force. The deadbolt receiver has been reinforced with stainless steel. This innovation makes the strike even more robust. This keep is extremely strong and the ideal solution for all your access control. SE is available in two versions: E (Emissa - Fail Close) and R (Ruptura - Fail Open).

### Specifications

- ✔ Type SE.E: Emissa - Fail Close
- ✔ Type SE.R: Ruptura - Fail Open
- ✔ Nightbolt receiver reinforced and out of stainless steel
- ✔ For post profiles of 50 mm and more
- ✔ Voltage: 12V AC/DC
- ✔ Current Emissa: 1A
- ✔ Current Ruptura: 1,5A
- ✔ Water resistant & weatherproof
- ✔ Pressure resistance on self-latching bolt: 500 kg



### Compatible locks



### Order codes

- SE-E** Electric strike, Emissa, Fail Close
- SE-R** Electric strike, Ruptura, Fail Open

Keeps for swing gates



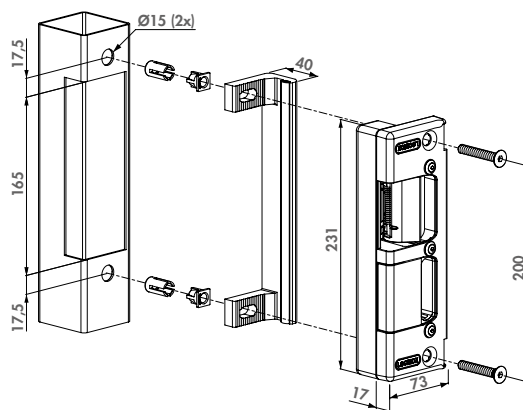
## Electric strike for insert locks

SEH (Patented)

Electric strike for H-Metal and H-Wood. The strike is equipped with a blocking system that withstands 500 kg pulling force. This keep is extremely strong and the ideal solution for all your access control. SEH is available in two versions: E (Emissa - Fail Close) and R (Ruptura - Fail Open).

### Specifications

- ✔ Type SEH.E: Emissa - Fail Close
- ✔ Type SEH.R: Ruptura - Fail Open
- ✔ Easy left or right changing
- ✔ For post profiles of 50 mm and more
- ✔ Voltage: 12V AC/DC
- ✔ Current Emissa: 1A
- ✔ Current Ruptura: 1,5A
- ✔ Water resistant & weatherproof
- ✔ Pressure resistance on self-latching bolt: 500 kg



### Compatible locks



### Order codes

- SEH-E** Electric strike, Emissa, Fail Close for H-Metal and H-Wood
- SEH-R** Electric strike, Ruptura, Fail Open for H-Metal and H-Wood

**H-METAL**  
P. 86

**H-METAL-WB**  
P. 87

**H-WOOD**  
P. 93



## Surface mounted electric strike

MODULEC-SA (Patented)

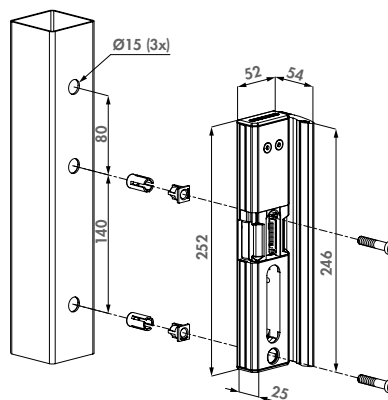
Easy-to-install electric strike for surface-mounting thanks to the patented Quick-Fix. Easily interchangeable with the SA keep. Can be connected to both 12V - 24V and AC/DC. Modulec-SA is available in two versions: E (Emissa - Fail Close) and R (Ruptura - Fail Open).

### Stop plate color options

ALUM 6005 7016 9005

### Specifications

- ✔ Tested up to 500.000 movements
- ✔ Fast and easy fixing with Quick-Fix
- ✔ Resistance to pressure on the latch bolt: 300 kg
- ✔ Same drilling pattern as SA, SH and SM keeps
- ✔ Easy left or right changing
- ✔ Corrosion-resistant: black anodized aluminium housing
- ✔ Adjustable for gate profiles: 40-60 mm depth
- ✔ Voltage: 12V-24V AC/DC
- ✔ Consumption: 12V - 1,25A / 24V - 0,62A
- ✔ Power: 15W



### Compatible locks



LAKQ U2  
P. 59

LUKY J5  
P. 61

LDKZ D1  
P. 62

LAKQ H2  
P. 73

### Order code

**MODULEC-SA-E** Fail Close for surface mounted gate locks, 12-24V AC/DC

**MODULEC-SA-R** Fail Open for surface mounted gate locks, 12-24V AC/DC

Keeps for swing gates



## Surface mounted electric security keep

MODULEC-SH (Patented)

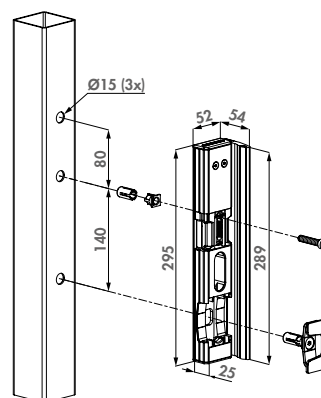
Replace your SHKL keep with an electrical surface mounted keep with Fail Close / Fail Open functionality. Easy to install thanks to the patented Quick-Fix. For 12V-24V and AC/DC. Modulec-SH is available in two versions: E (Emissa - Fail Close) and R (Ruptura - Fail Open).

### Stop plate color options

ALUM 6005 7016 9005

### Specifications

- ✔ Tested up to 500.000 movements
- ✔ Resistance to pressure on the latch bolt: 300 kg
- ✔ Easy mounting with Quick-Fix
- ✔ Same drilling pattern as SA, SH and SM keeps
- ✔ Easy left or right changing
- ✔ Corrosion-resistant: black anodized aluminium housing
- ✔ Adjustable for gate profiles: 40-60 mm depth
- ✔ Voltage: 12V-24V AC/DC
- ✔ Consumption: 12V - 1,25A / 24V - 0,62A
- ✔ Power: 15W



### Compatible locks



LAKQ U2  
P. 59

LUKY J5  
P. 61

LDKZ D1  
P. 62

LAKQ H2  
P. 73

### Order codes

**MODULEC-SH-E** Fail Close for surface mounted gate locks, 12-24V AC/DC

**MODULEC-SH-R** Fail Open for surface mounted gate locks, 12-24V AC/DC



## Adjustable keep out of stainless steel

SAKL QF (Patented)

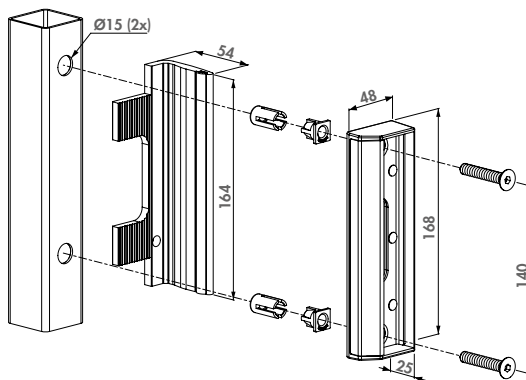
Stainless steel keep with polyamide finishing used as standard for all your gates (garden, ornamental, industrial,...). The unique Quick-Fix ensures a fast and strong mounting. The adjustable, aluminium stop plate with rubber accepts different gate profiles from 40 to 60 mm width. Redesigned to make the strike accept the latchbolt easier.

### Stop plate color options

ALUM 6005 6009 7016 9005 9010

### Specifications

- ✔ Stainless steel bolt receiver
- ✔ Extruded stop plate in aluminium with rubber strip
- ✔ Easy left or right changing
- ✔ Innovative Quick-Fix mounting
- ✔ Adjustable for gate profiles: 40-60 mm width
- ✔ For rectangular and round profiles



### Compatible locks



LAKQ U2  
P. 59

LOKQ Y2  
P. 65

LMKQ V2  
P. 66

LAKZ P1  
P. 74

### Order codes

**SAKL QF** Industrial keep for square profiles

**SARL QF** Industrial keep for round profiles

Keeps for swing gates



## Adjustable security keep out of stainless steel

SHKL QF (Patented)

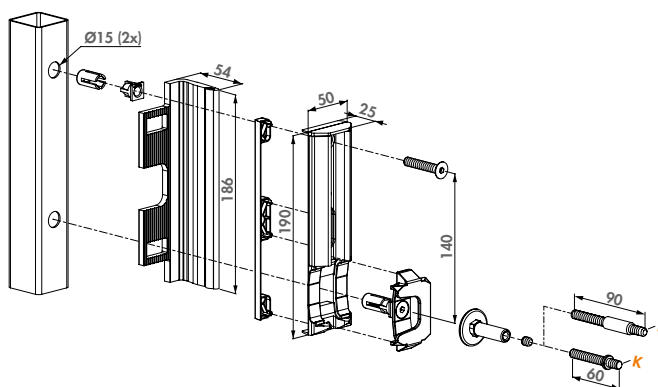
Stainless steel keep with polyamide finishing for all your metal, aluminium and PVC gates. The patented stainless steel anchoring system prevents pulling the gates out of the keep. The unique Quick-Fix ensures a fast and strong mounting. The adjustable, aluminium stop plate with rubber accepts different gate profiles of 40 - 60 or 60 - 80 mm width. Redesigned to make the strike accept the latchbolt easier.

### Stop plate color options

ALUM 6005 6009 7016 9005

### Specifications

- ✔ Reinforced stainless steel security keep for round and square profiles
- ✔ Stainless steel anchoring system included
- ✔ Easy left or right changing
- ✔ Innovative Quick-Fix mounting
- ✔ Prevents opening the gate with a crowbar
- ✔ For rectangular and round profiles
- ✔ Aluminium adjustable slam plate with shock rubber
- ✔ Adjustable for gate profiles: 40-60 mm (K) and 60-80 mm (L)



### Compatible locks



LAKQ U2  
P. 59

LMKQ V2  
P. 66

LDKZ D1  
P. 62

LEKQ U4  
P. 69

### Order codes

**SHKL QF** Industrial security keep for square profiles

**SHRL QF** Industrial security keep for round profiles



## Polyamide garden gate keep for rectangular profiles

SMKL QF

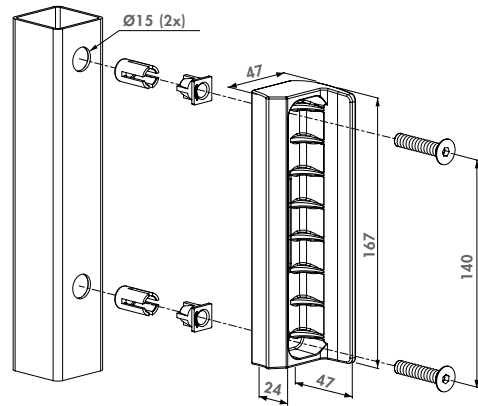
Polyamide keep for garden gates. The Quick-Fix fixation ensures a fast and strong mounting on rectangular posts. For gate profiles of 40 mm width.

### Color options

6005 6009 7016 7040 9005

### Specifications

- ✔ Keep in polyamide for square profiles
- ✔ Easy left or right changing
- ✔ Innovative Quick-Fix mounting
- ✔ For profiles as of 40 mm or more



### Compatible locks



LAKZ P1  
P. 74

LAKZ P1 WSI  
P. 75

### Order code

SMKL QF Polyamide garden gate keep for square profiles



## Polyamide garden gate keep for round profiles

SKRZ

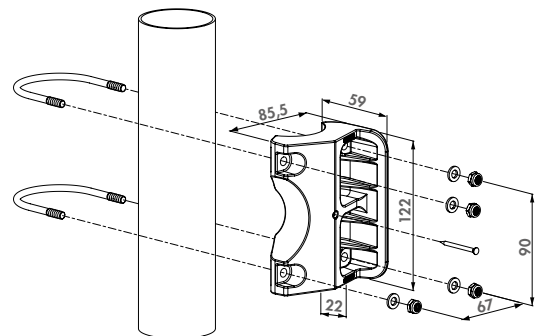
Polyamide keep garden gates. The brace fixing ensures a fast and strong mounting on round tubes. For gate profile 40 mm and post profile 60 mm.

### Color options

6005 6009 7040 9005

### Specifications

- ✔ Keep in polyamide for round profiles
- ✔ Easy left or right changing
- ✔ Only for round posts Ø60 mm
- ✔ For gate profiles of 40 mm width



### Compatible locks



LAKZ P1  
P. 74

LAKZ P1 WSI  
P. 75

### Order code

SKRZ Polyamide garden gate keep for round profiles



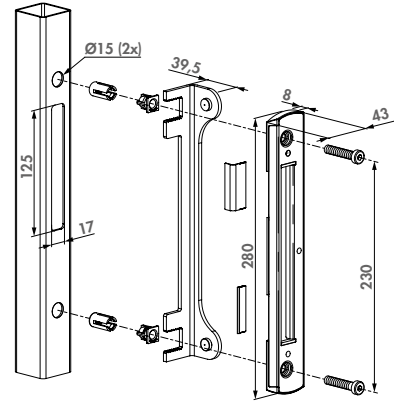
## Stainless steel surface mounted keep for surface mounted locks

SF-

Aesthetical surface mounted keep. Specially designed for our complete range of surface mounted swing gate locks. The limited 8 mm visible thickness ensures a discreet look. A highly efficient assembly with minimal gate preparations is guaranteed, while the unique Quick-Fix ensures a fast and strong fixation on the gate. This unique keep in combination with the gate lock ensures a strong gate anchoring.

### Specifications

- ✔ Stainless steel keep for square profiles as of 40 mm
- ✔ Compatible with our complete range of surface mounted swing gate locks
- ✔ Extruded stop plate in aluminium with rubber strip for longterm use
- ✔ Including innovative Quick-Fix fixations and self drilling screws
- ✔ Easy left or right changing
- ✔ Elegant design: visible thickness of 8 mm
- ✔ Adjustable stop plate for 40 mm till 60 mm gate frames
- ✔ Adjustable guide to avoid damage of day bolt to post



### Compatible locks



### Order code

SF- Stainless steel surface mounted keep for surface mounted locks, adjustable for 40 mm to 60 mm gate frames



## Pull Counter Box

3006PC

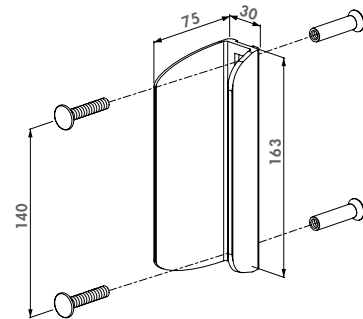
Aesthetic solution in aluminium for the construction of symmetric double swing gates in combination with the Locinox keep. When used with the Locinox 4D-hinges, you can simplify your production of double gates to one single identical gate wing which can be used either on the left or right side. The pull counter box fills up the symmetric lock opening in the other gate wing.

### Color options

ZILV 6005 6009 7016 9005

### Specifications

- ✔ Folded pull counter box with same shape as the industrial lock
- ✔ To use in combination with the SA or the SH keep with the special through and through fixing



### Compatible locks



### Order code

3006PC Folded counter box in aluminium with through and through fixing



## Ornamental keep

SPKZ QF

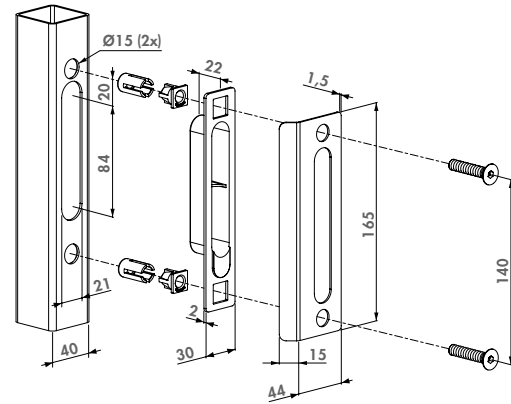
Flat keep with polyamide box to integrate into the post. This set allows you to adjust your (ornamental) gates with a minimal gap.

### Color options

ALUM 9005

### Specifications

- ✔ Insert keep for square profiles of 40 mm
- ✔ Innovative Quick-Fix mounting



### Compatible locks



LAKQ H2  
P. 73

LAKY F2  
P. 72

LAKQ U2  
P. 59

LMKQ V2  
P. 66

### Order code

**SPKZ QF 40** Insert keep for square profiles of 40 mm



## Ornamental keep with counter lock box

SPKZ-TK

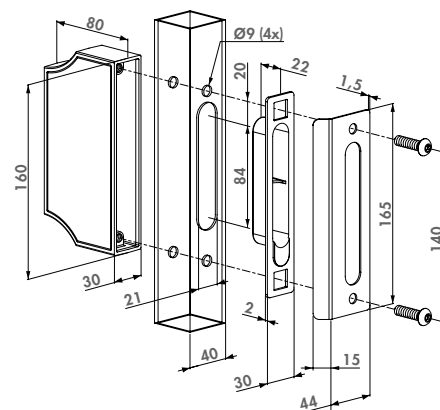
Flat keep with polyamide box to integrate into the post. This set allows you to adjust your double ornamental gates with a minimum gap in between and offers you a nice and aesthetic look.

### Color options

9005

### Specifications

- ✔ Counter lock box with the same shape as the ornamental lock
- ✔ For rectangular profiles of min. 40 mm width
- ✔ Mounting: through the profile into the counter lock box



### Compatible locks



LAKQ H2  
P. 73

LAKY F2  
P. 72

### Order code

**SPKZ TK 40** Insert keep and ornamental counter lock box for square profiles of 40 mm



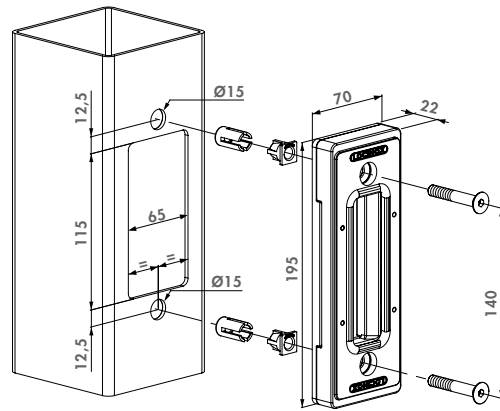
## Sliding gate keep with Quick-Fix

SSKZ QF (Patented)

Stainless steel sliding gate keep for hollow posts. The keep is 9 mm left/right auto-adjustable for an easy and secure anchoring of the gate lock. A rubber stop prevents the gate from being damaged while closing.

### Specifications

- ✔ Keep in stainless steel for square profiles
- ✔ Minimum profile size: 80 mm wide
- ✔ Fast and easy fixing with Quick-Fix
- ✔ The keep is 9 mm left/right auto-adjustable for easy and secure anchoring of the Twistfinger
- ✔ The rubber stop prevents damaging the gate frame



### Compatible locks



LLKZ V2  
P. 79

LSKZ U2  
P. 80

LGKZ D1  
P. 81

### Order code

**SSKZ QF** Sliding gate keep for square profiles with a min. width of 80 mm



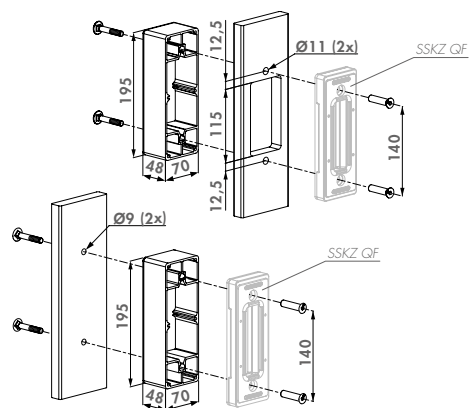
## Aluminium adapter case for flat profiles

O-SET

Adapter for the SSKZ QF sliding gate keep. Can be used when installing the keep on flat profiles or if you want the keep to be surface installed.

### Specifications

- ✔ Aluminium case to use together with sliding gate keep SSKZ QF when installing on a flat profile
- ✔ Protects the Twistfinger when the keep is mounted on a flat profile with a minimum thickness of 5 and a maximum thickness of 20 mm
- ✔ Delivered with through and through fasteners



### Recommended keep



**SSKZ QF**  
P. 103

### Order code

**O-SET** For flat profiles in combination with SSKZ QF keep



## Swimming pool keep for square profiles for TWIST40

STK QF (Patented)

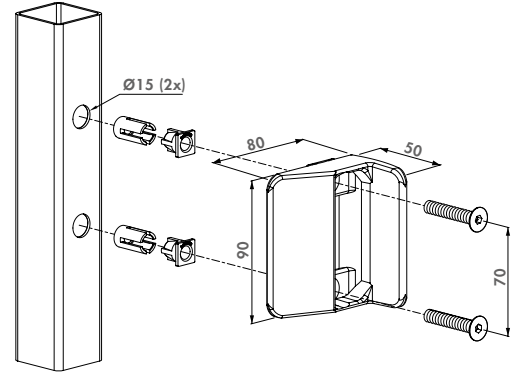
Polyamide keep conform the swimming pool safety standard NF P90-306. Designed to combine with the TWIST40 lock. Fast and strong fixings on square posts: Quick-Fix. For gate profiles of 40 mm width only.

### Color options

**9005**

### Specifications

- ✔ Keep in polyamide for square profiles 40 mm or more
- ✔ For 40 mm gate profiles only
- ✔ Only compatible with the swimming pool lock TWIST40
- ✔ Innovative Quick-Fix mounting
- ✔ Conforms to swimming pool standard NF P90-306
- ✔ We strongly advise you to read the swimming pool safety standard NF P90-306 before manufacturing any swimming pool gate



Compatible lock



TWIST40  
P. 78

### Order code

**STK QF** For square posts in combination with TWIST40 lock



## Swimming pool keep for round profiles for TWIST40

STR60 QF (Patented)

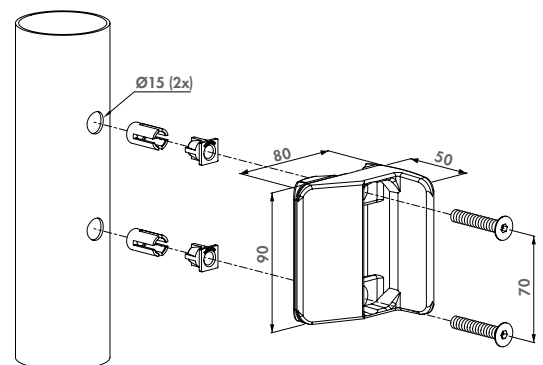
Polyamide keep conform the swimming pool safety standard NF P90-306. Designed to combine with the TWIST40 lock. Fast and strong fixings on round tubes Ø60 mm: Quick-Fix. For gate profiles of 40 mm only.

### Color options

**9005**

### Specifications

- ✔ Keep in polyamide for round profiles Ø60 mm
- ✔ For 40 mm gate profiles only
- ✔ Only compatible with the swimming pool lock TWIST40
- ✔ Innovative Quick-Fix mounting
- ✔ Conforms to swimming pool standard NF P90-306
- ✔ We strongly advise you to read the swimming pool safety standard NF P90-306 before manufacturing any swimming pool gate



Compatible lock



TWIST40  
P. 78

### Order code

**STR60 QF** For round posts Ø60 mm in combination with TWIST40 lock





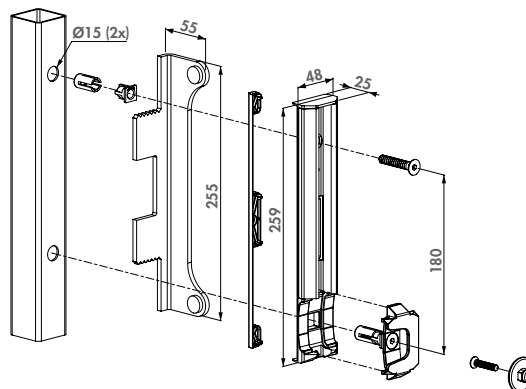
## Surface mounted stainless steel keep strike for Fortylock, Fiftylock and Sixtylock

SFKB

Stainless steel keep with polyamide finishing for all your metal, aluminium and PVC gates. The patented stainless steel anchoring system prevents pulling the gates out of the keep. The unique Quick-Fix ensures a fast and strong mounting.

### Specifications

- ✔ Keep for square profiles
- ✔ Aluminium slam plate with shock rubber
- ✔ Innovative installation with Quick-Fix
- ✔ To combine with Fortylock, Fiftylock, Sixtylock and Eightylock
- ✔ Stainless steel anchoring system included
- ✔ Easy left or right changing
- ✔ Prevents opening the gate with a crowbar
- ✔ Adjustable for gate profiles: 40-60 mm width



### Compatible locks



**FORTYLOCK**  
P. 82



**FIFTYLOCK**  
P. 83



**SIXTYLOCK**  
P. 84

### Order code

**SFKB-QF** Adjustable from 40 mm to 60 mm



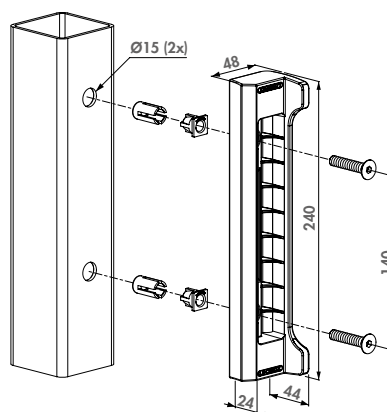
## Polyamide keep for Fortylock, Fiftylock and Sixtylock

SFKP

Polyamide keep for garden gates. To combine with Fortylock, Fiftylock, Sixtylock and Eightylock. The Quick-Fix ensures a fast and strong mounting on square posts. For gate profiles of 40 mm.

### Specifications

- ✔ Keep for square profiles of 40 mm
- ✔ Standard measure between fixings: 140 mm
- ✔ Innovative installation with Quick-Fix
- ✔ Easy left or right changing



### Compatible locks



**FORTYLOCK**  
P. 82



**FIFTYLOCK**  
P. 83



**SIXTYLOCK**  
P. 84

### Order code

**SFKP-QF40** For square gate profiles 40 mm



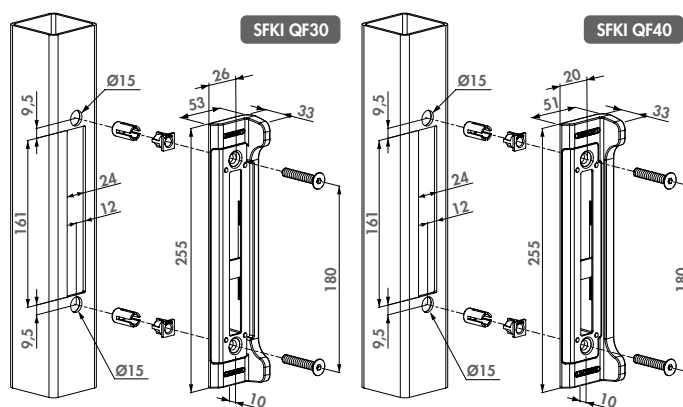
## Insert stainless steel keep for Fortyllock, Fiftylock and Sixtylock

SFKI

Insert keep for small gates in metal, aluminium and PVC. The keep can be combined with the Fortyllock, Fiftylock and Sixtylock. Fast and easy mounting with Quick-Fix. Hook in combination with the keep provides a secure anchoring of gate and post. Available for square posts of 30 or 40 mm depth.

### Specifications

- ✔ Keep for square profiles
- ✔ Innovative installation with Quick-Fix
- ✔ Easy left or right changing
- ✔ Insert depth: 15 mm
- ✔ Available for gate profiles 30 or 40 mm



### Compatible locks



FORTYLOCK  
P. 82



FIFTYLOCK  
P. 83



SIXTYLOCK  
P. 84

### Order codes

**SFKI-QF30** For square gate profiles 30 mm

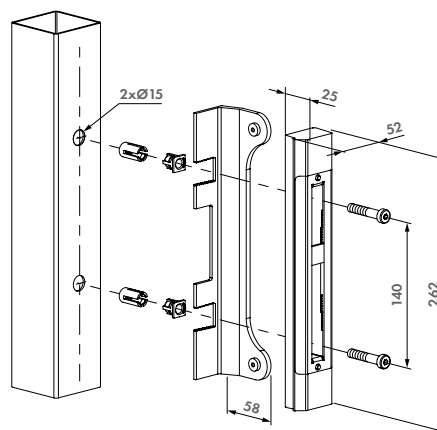
**SFKI-QF40** For square gate profiles 40 mm



## Stainless steel surface mounted keep for insert locks

SFKO (Patent pending)

Aesthetical surface mounted keep. Specially designed for Fortyllock, Fiftylock and Sixtylock insert locks. The keep is perfectly modular with the electrical strike Modulec-SF, no changes needed. A highly efficient mounting with minimal gate preparations is guaranteed, while the unique Quick-Fix ensures a fast and strong fixation on the gate. The anchoring system ensures a strong gate closure.



### Compatible locks



FORTYLOCK  
P. 82



FIFTYLOCK  
P. 83



SIXTYLOCK  
P. 84

### Color options

ALUM 9005

### Specifications

- ✔ Modular with electric strike MODULEC-SF
- ✔ Keep for square profiles
- ✔ Innovative installation with Quick-Fix
- ✔ Extruded stop plate in aluminium with rubber strip for longterm use
- ✔ To combine with Fortyllock, Fiftylock, Sixtylock and Eightylock
- ✔ Vandal proof design: hook-in anchoring system prevents opening with a crowbar
- ✔ Easy left or right changing
- ✔ Adjustable for gate profiles: 40 - 60 mm

### Order codes

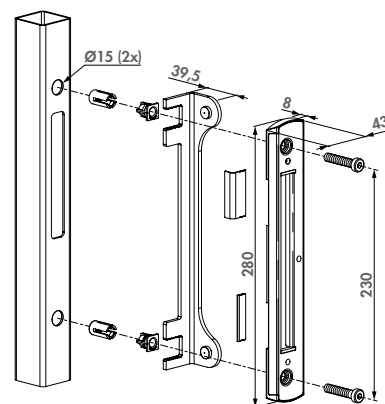
**SFKO-QF** Stainless steel surface mounted keep for insert locks



## Stainless steel surface mounted keep for Fortylock, Fiftylock and Sixtylock

SFKM

Aesthetical surface mounted keep for small metal, aluminium and PVC gates. Specially designed for Fortylock, Fiftylock and Sixtylock insert locks. The limited 8 mm depth ensures a discreet look. A highly efficient assembly with minimal gate preparations is guaranteed, while the unique Quick-Fix ensures a fast and strong fixation on the gate. This unique keep in combination with the insert lock ensures a strong gate anchoring.



### Color options

ALUM 9005

### Specifications

- ✓ Stainless steel keep for square profiles as of 40 mm
- ✓ To combine with Fortylock, Fiftylock, Sixtylock and Eightylock
- ✓ Extruded stop plate in aluminium with rubber strip for longterm use
- ✓ Including innovative Quick-Fix fixations and self drilling screws
- ✓ Easy left or right changing
- ✓ Elegant design: visible thickness of 8 mm
- ✓ Adjustable stop plate for 40 mm till 60 mm gate frames
- ✓ Adjustable guide to avoid damage of day bolt to post

### Compatible locks



FORTYLOCK  
P. 82

FIFTYLOCK  
P. 83

SIXTYLOCK  
P. 84

### Order code

SFKM-QF Adjustable from 40 mm to 60 mm

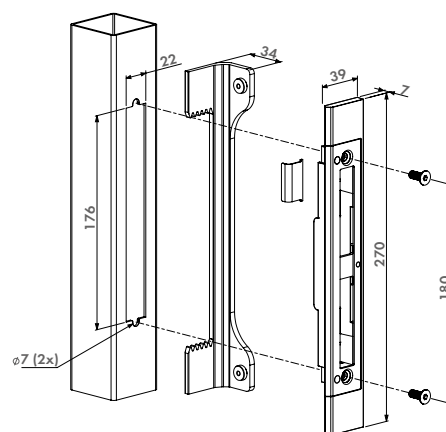
Keeps for insert locks



## NEW Insert keep for installation in lock pattern

SFKU (Patent pending)

Stainless steel insert keep that can be installed in insert lock pattern for universal wing preparation of 40 mm wide frames. The integrated "Click-It" system requires only a slight shift for a quick and secure fixation. The slim design limits the distance between lock and keep and increases the level of privacy of your gate.



### Color options

ALUM 7016 9005

### Specifications

- ✓ Adjustable for gate profiles: 40 - 50 mm
- ✓ Integrated Click-It installation system
- ✓ Easy left or right changing
- ✓ Extruded stop plate in aluminium with rubber strip for longterm use
- ✓ To combine with Fortylock, Fiftylock, Sixtylock and Eightylock
- ✓ Includes connection parts for optional SHIELDLINE

### Compatible locks



FORTYLOCK  
P. 82

SIXTYLOCK  
P. 84

SHIELDLINE-  
P. 182

### Order code

SFKU Insert keep for installation in lock pattern



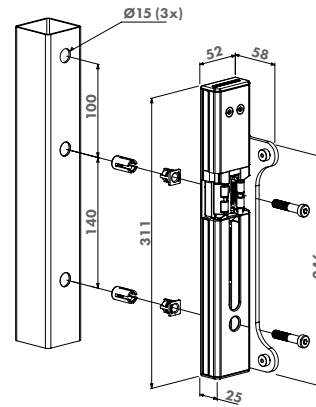
## Surface mounted electric strike for Forty-, Fifty- and Sixtylock

MODULEC-SF- (Patented)

Easy-to-install surface mounted electric keep with a narrowed stop plate for insert locks. Thanks to the patented Quick-Fix, a quick installation is guaranteed. The black anodized housing ensures a corrosion and scratch-free use for many years. Can be connected to both 12V - 24V and AC/DC. Modulec-SF is available in two versions: E (Emissa - Fail Close) and R (Ruptura - Fail Open).

### Specifications

- ✔ Tested up to 500.000 movements
- ✔ Fast and easy fixing with Quick-Fix
- ✔ Resistance to pressure on the latch bolt: 300 kg
- ✔ Easy left or right changing
- ✔ Corrosion-resistant: black anodized aluminium housing
- ✔ Adjustable for gate profiles: 40-60 mm width
- ✔ Voltage: 12V-24V AC/DC
- ✔ Consumption: 12V - 1,25A / 24V - 0,62A
- ✔ Power: 15W
- ✔ Available in two colours: RAL 9005 & ALUM



### Compatible locks



FORTYLOCK  
P. 82



FIFTYLOCK  
P. 83



SIXTYLOCK  
P. 84

### Order codes

**MODULEC-SF-E** Fail Close for insert locks, 12-24V AC/DC

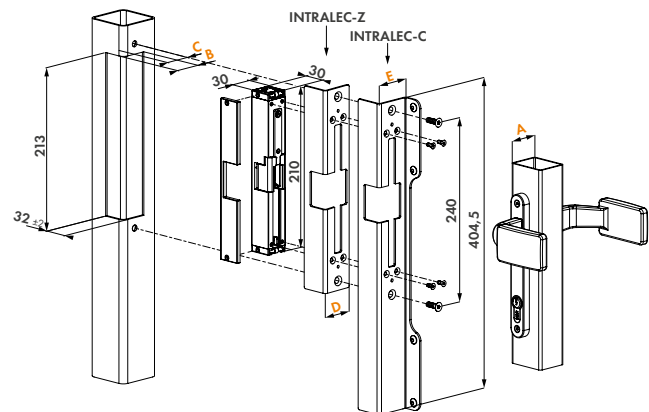
**MODULEC-SF-R** Fail Open for insert locks, 12-24V AC/DC



## Built-in electric keep for Fortylock, Fiftylock and Sixtylock insert locks

INTRALEC- (Patented)

Elegant and discreet electric keep which is built-in the post. Easy installation thanks to the patented Click-It system. Can be installed without a strike plate and a mechanical override is possible. Intralec is available in Fail Open (Ruptura) and Fail Close (Emissa) version.



### Compatible locks



FORTYLOCK  
P. 82



FIFTYLOCK  
P. 83



SIXTYLOCK  
P. 84

### Specifications

- ✔ Fast and easy fixing with Click-it
- ✔ Resistance to pressure on the latch bolt: 300 kg
- ✔ Deep closure of 17,5 mm of the latch bolt
- ✔ Voltage: 12V-24V AC/DC
- ✔ Consumption: 10W / 12V - 0.8A / 24V - 0.4A

### Order codes

**INTRALEC-C-40-9005-E** For 40 mm gate profiles - Fail Close, with stop plate

**INTRALEC-C-40-9005-R** For 40 mm gate profiles - Fail Open, with stop plate

**INTRALEC-C-50-9005-E** For 50 mm gate profiles - Fail Close, with stop plate

**INTRALEC-C-50-9005-R** For 50 mm gate profiles - Fail Open, with stop plate

**INTRALEC-Z-40-9005-E** For 40 mm gate profiles - Fail Close, without stop plate

**INTRALEC-Z-40-9005-R** For 40 mm gate profiles - Fail Open, without stop plate

**INTRALEC-Z-50-9005-E** For 50 mm gate profiles - Fail Close, without stop plate

**INTRALEC-Z-50-9005-R** For 50 mm gate profiles - Fail Open, without stop plate



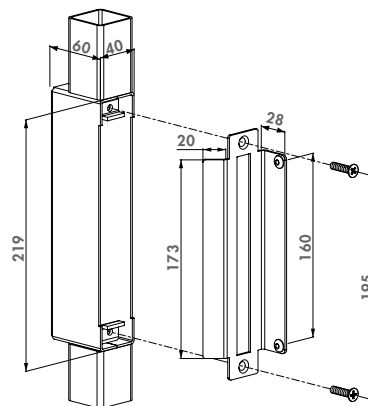
## Hybrid welding box and keep for H-METAL

HWKB

Hybrid keep for insert locks. The welding box in black steel 60x40 mm / 2 mm can be integrated in your post. The frontplate in stainless steel with integrated stop ensures a perfect finish.

### Specifications

- ✔ Welding box 60x40/2 mm for hybrid keep in black steel to weld between your posts
- ✔ Frontplate in stainless steel
- ✔ Integrated gate stop with 2 rubber stops
- ✔ For gate profiles of 40 mm width



### Compatible locks



H-METAL  
P. 86



H-METAL-WB  
P. 87

### Order code

**HWKB** Welding box and keep to combine with H-METAL lock



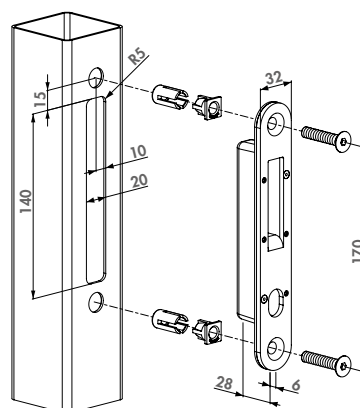
## Stainless steel keep for H-COMPACT

SHKC

Stainless steel keep for the H-COMPACT insert lock. The 33 mm throw of the hook and the anti-lift protection provide a secure anchoring.

### Specifications

- ✔ Plastic box prevents intrusion of dirt or water in the profile
- ✔ 6 mm thick front plate
- ✔ Can be used for swing and sliding gates
- ✔ Innovative installation with Quick-Fix
- ✔ The keep presents a safe solution and prevents lifting the gate out of the keep.



### Compatible lock



H-COMPACT  
P. 87

### Order code

**SHKC** For square posts with a min. width of 40 mm in combination with H-COMPACT lock



## Hybrid keep for insert locks

SHKM (Patented)

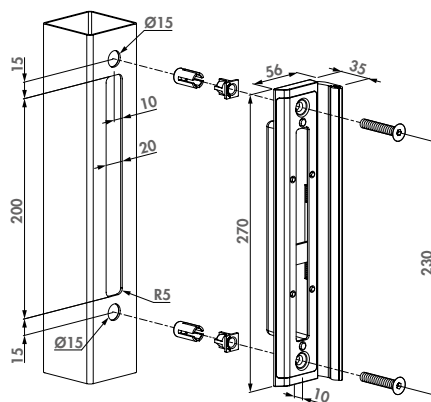
Stainless steel keep for insert locks. This unique keep in combination with the insert lock ensures a strong gate anchoring. This configuration is equipped with Quick-Fix for metal and aluminium posts.

### Stop plate color options

ALUM 9005

### Specifications

- ✔ Adjustable for gate profiles: 40-60 mm width
- ✔ Innovative Quick-Fix mounting
- ✔ Anchoring plate for hook
- ✔ Easy left or right changing



### Compatible locks and accessories



H-METAL  
P. 86



H-METAL-WB  
P. 87

### Order code

SHKM For square posts in combination with H-METAL lock



## Hybrid keep wood

SHKW

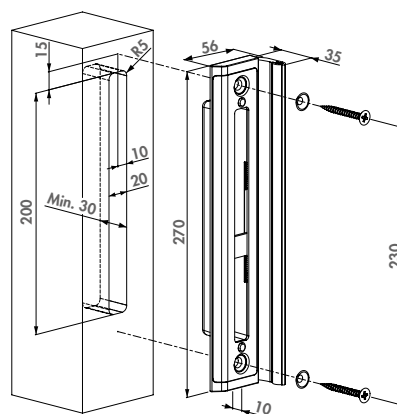
Stainless steel keep for insert locks. This unique keep in combination with the insert lock ensures a strong gate anchoring. This configuration includes wood screws.

### Color options

ALUM

### Specifications

- ✔ Stainless steel keep for Hybrid locks
- ✔ With mounting screws for wood
- ✔ Supplied with stop plate if integrated stop is not provided
- ✔ For 40-60 mm gate profiles
- ✔ Anchoring plate for hook



### Compatible locks



H-WOOD  
P. 93



H-METAL  
P. 86

### Order code

SHKW For wooden posts in combination with H-WOOD lock





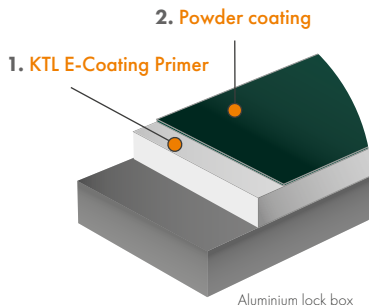
# HINGES

Hinges support the weight of the gate and ensure it opens and closes smoothly. Because of this heavy task, our hinges are hot-dip galvanized or made of stainless steel. Thanks to our wide range we can offer a solution for every situation. Our patented 4D hinge is a top-of-the-line innovation which is adjustable in 4 dimensions (height/depth/alignment/left or right turning).



# i Weatherproof

Materials and surface treatments fit for a long, care-free outdoor use, is a basic requirement for our products. Therefore, Locinox only uses stainless steel and non-ferro metals as raw material. For the surface treatment we choose for hot-dip galvanization or chroming, if possible. Our aluminium lock boxes are profoundly tested against wear by salt and never fail thanks to the applied multilayer, high performing coatings.



**E-COATED ALUMINIUM**



**POWDER COATING**



**HOT-DIP GALVANIZATION**

# i Safety

Even though our products meet most important safety standards, a wrongful assembly could result in hazardous situations. Therefore we like to inform you about the parameters to mind during assembly.

## **CORRECT INFORMATION**

A team of engineers and experienced product experts are ready to assist you. Every product is supplied with a clear manual which guides you through the steps for a correct and safe installation. For more complex products, a 3D installation video is available on our website.

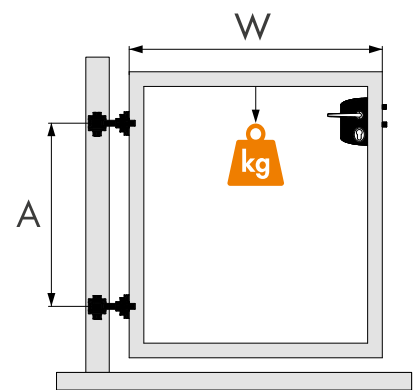
## **MAXIMUM GATE WEIGHT**

We always mention the maximum gate weight which is allowed for our hinges. This weight is still under the maximum load. Locinox applies safety factor 3,5 which means that they can bear up to 3,5 times the maximally allowed gate weight without endangering safety. The maximum gate weights and the safety factor are only applicable for gates that comply with the following formula.

Please note:

- Maximum gate width: 4 m
- Additional limitations can be defined on configuration level
- Please contact Locinox in case of specific questions

**!** European norm EN 12604 prescribes that every gate should be prevented from falling and in case of failure of a hinge the gate should be held not further than 300 mm from the turning point of that hinge. This can be done by fitting the U-Safe or B-Safe gate safety cable (see p 198) or a 3rd hinge.



**kg SAFETY FACTOR 3,5**

$$\frac{W}{A} \leq 2$$

A = Distance between the hinges  
W = Gate width

## 180° hinge set for ascending slopes

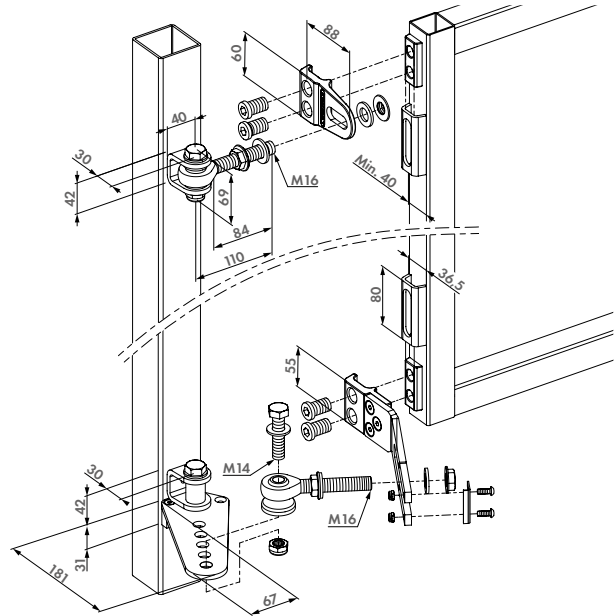
EXCENTRO-

This hinge is the perfect solution for sloped driveways. The hinge opens in an upward movement inwards, allowing a perfect entry and exit on even the steepest slopes (from 2% up to 35%). Use with the Rhino hydraulic gate closer is highly recommended for a controlled closing. Modular for gates with a Locinox GBMU4D-M16 preparation.



### Specifications

- ✔ Hot-dip galvanized hinge with stainless steel components
- ✔ 180° opening and closing angle
- ✔ Recommended with Rhino hydraulic gate closer for a controlled closing
- ✔ Adjustable for slopes from 2 up to 35% (depending on distance between hinges)
- ✔ For left & right turning gates
- ✔ Compatible with KLAUW gate claw and 1001U U-shaped ear plate

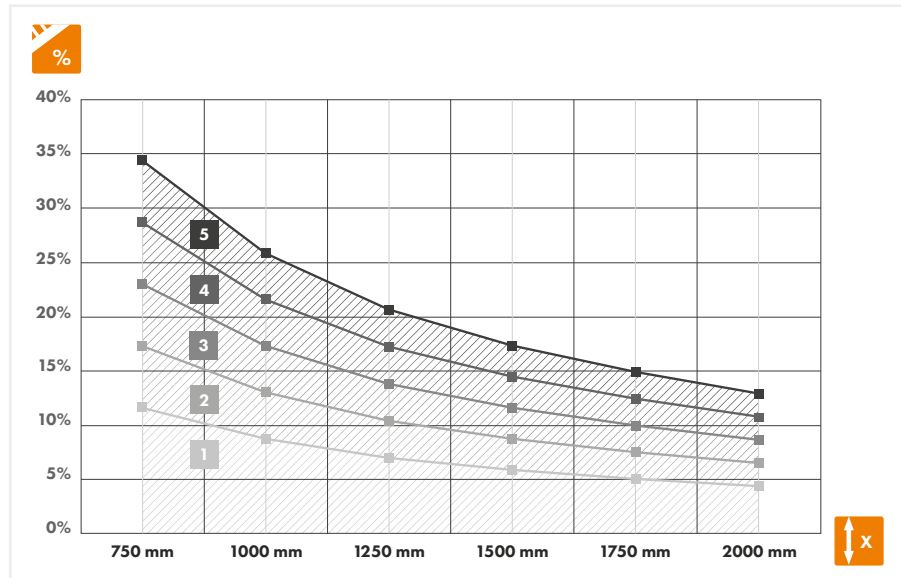
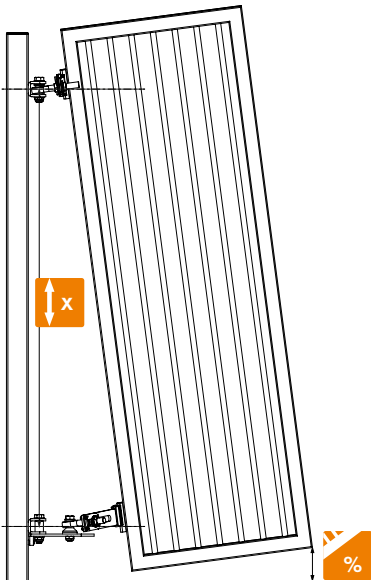


### Order code

EXCENTRO-M16

Eyebolt M16

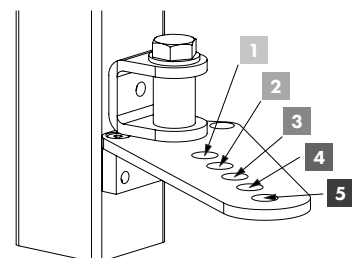
**i** For slopes from 2 up to 35%



Driveway slope percentage



Distance between hinges





## Bolt-on U-shaped earplate with Quick-Fix

BOLTON-U-

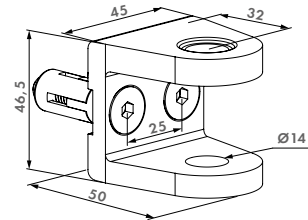
Fix easily and firmly the U-shaped earplate to the fix post with 2 Quick-Fix. Compatible with GBMU, GBMU4D and BOLTONHD-4D.

### Color options

ALUM 6005 7016 9005

### Specifications

- ✔ U-shaped earplate in aluminium
- ✔ Perfect combination with BOLTONHD-G-QF
- ✔ No welding required: drill holes and fix with Quick-Fix



### Order codes

BOLTON-U-16-QF

BOLTON-U-12-QF

U-shaped earplate with Quick-Fix



## Bolt-on GRIP in aluminium

BOLTON-P-

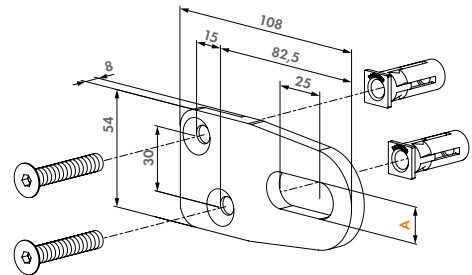
The aluminium GRIP is attached quickly, easily and firmly to the back of the gate profile with 2 Quick-Fix bolts. Using the Bolton-P allows you to prepare one gate for both left and right gates. This GRIP is a perfect fit for lighter gates, such as garden gates for example. Compatible with BOLTON-U earplate.

### Color options

ALUM 6005 7016 9005

### Specifications

- ✔ Perfect in combination with BOLTON-U-
- ✔ Max width of the gate: 1500 mm (M12)
- ✔ Max weight of the gate: 50 kg (M12)
- ✔ Max width of the gate: 2000 mm (M16)
- ✔ Max weight of the gate: 75 kg (M16)



### Order codes

BOLTON-P-12-QF

BOLTON-P-16-QF

A

13 mm

17 mm



## Bolt-on GRIP

BOLTONHD-G- (Patented)

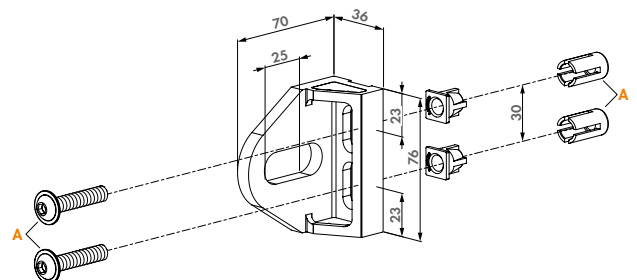
The GRIP is attached quickly, easily and firmly to the fixed post with 2 Quick-Fix bolts or with internal threaded bushing fastening. Compatible with GBMU, GBMU4D and BOLTONHD-4D.

### Color options

ALUM 6005 7016 9005

### Specifications

- ✔ GRIP in aluminium
- ✔ No welding required: drill holes and fix with Quick-Fix
- ✔ The 40-60 version can be applied to tubes of 40 up to 60 mm



### Order codes

BOLTONHD-G-16-QF

A

Quick-Fix

## 180° Bolt-on 4D adjustable hinge

BOLTONHD-4D- (Patented)



180° hinge which can quickly be mounted without any welding being required. It offers all advantages of the GBMU4D range: vandal-proof, adjustment of height, depth and distance between gate and post, left/right interchangeable so it can be used for both left and right turning gates. BOLTONHD-4D is available in M12 and M16, and always in 2 versions: one with Quick-Fix on both sides and one with Quick-Fix on the post, and on gate side a bolt through fixing for gate frames from 40 to 60 mm.

### Color options

ALUM 6005 7016 9005

### Specifications

- ✔ Easy to fix with Quick-Fix or bolt through fixing
- ✔ Vandal-proof eyebolt & crossbolt
- ✔ 180° opening
- ✔ Hot-dip galvanized eyebolt and crossbolt
- ✔ Max width of the gate: 2000 mm

### Hinge parts



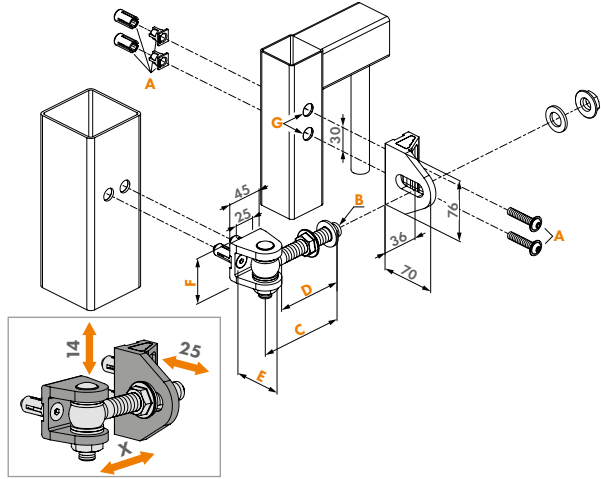
BOLTON-U-  
P. 116



BOLTONHD-G-  
P. 116



1034HDGA-  
P. 122



### Order codes & Dimensions

	kg	A	B	C	D	E	F	G
BOLTONHD-4D-12-QF-90	100	Quick-Fix	M12	90	70	42	35,5	Ø15
BOLTONHD-4D-16-QF-110	200	Quick-Fix	M16	110	85	50	46,5	Ø15



# i Gate wing standardization

With Locinox you can easily **standardize and stock only one type of gate wing** which can be used on **left- or right turning gates** or on **double wing gates**. Our extensive product range allows you to use the same wing for the lock and the keep. A counterbox ensures a **uniform and aesthetic look**. The orientation of the GRIP of our GBMU4D hinge makes it possible to determine during installation whether the wing will be used for left or right turning.



100% modular



Time-saving



Left/right reversible



Easy to stack



1 gate profile,  
lots of possibilities



Only 1 drill pattern

## Advantages of wing standardization

### Easy to stack and transport

A gate wing where the hardware such as hinges and locks can be installed afterwards. Easier to stack, to keep on stock and easier to transport!



### Hinge, lock and keep reversibility

A gate wing can be used for left or right turning. Locinox locks and keeps are reversible and the hinges can be installed in both directions.



## Right turning gate



## Left turning gate



## Double wing gate





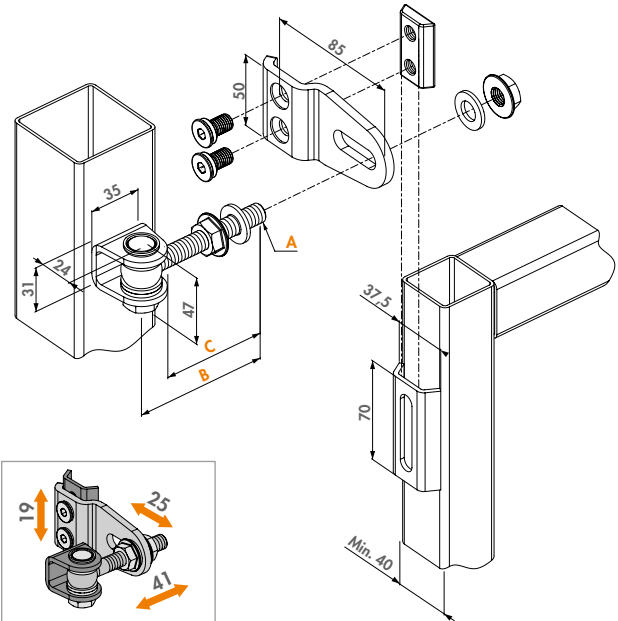
## 180° weld-on 4D adjustable hinge

GBMU4D12 (Patented)

4-way adjustable, hot-dip galvanized 180° hinge. Depth and spacing between gate and post are adjustable after installation. No more left or right swinging gates in stock. Only one gate wing should be produced for both left and right turning gates. The welding parts are available in black steel or zinc plated.

### Specifications

- ✓ 180° opening and closing angle
- ✓ Hot-dip galvanized eyebolt and Grip
- ✓ 500h salt spray resistant



### Hinge parts



1001U  
P. 126

KLAUW12  
P. 126

GRIP12  
P. 128

4DFIX-I-12  
P. 127

### Order codes & Dimensions

Welding parts in black steel (B)

Welding parts zinc plated (Z)



A B C  
Eyebolt M12 Length 90 mm 70

GBMU4D12-B-90

GBMU4D12-Z-90

100 kg



## 180° weld-on 4D adjustable hinge

GBMU4D16 (Patented)

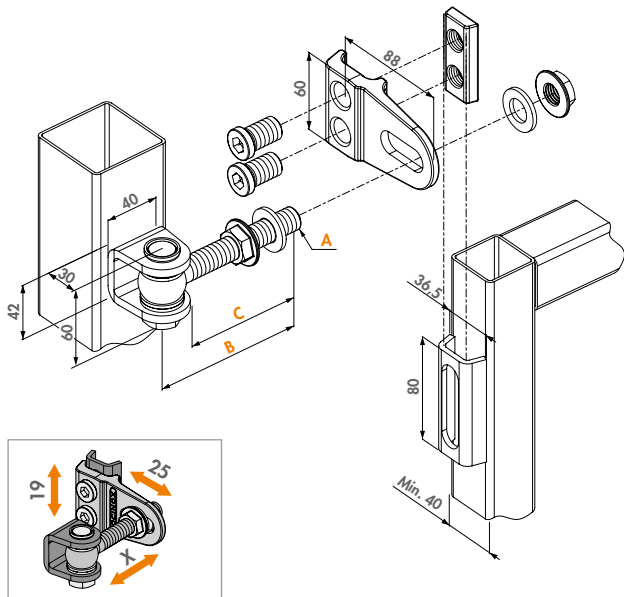
4-way adjustable, hot-dip galvanized 180° hinge. Depth and spacing between gate and post are adjustable after installation. No more left or right swinging gates in stock. Only one gate wing should be produced for both left and right turning gates. The welding parts are available in black steel or zinc plated.

### Grip color options

ALUM 6005 6009 7016 9005

### Specifications

- ✓ 180° opening and closing angle
- ✓ Hot-dip galvanized eyebolt and Grip
- ✓ 500h salt spray resistant



### Hinge parts



1001U  
P. 126

KLAUW-  
P. 127

GRIP16  
P. 128

4DFIX-I  
P. 127

### Order codes & Dimensions

Welding parts in black steel (B)

Welding parts zinc plated (Z)



A B C  
Eyebolt M16 Length 110 mm 85  
Eyebolt M16 Length 150 mm 125

GBMU4D16-B-110

GBMU4D16-Z-110

200 kg

GBMU4D16-B-150

GBMU4D16-Z-150

200 kg



## 4-way adjustable 180° hinge

GBMU4D20 (Patented)

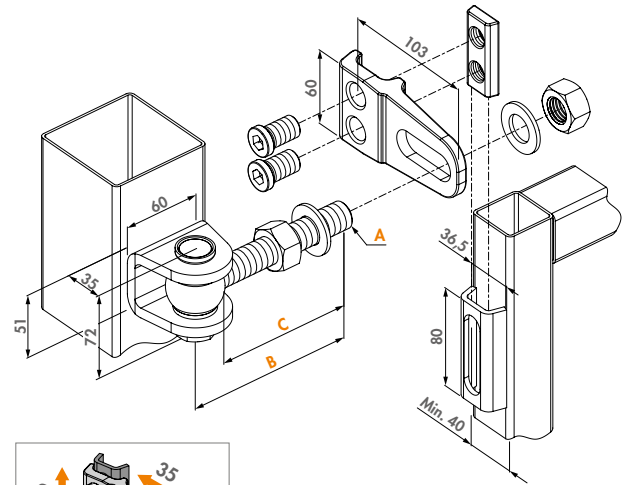
4-way adjustable, hot-dip galvanized 180° hinge. Depth and spacing between gate and post are adjustable after installation. No more left or right swinging gates in stock. Only one gate wing should be produced for both left and right turning gates. The welding parts are available in black steel or zinc plated.

### Grip color options

ALUM 6005 6009 7016 9005

### Specifications

- ✓ 180° opening and closing angle
- ✓ Hot-dip galvanized eyebolt and Grip
- ✓ 500h salt spray resistant



### Hinge parts



1001U-B-20  
P. 126



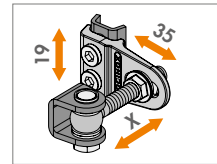
KLAUW-  
P. 127



GRIP20  
P. 128



4DFIX-I  
P. 127



### Order codes & Dimensions

Welding parts in black steel (B)		Welding parts zinc plated (Z)		kg	A	B	C
<b>GBMU4D20-B-130</b>	<b>GBMU4D20-Z-130</b>	400	kg	Eyebolt M20	Length 130 mm	105	
<b>GBMU4D20-B-150</b>	<b>GBMU4D20-Z-150</b>	400	kg	Eyebolt M20	Length 150 mm	115	



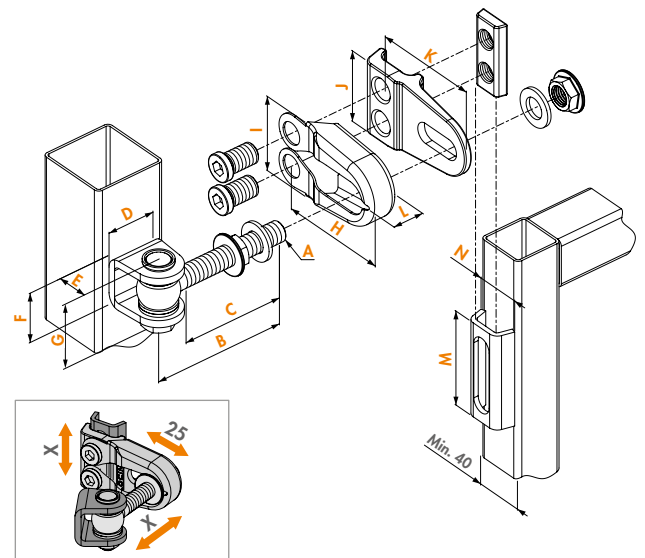
## Vandal-proof 180° hinge with 4-way adjustment

GBMU4DSHIELD (Patented)

Vandal-proof hot-dip galvanized 180° hinge. This secured version of the GBMU4D16 hinge provides extra security since the eyebolt or cross bolt can not be tampered with. With the 4-way adjustment you no longer have to keep left or right turning gates in stock. Height & depth alignment and left/right turning direction, are individually adjustable.

### Specifications

- ✓ 180° opening and closing angle
- ✓ Hot-dip galvanized eyebolt and Grip
- ✓ Vandal-proof Grip-shield included
- ✓ 500h salt spray resistant



### Compatible hinge parts



1001U  
P. 126



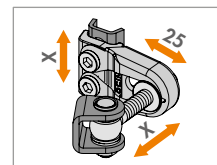
KLAUW-  
P. 127



GRIP16  
P. 128



4DFIX-I  
P. 127



### Order codes & Dimensions


Welding parts in black steel (B)		Welding parts zinc plated (Z)		kg	A	B	C	D	E	F	G	H	I	J	K	L	M	N
<b>GBMU4DSHIELD-12-B-90</b>	<b>GBMU4DSHIELD-12-Z-90</b>	100	kg	M12	90	70	35	24	31	47	88	56	50	85	24	70	37,5	
<b>GBMU4DSHIELD-16-B-110</b>	<b>GBMU4DSHIELD-16-Z-110</b>	200	kg	M16	110	85	40	30	42	60	91	63	60	88	26	80	36,5	

# Hinge comparison

## INDUSTRIAL GATE HINGES

For industrial gates, we offer a wide range of strong and durable hinges. These 4-way adjustable hinges are hot-dip galvanized, have 180° opening angle and can be welded onto the gate post.

For situations in which welding is not an option, we suggest the BOLTON range (pg 116).

Order codes	 Information	Information													
		A	B	C	D	E	F	G	H	I	J	K	L	M	N
<b>GBMU4D12</b>															
GBMU4D12-B-90	100kg	M12	90	70	35	24	31	47			50	85		70	37,5
GBMU4D12-Z-90	100kg	M12	90	70	35	24	31	47			50	85		70	37,5
<b>GBMU4D16</b>															
GBMU4D16-B-110	200kg	M16	110	85	40	30	42	60			60	88		80	36,5
GBMU4D16-Z-110	200kg	M16	110	85	40	30	42	60			60	88		80	36,5
GBMU4D16-B-150	200kg	M16	150	125	40	30	42	60			60	88		80	36,5
GBMU4D16-Z-150	200kg	M16	150	125	40	30	42	60			60	88		80	36,5
<b>GBMU4D20</b>															
GBMU4D20-B-130	400kg	M20	130	105	60	35	51	72			60	103		80	36,5
GBMU4D20-Z-130	400kg	M20	130	105	60	35	51	72			60	103		80	36,5
GBMU4D20-B-150	400kg	M20	150	115	60	35	51	72			60	103		80	36,5
GBMU4D20-Z-150	400kg	M20	150	115	60	35	51	72			60	103		80	36,5
<b>GBMU4DSHIELD</b>															
GBMU4DSHIELD-12-B-90	100kg	M12	90	70	35	24	31	47	88	56	50	85	24	70	37,5
GBMU4DSHIELD-12-Z-90	100kg	M12	90	70	35	24	31	47	88	56	50	85	24	70	37,5
GBMU4DSHIELD-16-B-110	200kg	M16	110	85	40	30	42	60	91	63	60	88	26	80	36,5
GBMU4DSHIELD-16-Z-110	200kg	M16	110	85	40	30	42	60	91	63	60	88	26	80	36,5

### GBMU4D12

P. 119



### GBMU4D16

P. 119



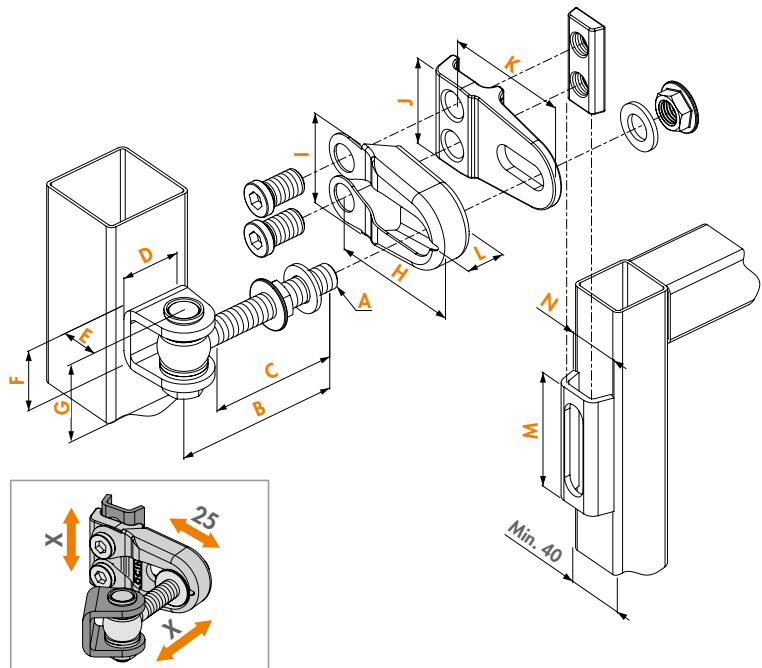
### GBMU4D20

P. 120



### GBMU4DSHIELD

P. 120





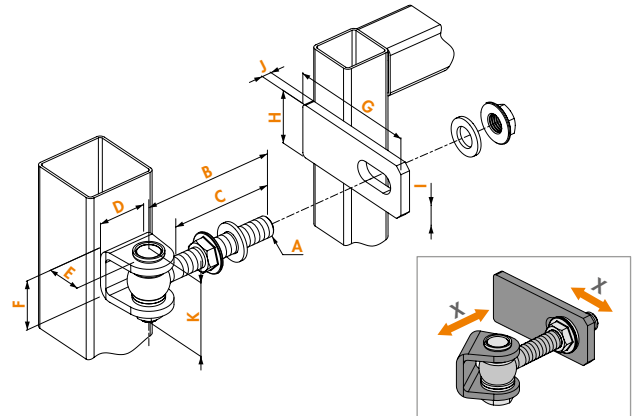
### 3-way adjustable 180° hinge

GBMU (Patented)

3-way adjustable hot-dip galvanized 180° hinge. Depth and spacing between gate and post are adjustable after installation. The welding parts are available in black steel or zinc plated.

#### Specifications

- ✔ Vandal-proof eyebolt & crossbolt
- ✔ 500h salt spray resistant



#### Order codes

Welding parts in black steel (B)	Welding parts zinc plated (Z)	kg	A	B	C	D	E	F	G	H	I	J	K
<b>GBMU-B-M12-90</b>	<b>GBMU-Z-M12-90</b>	100 kg	M12	Length 90 mm	70	35	24	31	90	35	13	6	47
<b>GBMU-B-M16-110</b>	<b>GBMU-Z-M16-110</b>	200 kg	M16	Length 110 mm	85	40	30	42	110	45	17	8	60
<b>GBMU-B-M16-150</b>	<b>GBMU-Z-M16-150</b>	200 kg	M16	Length 150 mm	125	40	30	42	110	45	17	8	60
<b>GBMU-B-M18-105</b>	<b>GBMU-Z-M18-105</b>	250 kg	M18	Length 105 mm	80	50	30	42	120	50	19	8	62
<b>GBMU-B-M18-150</b>	<b>GBMU-Z-M18-150</b>	250 kg	M18	Length 150 mm	125	50	30	42	120	50	19	8	62
<b>GBMU-B-M20-130</b>	<b>GBMU-Z-M20-130</b>	400 kg	M20	Length 130 mm	105	60	35	51	130	60	21	12	72
<b>GBMU-B-M20-150</b>	<b>GBMU-Z-M20-150</b>	400 kg	M20	Length 150 mm	115	60	35	51	130	60	21	12	72
<b>GBMU-B-M22-145</b>	<b>GBMU-Z-M22-145</b>	440 kg	M22	Length 145 mm	115	60	35	51	130	60	23	12	74
<b>GBMU-B-M22-160</b>	<b>GBMU-Z-M22-160</b>	440 kg	M22	Length 160 mm	130	60	35	51	130	60	23	12	74

### Hot-dip galvanized eyebolt set

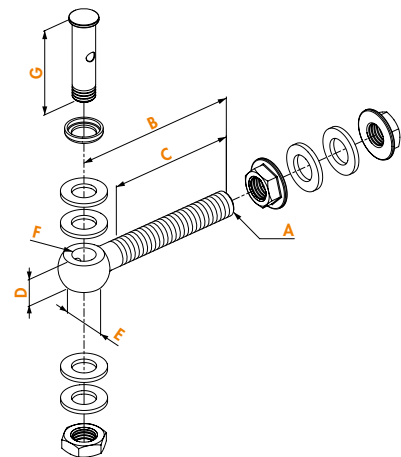
1034HDGA- (Patented)

Eyebolt set hot-dip galvanized. Vandal-proof.



#### Specifications

- ✔ Hot-dip galvanized bearing eyebolt, transverse bolt and screws
- ✔ Stainless steel ring (6 x DIN125A)
- ✔ Vandal-proof
- ✔ 500h salt spray resistant



#### Order codes

	A	B	C	D	E	F	G
<b>1034HDGA-M12-90</b>	M12	Length 90 mm	70	14	24	Ø12,5	47
<b>1034HDGA-M16-110</b>	M16	Length 110 mm	85	19	31	Ø14,5	60
<b>1034HDGA-M16-150</b>	M16	Length 150 mm	125	19	31	Ø14,5	60
<b>1034HDGA-M18-105</b>	M18	Length 105 mm	80	20	36	Ø16,5	62
<b>1034HDGA-M18-150</b>	M18	Length 150 mm	125	20	36	Ø16,5	62
<b>1034HDGA-M20-130</b>	M20	Length 130 mm	105	22	40	Ø18,5	72
<b>1034HDGA-M20-150</b>	M20	Length 150 mm	115	22	40	Ø18,5	72
<b>1034HDGA-M22-145</b>	M22	Length 145 mm	115	24	42	Ø20,5	74
<b>1034HDGA-M22-160</b>	M22	Length 160 mm	130	24	42	Ø20,5	74



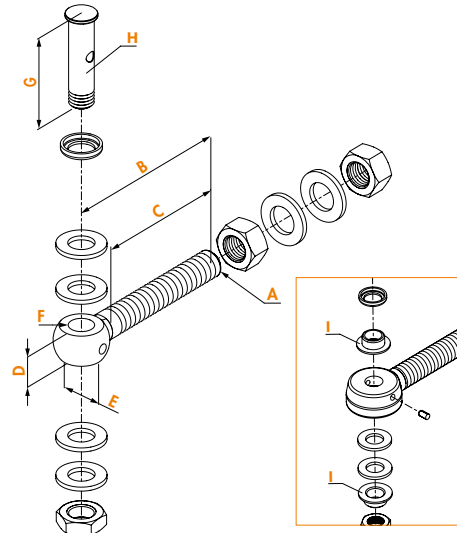
## Corrosion-resistant and vandal-proof eyebolt set

1034A2-

Corrosion-resistant and vandal-proof eyebolt set in stainless steel.

### Specifications

- ✔ M16 Eyebolt set in stainless steel, including: eyebolt, cross bolt, nuts and washers
- ✔ Vandal-proof
- ✔ 500h salt spray resistant



### Order code

1034A2-M16-110-50

A	B	C	D	E	F	G
M16	Length 110 mm	85	19	31	Ø14,5	60



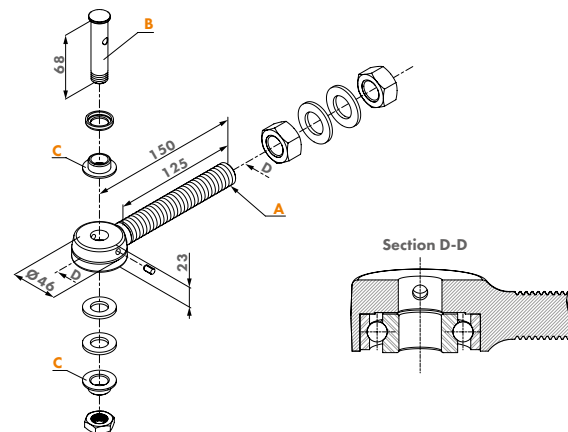
## Hot-dip galvanized bearing eyebolt for 3D and 4D hinges

1034ROLL-HDG-

This bearing eyebolt can be integrated in every GBMU M16 and M20 hinge. It guarantees a very flexible opening and closing of your gates. Perfect combination with Locinox gate closers. Resistant to vandalism.

### Specifications

- ✔ Recommended combination with Locinox gate closers
- ✔ Hot-dip galvanized bearing eyebolt, transverse bolt and screws
- ✔ Stainless steel ring (6 x DIN125A)
- ✔ Dual sealed stainless steel bearing
- ✔ Vandal-proof
- ✔ 500h salt spray resistant



### Order codes

1034ROLL-HDG-M16

1034ROLL-HDG-M20

A	B	C
Eyebolt M16	Crossbolt Ø14 mm	
Eyebolt M20	Crossbolt Ø14 mm	Ø19 => Ø14

# i Eyebolt set comparison

## EYEBOLT SETS

Stainless steel or hot dip galvanized bearing eyebolts are essential for the connection between pole and gate and enabling the rotating functionality of any hinge. We offer some vandal-proof options that can easily be combined with various other parts to become an industrial quality hinge. These sets include eyebolt, transverse or crossbolt and screws.

Order codes	Information								
	A	B	C	D	E	F	G	H	I
<b>1034HDGA</b>									
1034HDGA-M12-90	M12	90	70	14	24	Ø 12,5	47	Crossbolt M12	
1034HDGA-M16-110	M16	110	85	19	31	Ø 14,5	60	Crossbolt M14	
1034HDGA-M16-150	M16	150	125	19	31	Ø 14,5	60	Crossbolt M14	
1034HDGA-M18-105	M18	105	80	20	36	Ø 16,5	62	Crossbolt M16	
1034HDGA-M18-150	M18	150	125	20	36	Ø 16,5	62	Crossbolt M16	
1034HDGA-M20-130	M20	130	105	22	40	Ø 18,5	72	Crossbolt M18	
1034HDGA-M20-150	M20	150	115	22	40	Ø 18,5	72	Crossbolt M18	
1034HDGA-M22-145	M22	145	115	24	42	Ø 20,5	74	Crossbolt M20	
1034HDGA-M22-160	M22	160	130	24	42	Ø 20,5	74	Crossbolt M20	
<b>1034A2</b>									
1034A2-M16-110-50	M16	110	85	19	31	Ø 14,5	60	Crossbolt M14	
<b>1034ROLL-HDG-</b>									
1034ROLL-HDG-M16	M16	150	125	23	46		68	Crossbolt M14	
1034ROLL-HDG-M20	M20	150	125	23	46		68	Crossbolt M14	Ø 19 → Ø 14

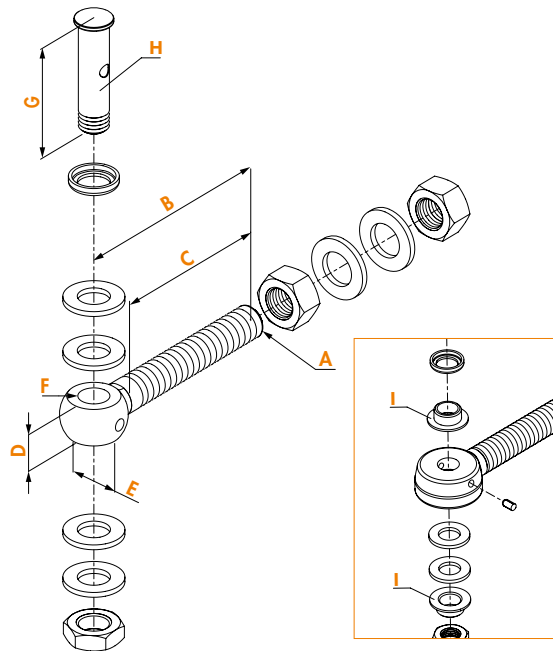
### 1034HDGA

P. 122



### 1034A2

P. 123



### 1034ROLL-HDG-

P. 123



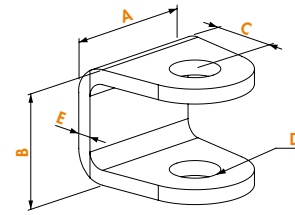




## U-shaped ear plate

1001U

U-shaped ear plate for 180° hinges. Compatible with GBMU / GBMU4D16 / GBMU4D20 / GBMU4DSHIELD hinges.



### Specifications

- ✓ U-shaped ear plate to weld on in black steel or zinc plated

### Order codes

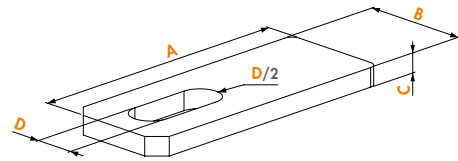
Black steel (B)	Zinc plated (Z)	A	B	C	D	E
1001U-B-12	1001U-Z-12	35	31	24	Ø13	4
1001U-B-16	1001U-Z-16	40	42	30	Ø15	6
1001U-B-18	1001U-Z-18	40	42	30	Ø17	6
1001U-B-20	1001U-Z-20	60	51	35	Ø19	8
1001U-B-22	1001U-Z-22	60	51	35	Ø21	8



## Groove plate

1002M

Groove plate to weld on for 180° hinges. Compatible with GBMU hinge.



### Specifications

- ✓ Black steel or zinc plated groove plate to weld on

### Order codes

Black steel (B)	Zinc plated (Z)	A	B	C	D
1002M-B-12	1002M-Z-12	90	35	6	13
1002M-B-16	1002M-Z-16	110	45	8	17
1002M-B-18	1002M-Z-18	120	50	8	19
1002M-B-20	1002M-Z-20	130	60	12	21
1002M-B-22	1002M-Z-22	130	60	12	23



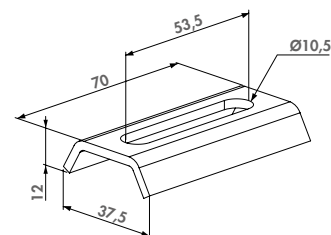
## Gate Claw

KLAUW12

Black steel or zinc plated gate claw to weld on. Compatible with GBMU4DSHIELD-12.

### Specifications

- ✓ Gate claw in black steel



### Order codes

Black steel (B)	Zinc plated (Z)	Compatible with GRIP12 & 4DFIX-I-12
KLAUW12-B	KLAUW12-Z	



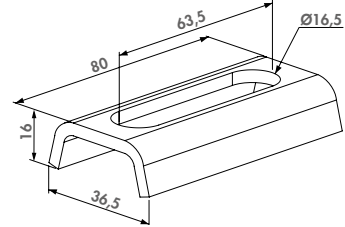
## Gate Claw

KLAUW-

Black steel or zinc plated welding part for a precise, strong and aesthetic connection to min. 40 mm profiles. Compatible with GBMU4D16, GBMU4D20 and Bearing Hinge.

### Specifications

- ✔ Gate claw in black steel or zinc plated



### Order codes

Black steel (B)

Zinc plated (Z)

**KLAUW-B**

**KLAUW-Z**

Compatible with GRIP16, GRIP20 & 4DFIX-I



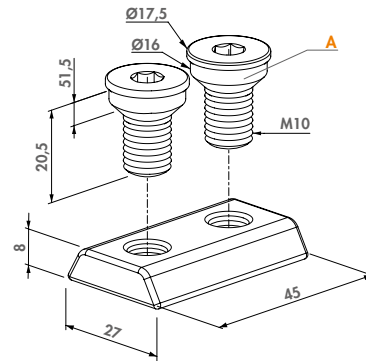
## Claw nut and bolts for 4D hinges

4DFIX-I-12

Hot-dip galvanized claw nut with stainless steel M10 bolts. Part of the GBMU4D12 hinge.

### Specifications

- ✔ Claw nut hot-dip galvanized
- ✔ 2 stainless steel bolts M10 x 20,5 mm
- ✔ Component of the GBMU4DSHIELD12 hinge



### Order code

**4DFIX-I-12**

**A**

Bolts: M10x20,5 mm (2x)



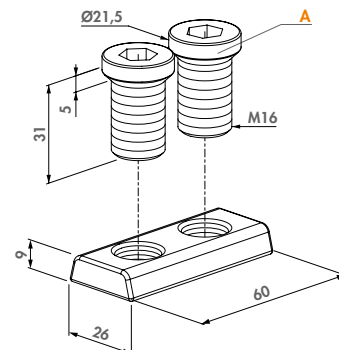
## Claw nut and bolts for 4D hinges

4DFIX-I

Hot-dip galvanized claw nut with stainless steel M16 bolts. Part of the GBMU4D16 and 20 hinge.

### Specifications

- ✔ Claw nut hot-dip galvanized
- ✔ 2 bolts M16 x 32 mm in stainless steel
- ✔ Component of the GBMU4D16 and GBMU20 hinges



### Order code

**4DFIX-I**

**A**

Bolts: M16x32 mm (2x)



## Fixation grip for hinge GBMU4D12

GRIP12

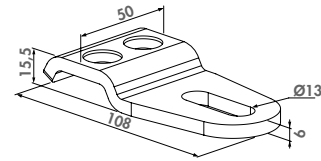
Fixation grip for hinge GBMU4D12

### Color options

6005 6009 7016 9005

### Specifications

- ✔ Hot-dip galvanized steel



### Order code

GRIP12

Compatible eyebolt set: 1034HDGA-M12-90



## Fixation grip for hinge GBMU4D16

GRIP16

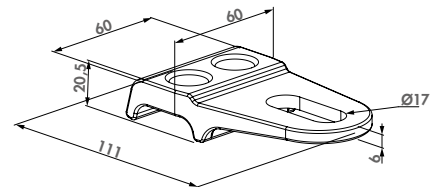
Fixation grip for hinge GBMU4D16

### Color options

ALUM 6005 6009 7016 9005

### Specifications

- ✔ Hot-dip galvanized steel
- ✔ Available in different colours



### Order code

GRIP16

Compatible eyebolt set: 1034HDGA-M16 or 1034ROLL-M16



## Fixation grip for hinge GBMU4D16 with larger depth adjustment

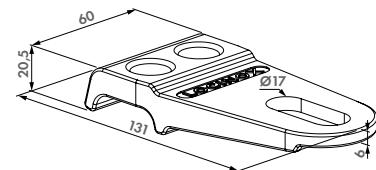
GRIP16-L-

This extra long GRIP out of hot-dip galvanized steel allows you to center mount a gate on a fixed post from 70 mm up to 120 mm. For GBMU4D 16 hinge only.

ALUM

### Specifications

- ✔ Hot-dip galvanized steel
- ✔ Only to be used with GBMU4D 16 hinge



### Order code

GRIP16-L-

Compatible eyebolt set: 1034HDGA-M16 or 1034ROLL-M16



## Fixation grip for hinge GBMU4D20

GRIP20

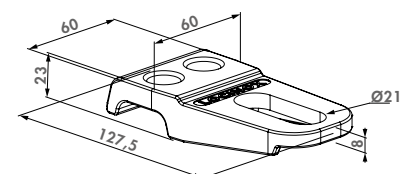
Fixation grip for hinge GBMU4D20

### Color options

ALUM 6005 6009 7016 9005

### Specifications

- ✔ Hot-dip galvanized steel
- ✔ Available in different colours



### Order code

GRIP20

Compatible eyebolt set: 1034HDGA-M20

## Vandal-proof one way 90° hinge

G90Z (Patented)



Vandal-proof hot-dip galvanized 90° hinge. This secured hinge is the perfect solution for all your small industrial gates. The eyebolt can not be tampered with when the gate is closed.

### Specifications

- ✓ 90° opening
- ✓ Nut in black steel for welding
- ✓ Earplate in black steel or cold zinc plated
- ✓ Vandal-proof
- ✓ 500h salt spray resistant

### Hinge parts



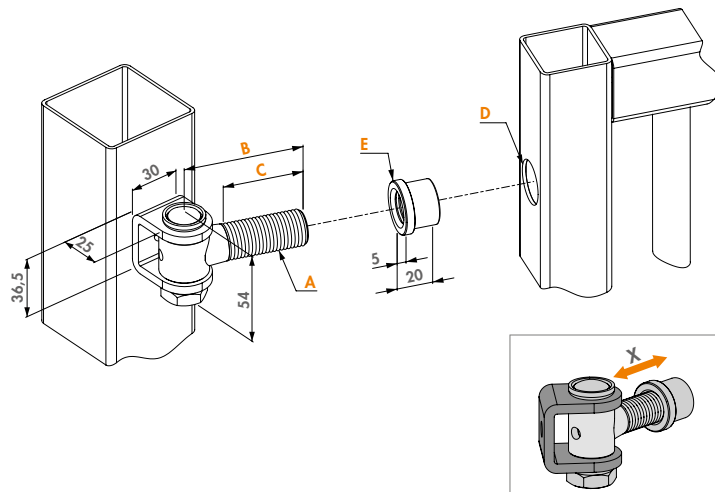
1036  
P. 131



1039SET  
P. 130



1127  
P. 131



### Order codes

Welding parts in black steel (B)		Welding parts zinc plated (Z)		kg	A	B	C	D	E
G90Z-B-M16-65	G90Z-Z-M16-65	150	M16	65 mm	47	Ø21	Ø25,5		
G90Z-B-M16-110	G90Z-Z-M16-110	150	M16	110 mm	92	Ø21	Ø25,5		
G90Z-B-M16-150	G90Z-Z-M16-150	150	M16	150 mm	132	Ø21	Ø25,5		
G90Z-B-M20-67	G90Z-Z-M20-67	300	M20	67 mm	45	Ø25	Ø29,5		
G90Z-B-M20-150	G90Z-Z-M20-150	300	M20	150 mm	128	Ø25	Ø29,5		

## Vandal-proof one way 90° hinge with adjustable welding nut

G90LR (Patented)



Vandal-proof hot-dip galvanized 90° hinge. This hinge is the perfect solution for all your small industrial gates. The eyebolt can not be tampered with when the gate is closed. With the LR welding nut you can easily adjust the hinge.

### Specifications

- ✓ 90° opening
- ✓ Adjustable nut zinc plated
- ✓ Zinc-plated earplate
- ✓ Vandal-proof
- ✓ 500h salt spray resistant

### Hinge parts



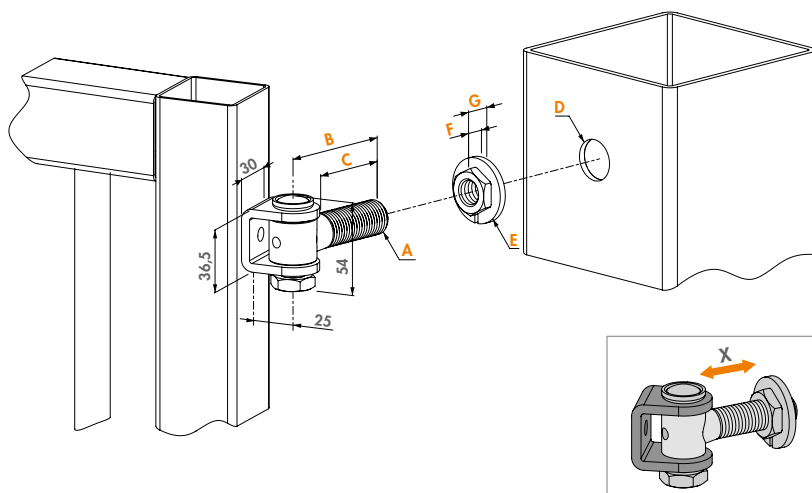
1036-Z  
P. 131



1039SET  
P. 130



LR  
P. 134



### Order codes

Welding parts zinc plated (Z)		kg	A	B	C	D	E	F	G
G90LR-Z-M16-65	150	M16	Length 65 mm	47	Ø26	Ø38	10	14,5	
G90LR-Z-M16-110	150	M16	Length 110 mm	92	Ø26	Ø38	10	14,5	
G90LR-Z-M16-150	150	M16	Length 150 mm	132	Ø26	Ø38	10	14,5	
G90LR-Z-M20-67	300	M20	Length 67 mm	45	Ø32	Ø46	11	17,5	
G90LR-Z-M20-150	300	M20	Length 150 mm	128	Ø32	Ø46	11	17,5	



## Vandal-proof one way 90° hinge with adjustable steel wall plate

G90WP (Patented)

Vandal-proof hot-dip galvanized 90° hinge. This secured hinge is the perfect solution for all your small and medium-sized gates. The eyebolt can not be tampered with when the gate is closed. Thanks to the wall plate with adjustable nut you can easily adjust the hinge.

### Specifications

- ✓ 90° opening
- ✓ Wall plate with adjustable nut
- ✓ Black steel ear plate for welding
- ✓ Vandal-proof
- ✓ 500h salt spray resistant

### Hinge parts



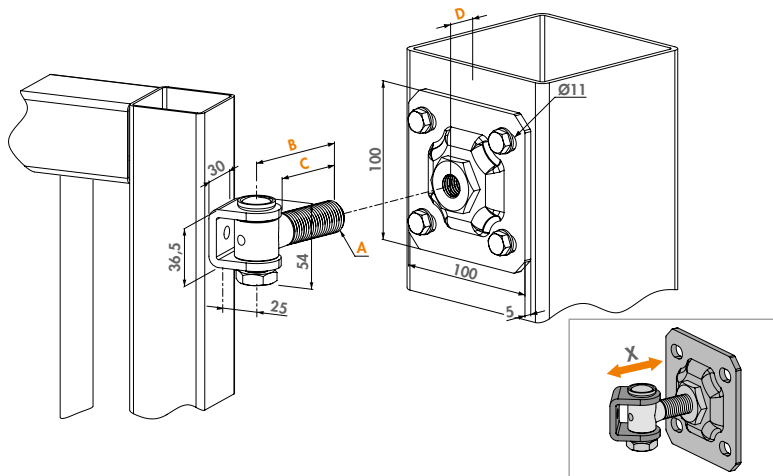
1036-B  
P. 131



1039SET  
P. 130



1005WP  
P. 134



### Order codes

Welding parts in black steel (B)

	kg	A	B	C	D
<b>G90WP-B-M16-65</b>	150 kg	M16	Length 65 mm	47	19
<b>G90WP-B-M16-110</b>	150 kg	M16	Length 110 mm	92	19
<b>G90WP-B-M16-150</b>	150 kg	M16	Length 150 mm	132	19
<b>G90WP-B-M20-67</b>	300 kg	M20	Length 67 mm	45	20
<b>G90WP-B-M20-150</b>	300 kg	M20	Length 150 mm	128	20

## Eyebolt set for earplate 1036

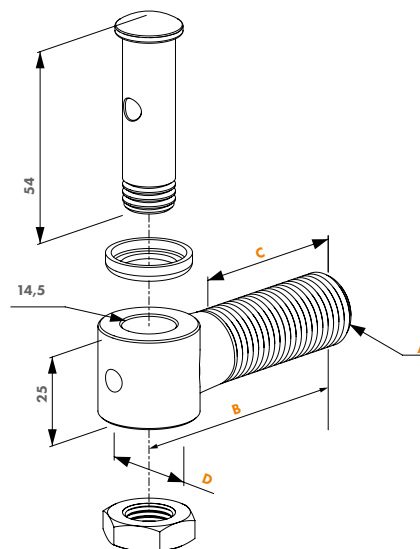
1039SET (Patented)

Eyebolt set for earplate 1036



### Specifications

- ✓ Eyebolt and hot-dip galvanized bolt
- ✓ 500h salt spray resistant



### Order codes

Hot-dip galvanized eyebolt set

	A	B	C	D
<b>1039SET-M16-65</b>	M16	Length 65 mm	47	23
<b>1039SET-M16-110</b>	M16	Length 110 mm	92	23
<b>1039SET-M16-150</b>	M16	Length 150 mm	132	23
<b>1039SET-M20-67</b>	M20	Length 67 mm	45	27
<b>1039SET-M20-150</b>	M20	Length 150 mm	128	27



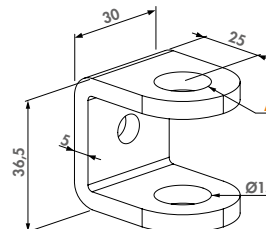
## Earplate for eyebolt 1039SET

1036

Earplate for hinge 1039SET

### Specifications

- ✔ U-shaped ear plate to weld on in black steel or zinc plated
- ✔ Compatible with eyebolt set 1039SET-M16 and M20



### Order codes

Black steel (B)

Zinc plated (Z)

**A**

**1036-B**

**1036-Z**

For crossbolt Ø14 mm



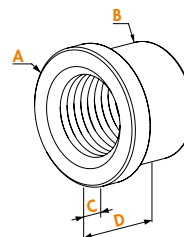
## Weld nut

1127

M16 or M20 weld nut

### Specifications

- ✔ Compatible with eyebolt set 1039SET
- ✔ Black steel or zinc plated welding nut



### Order codes

For eyebolt

Zinc plated (Z)

**A B C D**

**1127-M16**

**1127-Z-M16**

Ø25,5 Ø20,8 5 20

**1127-M20**

**1127-Z-M20**

Ø29,5 Ø24,8 5 20





## Ornamental hinge set with wall plate

G-ORNA-WP

Hot-dip galvanized hinge set including greaser and wall plate with adjustable nut for ornamental gates.

### Specifications

- ✓ Ornamental hinge set
- ✓ Black steel or zinc plated welding base
- ✓ Hot-dip galvanized wall plate
- ✓ Hot-dip galvanized clamp hinge with stainless steel bolt
- ✓ Welding base 35x35 mm, M20 clamp hinge

### Hinge parts



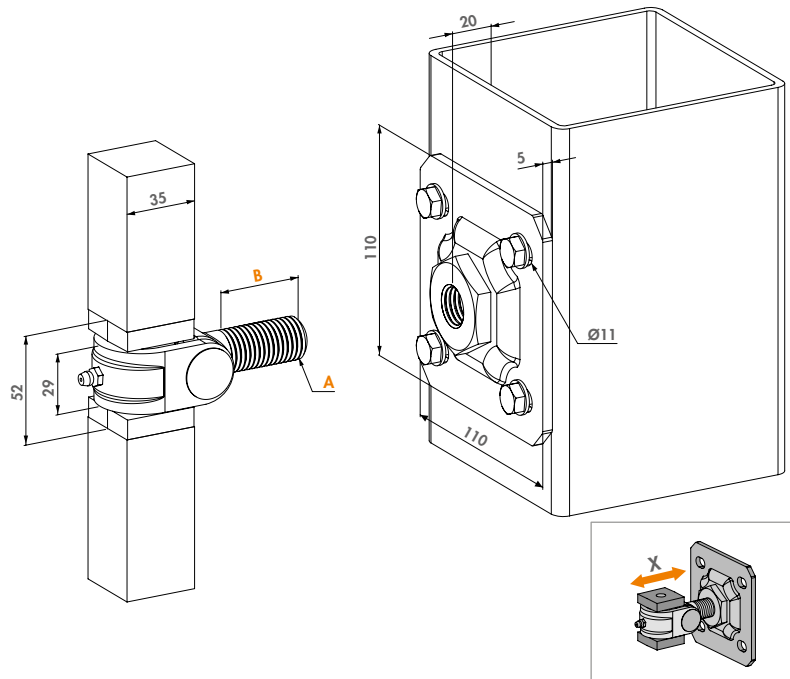
1002B  
P. 133



1004ORNA  
P. 133



1005WP-M20  
P. 134



### Order codes

Welding block in black steel (B)

**G-ORNA-WP-B-M20**



300 kg

**A**

M20

**B**

Length 40 mm

## Ornamental hinge set

G-ORNA-LR

Hot-dip galvanized hinge set including greaser and adjustable nut for ornamental gates.



### Specifications

- ✓ Ornamental hinge set
- ✓ Black steel or zinc plated welding base
- ✓ Zinc plated adjustable nut
- ✓ Hot-dip galvanized clamp hinge with stainless steel bolt

### Hinge parts



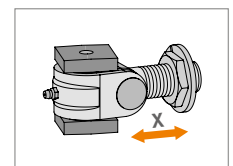
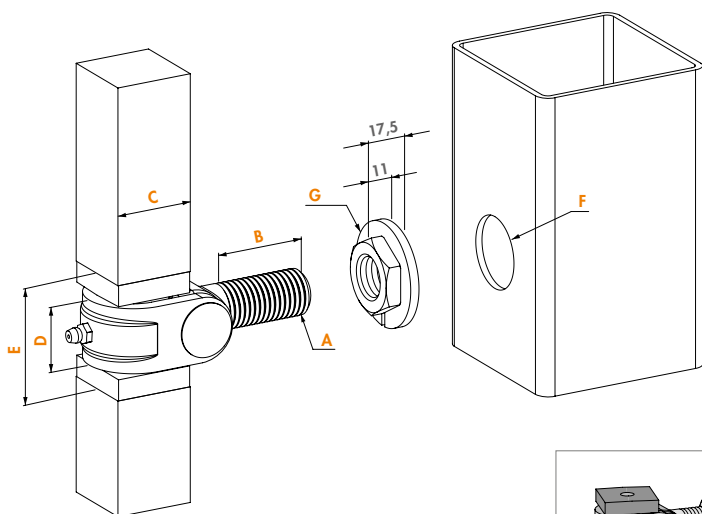
1002B  
P. 133



1004ORNA  
P. 133



LR  
P. 134



### Order codes

Welding block in black steel (B)

**G-ORNA-LR-B-M20**

Welding block zinc plated (Z)

**G-ORNA-LR-Z-M20**



300 kg

**A**

M20

**B**

Length 40 mm

**C**

Welding base 35

**D**

29

**E**

52

**F**

Ø32

Ø46

**G-ORNA-LR-B-M24**

400 kg

M24

Length 45 mm

Welding base 40

34

57

Ø35

Ø50

**G-ORNA-LR-B-M27**

500 kg

M27

Length 60 mm

Welding base 50

39

62

Ø38

Ø53



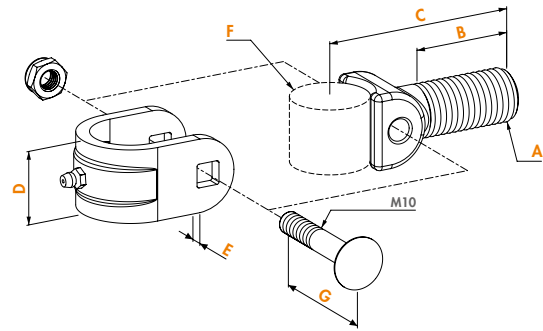
## Clamp hinge

1004ORNA

Hot-dip galvanized clamp hinge.

### Specifications

- ✔ Hot-dip galvanized clamp hinge with stainless steel bolt



### Order codes

	A	B	C	D	E	F	G
1004ORNA-M20	M20	Length 40 mm	81	29	6	Ø30	55
1004ORNA-M24	M24	Length 45 mm	89	34	6	Ø35	60
1004ORNA-M27	M27	Length 65 mm	106	39	6	Ø40	65



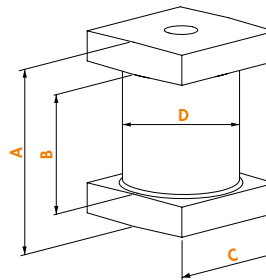
## Welding block for ornamental hinge

1002B

Black steel plated welding block for ornamental clamp hinges.

### Specifications

- ✔ Black steel plated welding base



### Order codes

Black steel (B)	A	B	C	D
1002B-B-35	52	32	35	Ø30
1002B-B-40	57	37	40	Ø35
1002B-B-50	62	42	50	Ø40





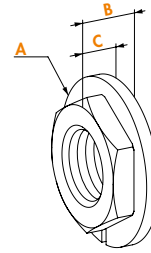
## Adjustable nut

LR

Zinc plated adjustable welding nut for ornamental gates. With this system you can finetune your installed gate.

### Specifications

- ✔ Adjustable welding nut, zinc-plated



### Order codes

	A	B	C
LR-M16	Ø38	15,5	10,5
LR-M20	Ø46	17,5	11
LR-M24	Ø50	17,5	11
LR-M27	Ø53	17,5	11

## Wall plate hot-dip galvanized

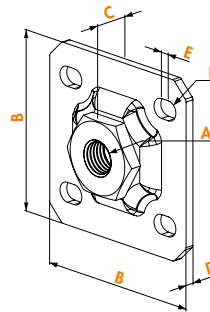
1005WP

Hot-dip galvanized wall plate with adjustable nut for garden gate hinges.



### Specifications

- ✔ Steel wallplate hot dip galvanized



### Order codes

	A	B	C	D	E	F
1005WP-M12	M12	60	15	3	5	Ø7
1005WP-M16	M16	100	19	5	5	Ø11
1005WP-M20	M20	100	20	5	5	Ø11





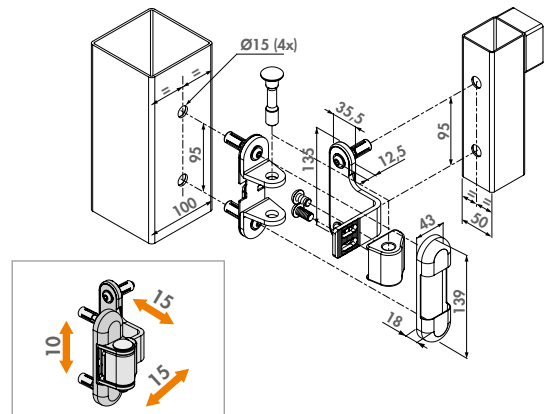
### 3-way adjustment hinge

3DM (Patented)

Stainless steel hinge for aluminium/metal gates equipped with the fast Quick-Fix system. The hinge is adjustable in three dimensions: height, left/right alignment and swing direction. Also available with hot-dip galvanized arm.

#### Specifications

- ✓ 180° hinge for metal & aluminium gates
- ✓ Innovative Quick-Fix mounting
- ✓ Reversible for left/right swinging gates
- ✓ 15 mm adjustable in width, 10 mm in height and 15 mm in depth
- ✓ Vandal-proof
- ✓ Hinge socket, axle and socket cover plate in stainless steel



#### Order codes

Hinge arm in stainless steel  
**3DM-VP100-P50-A2**

Hinge arm in hot-dip galvanized steel  
**3DM-VP100-P50-HDG**

 150 kg

**A**  
 For Quick-Fix Ø15 mm



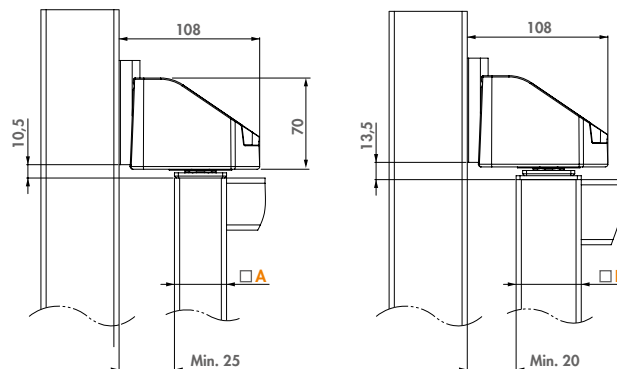
## Adjustable 90° hinge with bearing

### BEARING HINGE

Stainless steel maintenance free bearing hinge for mounting on all your automated gate projects. The hinge is adjustable in height and width.

#### Specifications

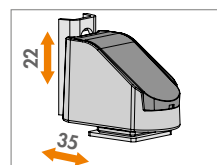
- ✓ Specially developed for automated gates
- ✓ Stainless steel housing
- ✓ Equipped with a stainless steel bearing
- ✓ Can be used as top & bottom hinge



#### Hinge part



KLAUW-  
P. 127



#### Order code

BEARING HINGE

200 kg

Gate frame 40x40 mm 50x50 mm



## 180° double bearing hinge

### DINO

The Dino hinge is a double bearing hinge in an aluminium housing. The stainless steel bearings guarantee a smooth opening and closing of the gate. Easy to install with Quick-Fix.

#### Color options

ZILV 9005

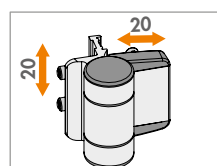
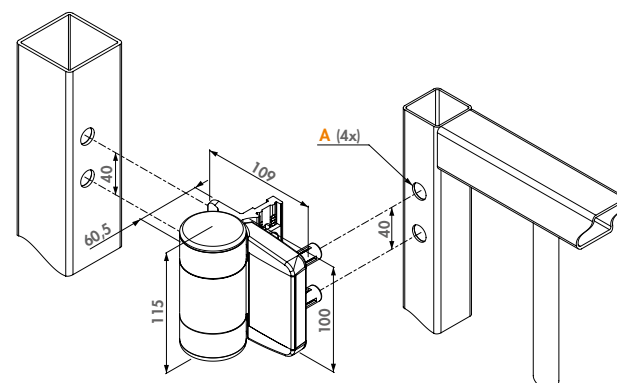
#### Specifications

- ✓ Aesthetic design & powder coated aluminium housing
- ✓ Fixing: Anti-theft & vandal-proof
- ✓ Fast and easy fixing with Quick-Fix

#### Compatible gate closer



MAMMOTH-180  
P. 14



#### Order code

DINO

150 kg

For Quick-Fix Ø15 mm

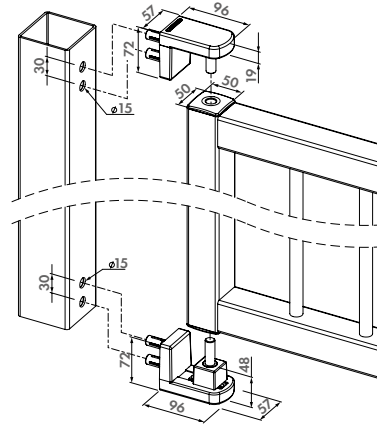


## Compact, 2-way 90° hinge interchangeable with Interio gate closer NOSEHINGE-I

Adjustable and compact 90° hinge interchangeable with our invisible Interio gate closer over time. The inner parts are made out durable extruded aluminium and guarantee thus a long life span. Easy installation guaranteed thanks to our patented Quick-Fix bolts. Given its sleek and aesthetic design, Nosehinge is a perfect fit for residential gates. For 50 mm gate frames only.

### Specifications

- ✔ Made out of extruded aluminum parts with plastic covers
- ✔ Easy to fix with Quick-Fix
- ✔ For left & right turning gates
- ✔ Interchangeable with Interio gate closer
- ✔ 15 mm width adjustable and 25 mm depth adjustable
- ✔ Includes two hinges, one for bottom and one for top
- ✔ Includes DURA-5050 gate plug for 50 mm gate frames
- ✔ Max width of the gate: 2500 mm
- ✔ Max weight of the gate: 120 kg



### Order code

NOSEHINGE-I

Gate frame 50x50 mm





## Vandal-proof 4D-hinge for wooden gates

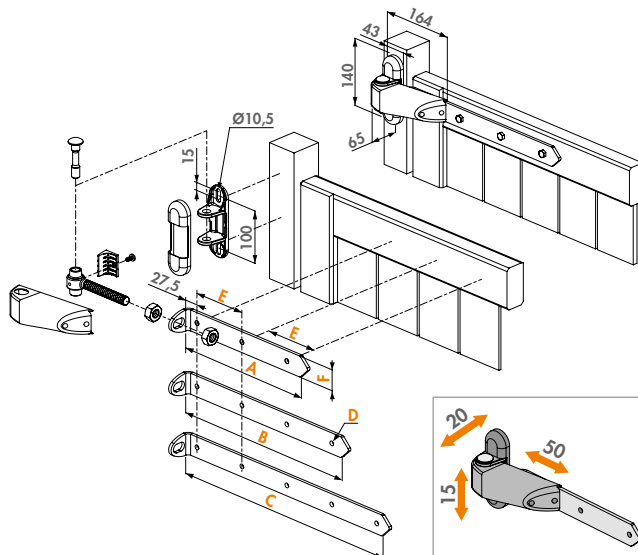
4DW (Patented)



Aesthetic, vandal proof hinge for wooden gates. The stainless steel hinge can be adjusted in 4 dimensions. Height, depth, left / right alignment and rotational direction can be adjusted. Adjustments can be made after installing the hinges. This way your gate is always perfectly aligned.

### Specifications

- ✔ 180° hinge for wooden gates
- ✔ Adjustable in 4 dimensions: height, depth, left / right alignment and rotational direction
- ✔ ± 50 mm longitudinal adjustability
- ✔ 20 mm depth adjustability (14 mm outside and 6 mm inside of fixed pole)
- ✔ Vandal-proof
- ✔ Available with 300, 400 or 500 mm stainless steel hinge arm
- ✔ Perfect in combination with the H-Wood lock and SHKW keep



### Order codes

Hinge arm in stainless steel	kg	A	B	C	D	E	F
<b>4DW-300-A2</b>	150	Length 300 mm			Ø9 (3x)	110	40
<b>4DW-400-A2</b>	150		Length 400 mm		Ø9 (4x)	110	40
<b>4DW-500-A2</b>	150			Length 500 mm	Ø9 (5x)	110	40

## 180° 3-way adjustment hinge for wooden gates

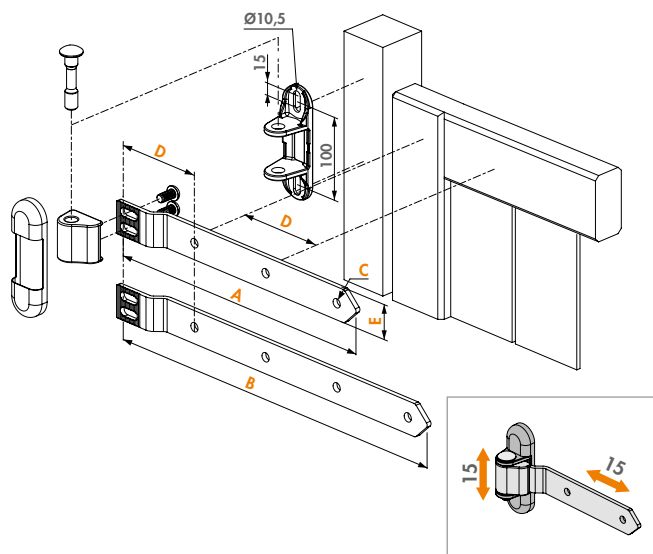
3DW (Patented)



Stainless steel hinge for wooden gates. The hinge is adjustable in three dimensions: height, left/right alignment and swing direction. Also available with hot-dip galvanized arm.

### Specifications

- ✔ 180° hinge for wooden gates
- ✔ Reversible for left/right swinging gates
- ✔ Vandal-proof
- ✔ Hinge socket, axle and socket cover plate in stainless steel
- ✔ Available in RAL 9005



### Order codes

Hinge arm in stainless steel	Hinge arm in hot-dip galvanized steel	kg	A	B	C	D	E
<b>3DW-350-A2</b>	<b>3DW-350-HDG</b>	350	Length 350 mm			Ø11 (3x)	110 40
	<b>3DW-450-HDG</b>	350		Length 450 mm		Ø11 (4x)	110 40



## Compact 2-way adjustable 180° surface mounted hinge

PUMA

The Puma hinge is a compact surface mounted hinge with a powder coated aluminium housing. Its 180° opening angle together with its vertical and horizontal adjustability make the hinge flexible. Simple to install thanks to the Quick-Fix fastening system; no welding needed. This hinge easily supports gates up to 1 metre wide and 60 kg. The Puma hinge's aesthetic design perfectly fits aluminium and smaller residential gates.

### Color options

ZILV 9005

### Specifications

- ✔ For gates up to 1 m wide and 60 kg
- ✔ For left and right opening gates
- ✔ 15 mm adjustable in width and 20 mm in height
- ✔ No welding required: drill holes and fix with Quick-Fix

### Compatible with TIGER gate closer

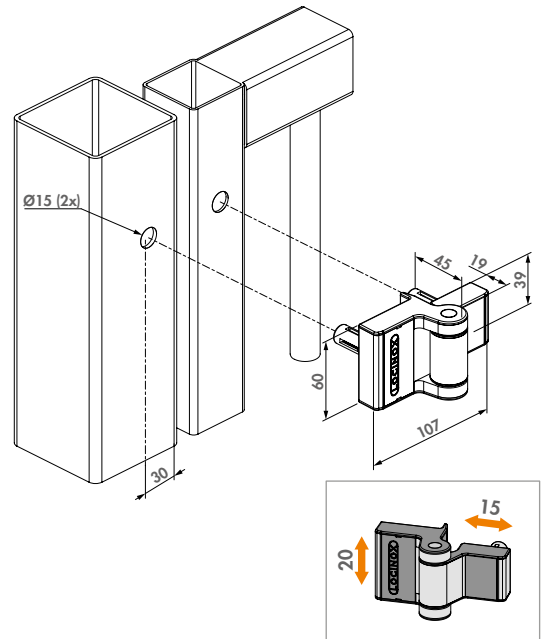


TIGER  
P. 13

### Order code

PUMA

60 kg 2 x Quick-Fix



## Spring hinge for garden gates

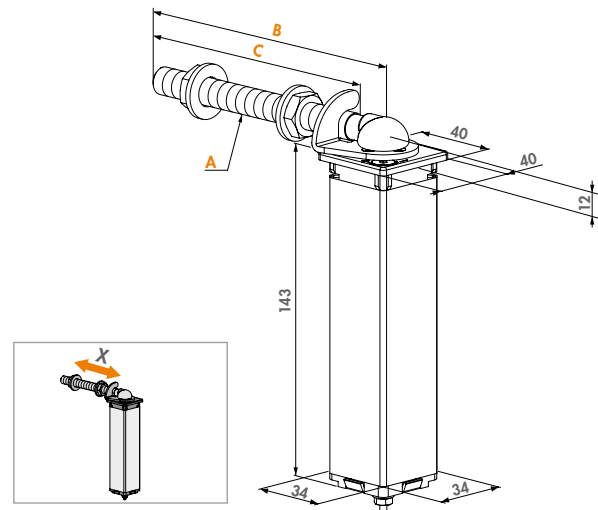
SWING40 (Patented)



Spring hinges for garden gates and pedestrian gates. The set can easily be fitted inside a 40x40 mm tubing. The force can be adjusted by means of an Allen key.

### Specifications

- ✔ One for the top, one for the bottom
- ✔ Fixing: slides in gate frame
- ✔ Only for gate frames 40x40/2 mm
- ✔ Reversible: left/right
- ✔ Adjustable spring tension: M3 allen key
- ✔ Maximum width of the gate: 1300 mm
- ✔ Maximum weight: 75 kg
- ✔ Maximum profile thickness: 2 mm



### Order codes

Hangerbolt length	kg	A	B	C
SWING40-130	75	M12	Length 130 mm	110
SWING40-150	75	M12	Length 150 mm	130



## Hinge set with polyamide plugs for garden gates

GBM12

Stainless steel garden gate hinge set. The set consists of 2 threaded M12 hinge axes with polyamide hinge plugs. The economical quality solution for all your garden/walk gate projects.

### Specifications


- ✔ Hinge axle M12 in stainless steel
- ✔ Plug available for profile 30x30 mm or 40x40 mm
- ✔ Length of the threaded axle: 130 mm or 150 mm
- ✔ Fixing: slide in plug

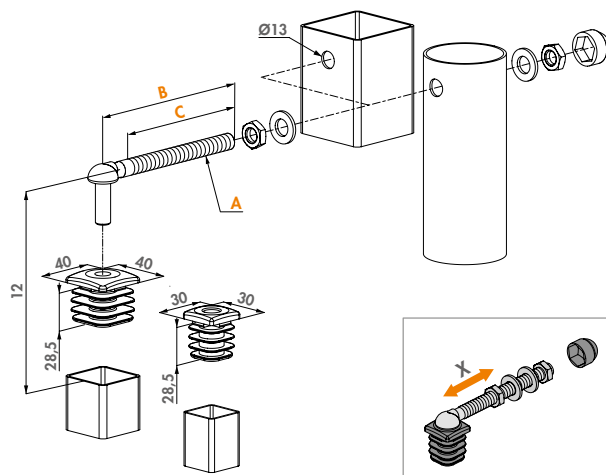
### Hinge part



1040TPS-M12-  
P. 145

### Order codes

For square profiles 30 x 30 mm	For square profiles 40 x 40 mm		A	B	C
<b>GBM12-30-130</b>	<b>GBM12-40-130</b>	60 kg	M12	Length 130 mm	110
<b>GBM12-30-150</b>	<b>GBM12-40-150</b>	60 kg	M12	Length 150 mm	130



## Hinge set with aluminium plugs for garden gates

GBM12-DP (Patented)

Stainless steel garden gate hinge set with reinforced aluminium plugs for extra stability. The economical quality solution for all your garden/walk gate projects.



### Specifications

- ✔ Hinge set with aluminium reinforced hinge post plugs
- ✔ Hinge axle M12 in stainless steel
- ✔ Plug available for profile 40x40 mm
- ✔ Length of the threaded axle: 130 mm or 150 mm
- ✔ Fixing: slide in plug

### Hinge parts



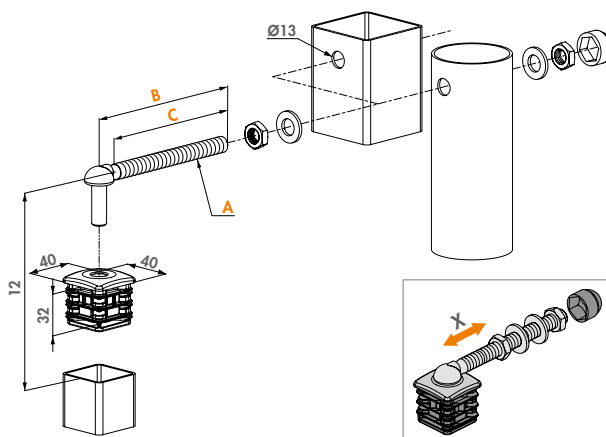
1040TPS-M12-  
P. 145



**DURA**  
P. 144

### Order codes

Hangerbolt length		A	B	C
<b>GBM12-DP-40-130</b>	75 kg	M12	Length 130 mm	110
<b>GBM12-DP-40-150</b>	75 kg	M12	Length 150 mm	130





## Hinge set with polyamide plugs for garden gates

GBM16

Hot-dip galvanized hinge set. The set consist of 2 threaded M16 hinge axles with polyamide hinge plugs. The economical quality solution for all your garden/walk gate projects.

### Specifications

- ✓ With plastic hinge plug 40x40 mm
- ✓ Hinge axle M16 in hot-dip galvanized steel
- ✓ Length of the threaded axle: 160 mm or 180 mm
- ✓ Fixing: slide in plug

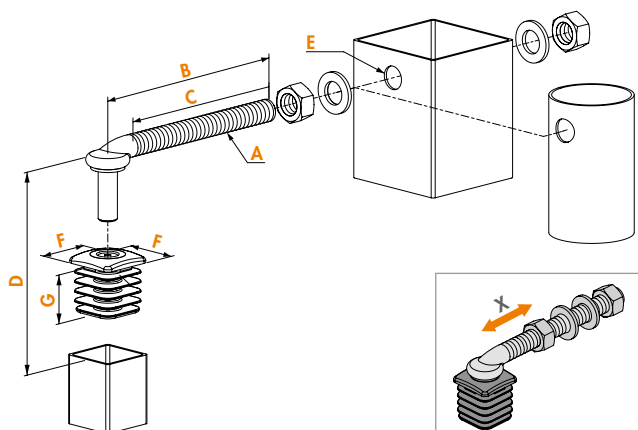
### Hinge part



1040HDSM16-  
P. 145

### Order codes

Hangerbolt length	kg	A	B	C
<b>GBM16-40-160</b>	75 kg	M16	Length 160 mm	135
<b>GBM16-40-180</b>	75 kg	M16	Length 180 mm	155



## Hinge set with aluminium plugs for garden gates

GBM16-DP (Patented)

Hot-dip galvanized steel garden gate hinge set with reinforced aluminium plugs for extra stability. The economical quality solution for all your garden/walk gate projects.

### Specifications

- ✓ Hinge set with aluminium reinforced hinge post plugs
- ✓ Hinge axle M16 in hot-dip galvanized steel
- ✓ Plug available for profile 40x40 mm or 50x50 mm
- ✓ Length of the threaded axle: 160 mm or 180 mm
- ✓ Fixing: slide in plug

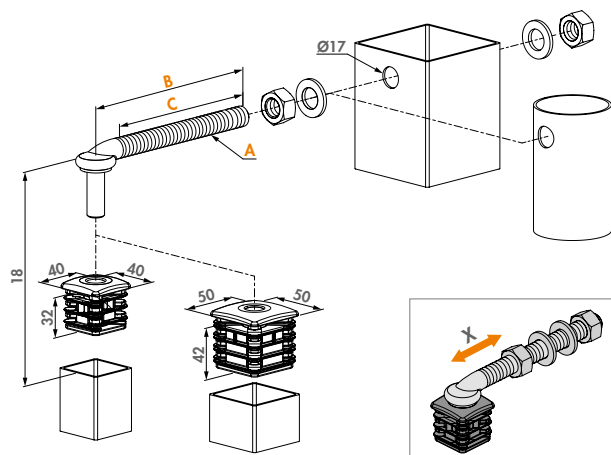
### Hinge parts



1040HDSM16- DURA  
P. 145 P. 144

### Order codes


For square profiles 40 x 40 mm	For square profiles 50 x 50 mm	kg	A	B	C
<b>GBM16-DP-40-160</b>	<b>GBM16-DP-50-160</b>	100 kg	M16	Length 160 mm	135
<b>GBM16-DP-40-180</b>	<b>GBM16-DP-50-180</b>	100 kg	M16	Length 180 mm	155



# GBM comparison

## GARDEN GATES HINGES

We have several economical quality solutions for garden or pedestrian gates. These are made of stainless steel or hot-dip galvanized steel and come with polyamide or aluminium plugs for fixation in the gate profile.

Order codes		Material	Information						
			A	B	C	D	E	F	G
<b>GBM12</b>									
GBM12-30-130	60kg	Stainless steel	M12	130	110	12	Ø 13	30	28,5
GBM12-40-130	60kg	Stainless steel	M12	130	110	12	Ø 13	40	28,5
GBM12-30-150	60kg	Stainless steel	M12	150	130	12	Ø 13	30	28,5
GBM12-40-150	60kg	Stainless steel	M12	150	130	12	Ø 13	40	28,5
<b>GBM12-DP</b>									
GBM12-DP-40-130	75kg	Stainless steel	M12	130	110	12	Ø 13	40	32
GBM12-DP-40-150	75kg	Stainless steel	M12	150	130	12	Ø 13	40	32
<b>GBM16</b>									
GBM16-40-160	75kg	Galvanized	M16	160	135	18	Ø 17	40	33,5
GBM16-40-180	75kg	Galvanized	M16	180	155	18	Ø 17	40	33,5
<b>GBM16-DP</b>									
GBM16-DP-40-160	100kg	Galvanized	M16	160	135	18	Ø 17	40	32
GBM16-DP-50-160	100kg	Galvanized	M16	160	135	18	Ø 17	50	42
GBM16-DP-40-180	100kg	Galvanized	M16	180	155	18	Ø 17	40	32
GBM16-DP-50-180	100kg	Galvanized	M16	180	155	18	Ø 17	50	42

Hinges for small gates

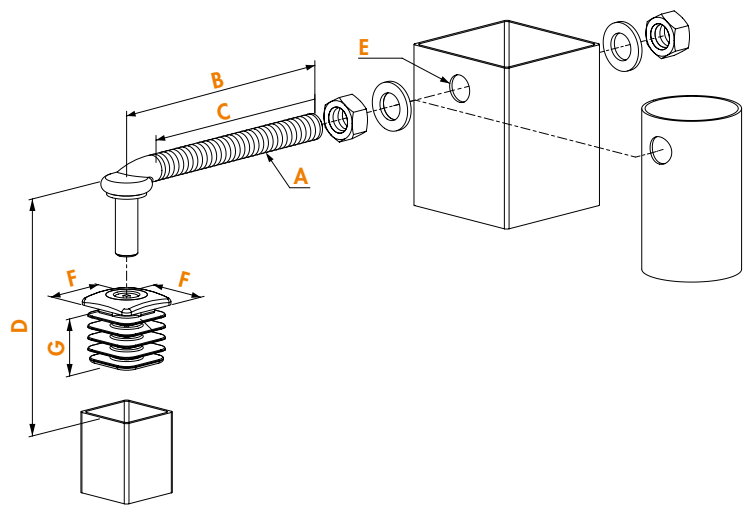
**GBM12**  
P. 141

**GBM12-DP**  
P. 141



**GBM16**  
P. 142

**GBM16-DP**  
P. 142





## Hinge set for garden gates

GAM 12

Stainless steel garden gate hinge set. The set consists of 2 threaded M12 hinge axles with 2 black steel welding ears. The economical quality solution for all your garden/walk gate projects.

### Specifications

- ✓ Hinge axle M12 in stainless steel
- ✓ Length of the threaded axle: 130 mm or 150 mm
- ✓ Welding ear in black steel

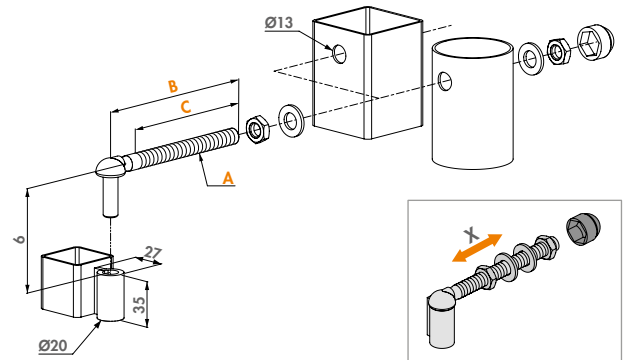
### Hinge parts



1040TPS-M12- P. 145      1041-01 P. 144

### Order codes

Hangerbolt length	kg	A	B	C
GAM12-130	100 kg	M12	Length 130 mm	110
GAM12-150	100 kg	M12	Length 150 mm	130



Hinges for small gates



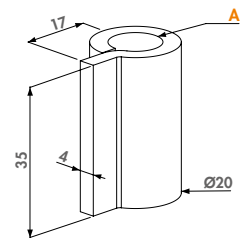
## Welding ear in black steel

1041-01

Welding ear in black steel. Compatible with hinge axle 1040TPS-M12. Just weld on the ear to your gate and it's ready for coating. A basic hinge solution for your small garden gates.

### Specifications

- ✓ Component of the GAM 12 hinge



### Order code

1041-01

**A**  
For hangerbolt axle Ø12



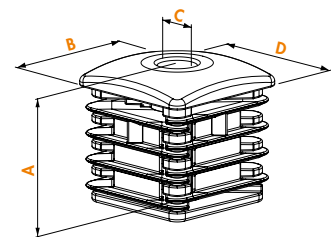
## Aluminium reinforced post plug for hinges

DURA (Patented)

Hinge plug reinforced with aluminium for extra stability.

### Specifications

- ✓ Aluminium reinforced hinge plug



### Order codes

For 1040-TPS-M12	For 1040-HDS-M16	A	B	C	D
DURA-4040-12	DURA-4040-16	32	40	Ø11/Ø14	40
	DURA-5050-16	47	50	Ø14	50



## Stainless steel hinge axle M12

1040TPS-M12-

Stainless steel hinge axle M12. Available in 2 versions: 130 or 150 mm.

### Specifications

- ✔ Stainless steel M12 hangerbolt

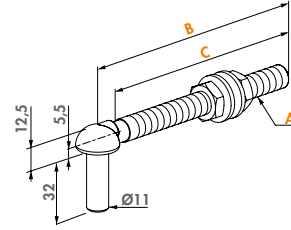
### Order codes

Hangerbolt length

1040TPS-M12-130

1040TPS-M12-150

	A	B	C
M12 Length 130 mm	110		
M12 Length 150 mm	130		



## Hot-dip galvanized hinge axle M16

1040HDSM16-

Hot-dip galvanized hinge axle M16. Compatible with hinge plug DURA-4040-16 and DURA-5050-16.

### Specifications

- ✔ Hot-dip galvanized hangerbolt M16

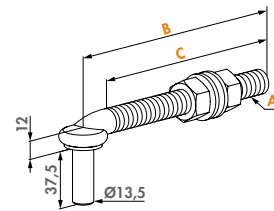
### Order codes

Hangerbolt length

1040HDS-M16-160

1040HDS-M16-180

	A	B	C
M16 Length 160 mm	135		
M16 Length 180 mm	155		







# DROP BOLTS & GROUND CATCHERS

The Locinox range of drop bolts and ground stops offers a wide array of solutions. From the economical VSF drop bolt to our internal SUBY drop bolt, which is the top of the line in terms of ease of use and aesthetics.



## Motorized electrical drop bolt with fail close functionality

ELECTRADROP (Patented)

Electric 24V drop bolt with 115 mm throw for safe locking of automated swing gates. By securing your gate with an Electradrop you disburden the electric gate motors.

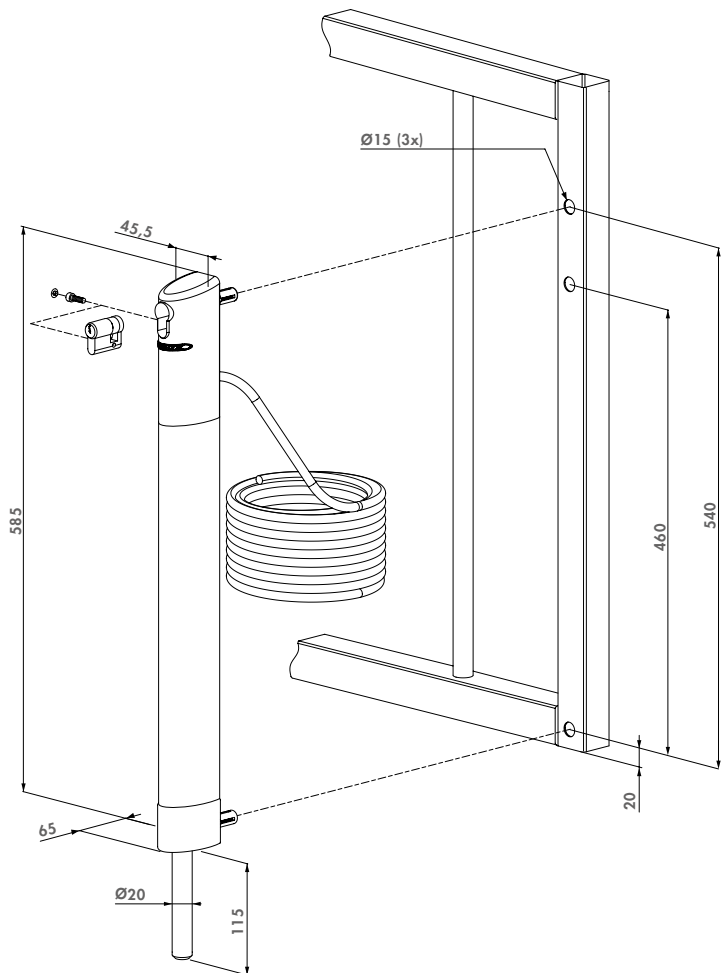


### Color options

ZILV 9005

### Specifications

- ✔ Vandal-proof, powder coated aluminium housing
- ✔ To be connected to the warning light on automated gates (min 3 sec prewarning signal) or directly on the gate automation
- ✔ Mechanical release possible (by key) in case of emergency
- ✔ The integrated obstacle detection will automatically stop the drop bolt movement in case of overpressure to avoid injuries.
- ✔ Power consumption: Normal: 25 W / Peak: 48W / Standby: 0,2 W
- ✔ 5 m cable included
- ✔ Included: 3012-37-STD cylinder
- ✔ To connect to a Locinox DC-POWER-24V-25W or PowerStone-24V-60W power supply



### Order code

**ELECTRADROP** For profiles 40 x 40 mm or more



### Compatible products



OGS  
P. 154



SABO  
P. 154

## NEW Motorized electrical drop bolt with Fail Open functionality

ELECTRADROP-R (Patent pending)

Electric 24V drop bolt with 120 mm throw for safe locking of automated swing gates. The long-lasting internal batteries automatically lift the drop bolt in case of a power outage, eliminating the need for a key. Thus assuring a free exit of the premises. By securing your gate with an Electradrop you add an additional secure latching and disburden the electric gate motors.



### Color options

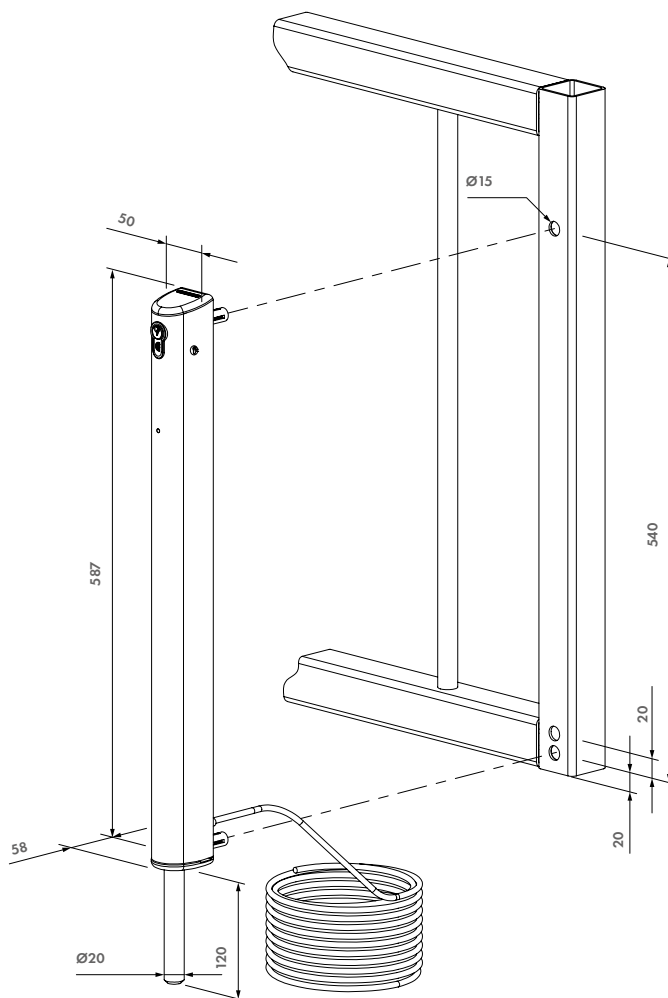
9005 ZILV

### Specifications

- ✔ Fail Open functionality thanks to integrated back-up batteries (10y lifetime)
- ✔ To be connected to the warning light output of the gate automation (3 sec Pre-flashing time)
- ✔ Automatic end of range detection and slow stop function
- ✔ Low battery warning light
- ✔ Very strong: > 1000 kg holding force
- ✔ Drop bolt diameter: 20 mm
- ✔ Power consumption: Normal: 25 W / Peak: 55W / Standby: 0,2 W
- ✔ To connect to a Locinox PowerStone-24V-60W power supply
- ✔ Support for horizontal installation

### Order codes

<b>ELECTRADROP-R</b>	Motorized electrical drop bolt with Fail Open functionality
<b>ELECTRADROP-R-P</b>	Electrical drop bolt with bolt position feedback and Fail Open functionality



### Compatible products



OGS  
P. 154



SABO  
P. 154

Drop bolts & ground catchers



## Surface mounted drop bolt

VSA / VSF

Standard drop bolts with the innovative Quick-Fix. The drop bolt is auto-locked between the double wings.

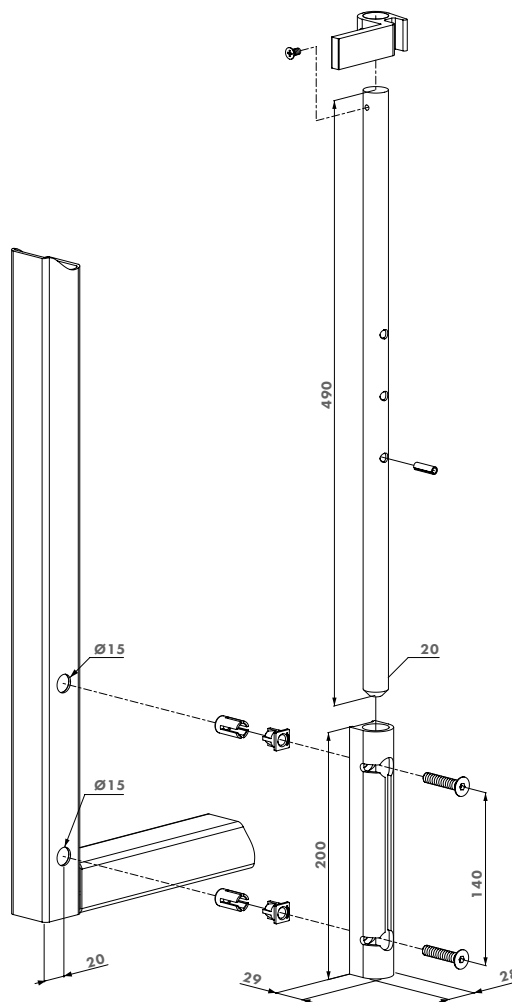


### Color options

ALUM 6005 6009 7016 9005

### Specifications

- ✔ Type VSF: hot-dip galvanized pin
- ✔ Type VSA: aluminium pin
- ✔ With aluminium head block
- ✔ For profiles as of 40 mm or more
- ✔ Height adjustability of the drop bolt: 100 mm
- ✔ Throw: 140 mm
- ✔ Locks itself between the wings of the gate
- ✔ Fast and easy fixing with Quick-Fix
- ✔ Easy to retrofit



### Compatible ground stops



OGS  
P. 154



SABO  
P. 154



### Order codes

VSA-K-QF1BL With aluminium pin

VSF-K-QF1BL With hot-dip galvanized pin

## Lockable drop bolt

KEYDROP (Patented)

Lockable drop bolt interchangeable with the standard VSA-VSF drop bolts. This product enables you to lock the drop bolt in open or closed position.

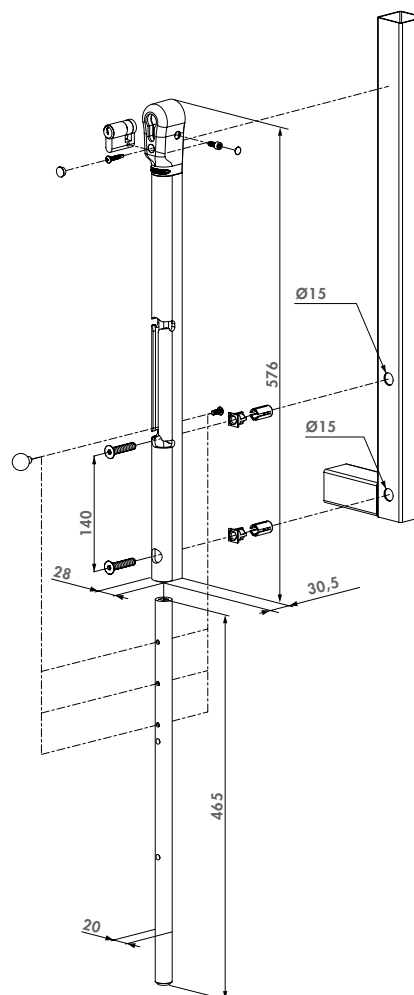


### Color options

ZILV 6005 7016 9005

### Specifications

- ✔ Throw: 140 mm
- ✔ Lockable drop bolt with cylinder
- ✔ Same drilling pattern as VSF and VSA
- ✔ Possibility to work with same key as gate lock
- ✔ Height adjustability of the drop bolt: 100 mm
- ✔ Height adjustability in 3 positions: 50 mm / position
- ✔ The gate can be locked in open or closed position
- ✔ For gate profiles 40x40 mm or more



### Order code

KEYDROP For profiles 40 x 40 mm or more



### Compatible ground stops



OGS  
P. 154



SABO  
P. 154



## Internal drop bolt

SUBY (Patented)

Internal aluminium drop bolt. The drop bolt is operated at a convenient height. The aesthetical solution for all your double-wing gates.

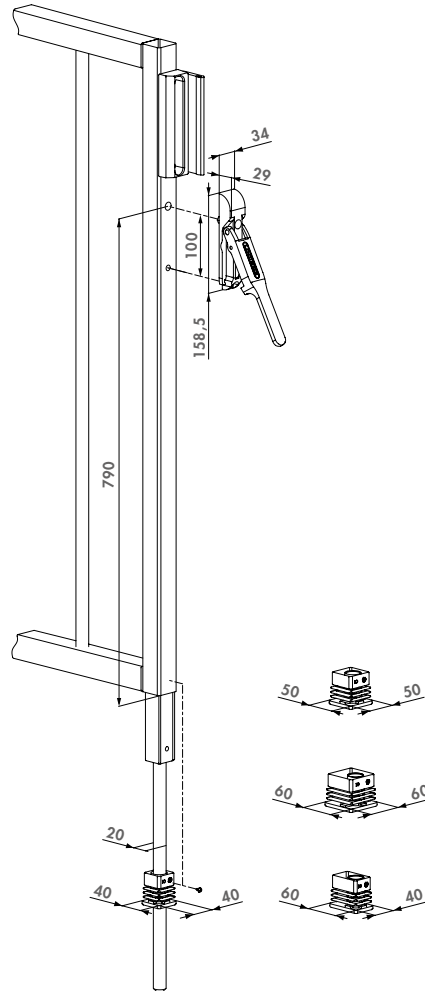


### Color options

ZILV 6005 6009 9005

### Specifications

- ✔ Height adjustability of the drop bolt: 100 mm
- ✔ Throw: 120 mm
- ✔ Internal dropbolt in aluminium
- ✔ Steel handle with black overmoulded polyamide provides the optimal combination between robustness, ergonomoy and protection against corrosion
- ✔ Internal push spring guarantees a perfect closure (even if the drop bolt is blocked by dirt inside the ground stop) and prevents overpressure
- ✔ Designed for profiles up to 3 mm thick
- ✔ Fast & easy fixing: 2 screws
- ✔ User-friendly manipulation of the drop bolt at a convenient height
- ✔ For gate profiles: 40x40 mm, 50x50 mm, 60x60 mm and 60x40 mm



### Order code

**SUBY** For gate profiles 40x40 mm, 50x50 mm, 60x60 mm and 60x40 mm



### Compatible ground stops



CGS  
P. 153



EGS  
P. 153



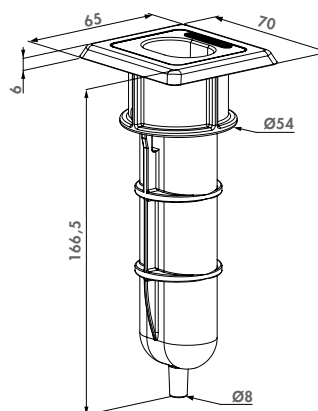
## Economic ground catcher

EGS

Economic ground catcher for drop bolts with maximum axle of  $\varnothing 20$  mm. With draining hole.

### Specifications

- ✔ Simple and economic ground stop to put into concrete
- ✔ Without stop plate
- ✔ Hot-dip galvanized base-plate with polypropylene catcher
- ✔ For drop bolts with a maximum axle of  $\varnothing 20$  mm



### Compatible drop bolts



SUBY  
P. 152

KEYDROP  
P. 151

VSA / VSF  
P. 150

ELECTRADROP  
P. 148

### Order code

EGS Economic ground stop, without stop plate

## Centered ground stop

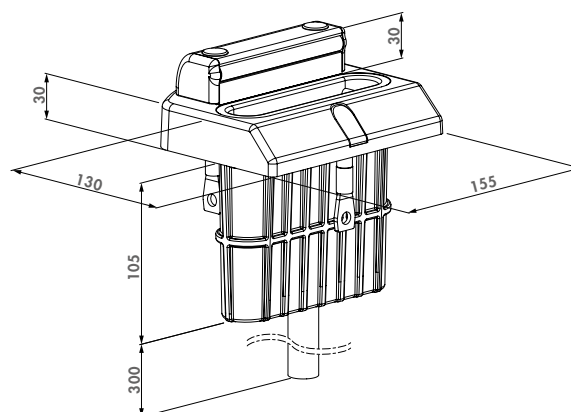
CGS

Strong ground stop for double wings. Advised in combination with the internal SUBBY drop bolt. The CGS has a removable recipient for easy and fast cleaning.



### Specifications

- ✔ Glass Fibre reinforced Polypropylene base with anodised Aluminium bumper
- ✔ Only suitable with internal SUBBY drop bolts
- ✔ Adjustable stop plate for 40 mm till 60 mm gate frames
- ✔ Removable polyamide cleaning recipient
- ✔ With water evacuation hose



### Compatible drop bolt



SUBBY  
P. 152

### Order code

CGS Adjustable stop plate for 40 mm to 60 mm gate frames



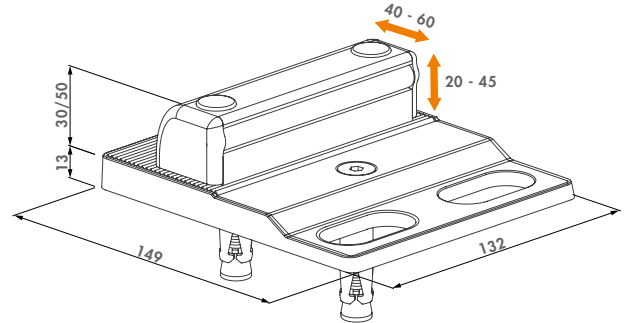
## Bolt-on off-centered ground stop

SABO

Strong surface mounted aluminum ground stop for double wing gates. Drop bolts with a maximum axle of  $\varnothing 20$  mm are the perfect fit.

### Specifications

- ✔ Surface mounted design, suitable for surface mounted drop bolts
- ✔ Maximum drop bolt axle diameter:  $\varnothing 20$  mm
- ✔ Adjustable in height: distance between finished ground level & bottom of the gate: 20 to 45 mm
- ✔ Adjustable in depth, different gate profiles possible: VSA - VSF - Keydrop: 40 to 60 mm; Electradrop: 40 to 50 mm
- ✔ Anchor pins included
- ✔ Material: black anodized aluminium top plate



### Order code

**SABO** Bolt-on off-centered ground stop

### Compatible drop bolts



**ELECTRADROP**  
P. 148



**KEYDROP**  
P. 151



**VSA / VSF**  
P. 150



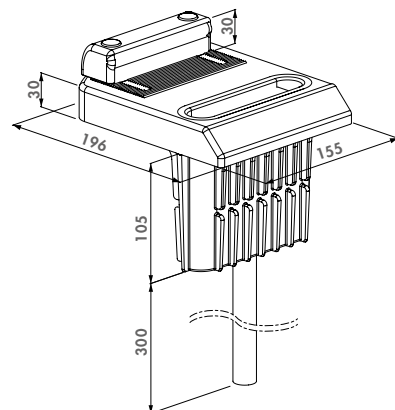
## Off-centered ground stop

OGS

Strong ground stop for double wings. The OGS has a removable recipient for easy and fast cleaning of the ground stop.

### Specifications

- ✔ Glass Fibre reinforced Polypropylene
- ✔ Suitable for surface mounted drop bolts (VSF - VSA - Electradrop - Keydrop)
- ✔ Adjustable stop plate for 40 mm till 60 mm gate frames
- ✔ Removable polyamide cleaning recipient
- ✔ With water evacuation hose



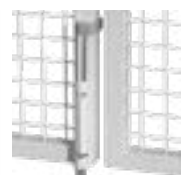
### Compatible drop bolts



**ELECTRADROP**  
P. 148



**KEYDROP**  
P. 151



**VSA / VSF**  
P. 150

### Order code

**OGS** Adjustable stop plate for 40 mm to 60 mm gate frames







## GATE CATCHERS

Gate catchers hold your gate open without inflicting any damage. They are adjustable in height to fit your gate and the used profiles. The gate catchers are made of aluminium or hot-dip galvanized steel.





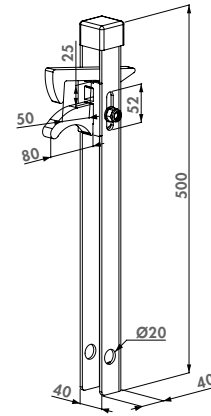
## Gate hold-back catch hot-dip galvanized

ABK

Hot-dip galvanized gate catcher to put into concrete. The catch hook is 52 mm adjustable in height. The ABK is developed to catch a horizontal profile. For gate profiles up to 50 mm.

### Specifications

- ✔ Hot-dip galvanized U-profile in steel
- ✔ Tumble element in aluminium
- ✔ Height adjustability: 52 mm



### Alternative gate catchers



UGC  
P. 159



IGC  
P. 159

### Order code

**ABK** For gate profiles with a max. width of 50 mm



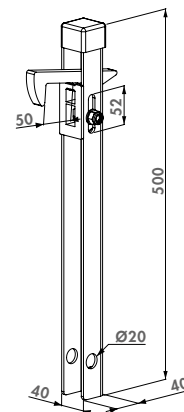
## Gate hold-back catch hot-dip galvanized

ABL

Hot-dip galvanized gate catcher to put into concrete. The catch hook is 52 mm adjustable in height. For gate profiles up to 50 mm.

### Specifications

- ✔ Hot-dip galvanized U-profile in steel
- ✔ Stainless steel bolt
- ✔ Tumble element in aluminium
- ✔ Height adjustability: 52 mm



### Alternative gate catchers



UGC  
P. 159



IGC  
P. 159

### Order code

**ABL** For gate profiles with a max. width of 50 mm



## Aluminium gate hold-back catch

UGC

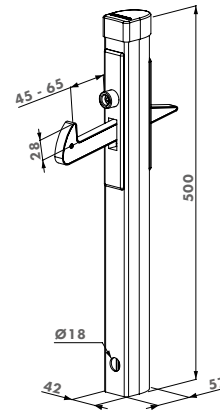
Aluminium gate catcher. The adjustable catch hook can easily be reversed. The stop rubber and polyamide catch hook avoid damaging the gate frame. Very fast and strong fixing in concrete. For gate profiles from 40 mm till 60 mm. Simple height adjustment of 40 mm.

### Color options

ZILV

### Specifications

- ✔ Aluminium powder coated chassis
- ✔ Anchoring holes for concrete
- ✔ Height adjustability of the catch hook: 40 mm
- ✔ Stop rubber and polyamide catch hook avoid damaging the gate frame
- ✔ Stop rubber adjustable for profiles 40 mm till 60 mm
- ✔ Reversibility of the catch hook: pre-mounted with hook up
- ✔ Catches underside of the gate



### Order code

UGC Under-gate Catcher for 40 mm till 60 mm



## Aluminium gate hold-back catch

IGC

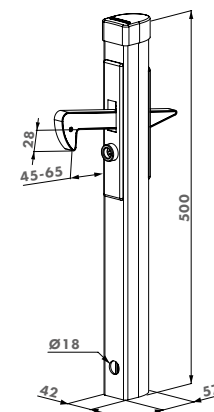
Aluminium gate catcher. The adjustable catch hook can easily be reversed. The stop rubber and polyamide catch hook avoid damaging the gate frame. Very fast and strong fixing in concrete. For gate profiles from 40 mm till 60 mm. Simple height adjustment of 40 mm.

### Color options

ZILV

### Specifications

- ✔ Aluminium powder coated chassis
- ✔ Anchoring holes for concrete
- ✔ Height adjustability of the catch hook: 40 mm
- ✔ Stop rubber and polyamide catch hook avoid damaging the gate frame
- ✔ Stop rubber adjustable for profiles 40 mm till 60 mm
- ✔ Reversibility of the catch hook: pre-mounted with hook down
- ✔ Catches upper side of the gate



### Order code

IGC In-gate catcher for 40 mm till 60 mm





# TOOLS

Locinox guarantees a quick, qualitative and perfect installation thanks to the in-house developed jigs.





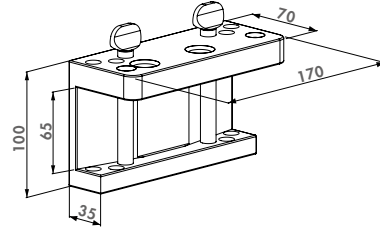
## Drilling jig

3970LA

Drilling jig to prepare the gate-/strike-post for swing gate locks and according keeps. The jig can be adjusted for profiles 40-50-60 mm. The jig guarantees a perfect center alignment of the Locinox lock/keep on your posts.

### Specifications

- ✔ Drilling jig for surface mounted swing gate locks and its keeps
- ✔ Adjustable for profiles from 40-50-60 mm



### Order code

3970LA

For swing gate locks



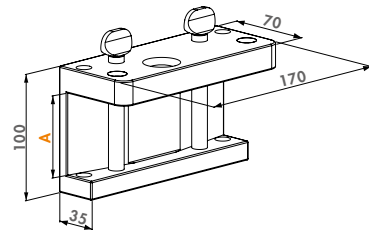
## Drilling jig

3970LS

Drilling jig to prepare the gate- and strike-post for sliding gate locks and according keep. The jig can be adjusted for profiles 40-50-60 mm or 60-80 mm according to the version. The jig guarantees a perfect center alignment of the Locinox lock/keep on your posts.

### Specifications

- ✔ Drilling jig for: LS, LL, LG locks and SSKZ QF keep
- ✔ Available in two versions: for profiles from 40-50-60 mm or 60-80 mm



### Order codes

3970LS-4060

For sliding gate locks 40-50-60 mm

3970LS-6080

For sliding gate locks 60-80 mm



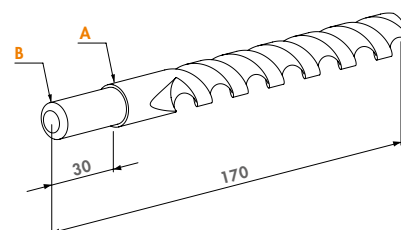
## Drilling bit Ø15 mm with drill-chuck Ø13 mm

DRILLØ15

HSS drill with Ø15 mm and drill-chuck Ø13 mm. Fits any drilling machine.

### Specifications

- ✔ Drilling bit Ø15 mm with drill-chuck Ø13 mm
- ✔ For preparation of your profiles
- ✔ For use with the drilling jig 3970LA



### Order code

DRILLØ15

A B  
Ø15 mm Ø13 mm

## Tool case with drilling jig for surface mounted lock and corresponding keep

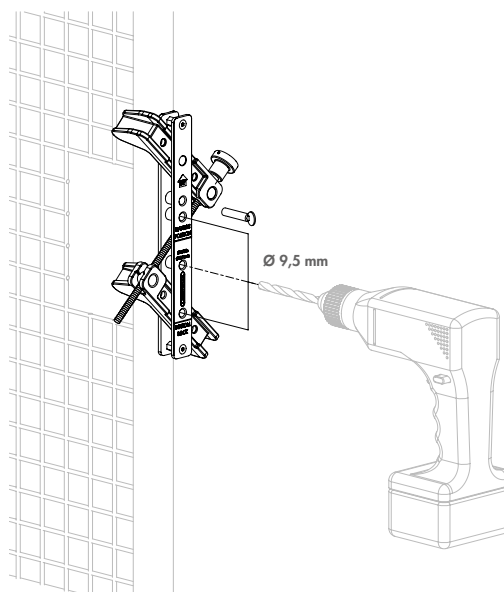
### DRILL-FIX

Quickly and accurately install Locinox surface mounted locks and keeps with our brand new Drill-Fix jig. This jig is designed to self-center on square or round posts, and guarantees perfect alignment. This will allow you to easily drill the 4 hole pattern for the lock or the two holes necessary for the keep. The Drill-Fix comes in a sleek and sturdy case that includes all the necessary accessories to install Locinox locks and keeps.



### Specifications

- ✔ Tool case with self-centering drilling tool for fast assembly of Locinox surface mounted gate locks and keeps
- ✔ Drill jig can be used for round, square or rectangular profiles from 30 up to 76 mm
- ✔ Includes 3 drill bits (Ø9,5 mm, Ø15 mm, Ø18 mm)
- ✔ Installation of Locinox surface mounted locks and keeps in 4 easy steps
- ✔ Includes Locitool LA
- ✔ Includes Allen Key and positioning pin



### Order code

**DRILL-FIX** Tool case with drilling jig for lock and keep

### 4 Easy installation steps



### Compatible locks



**LAKQ U2**  
P. 59



**LDKZ D1**  
P. 62



**LMKQ V2**  
P. 66



**LAKQ H2**  
P. 73

### Compatible keeps



**MODULEC-SA**  
P. 98



**SAKL QF**  
P. 99



**SHKL QF**  
P. 99



**SMKL QF**  
P. 100





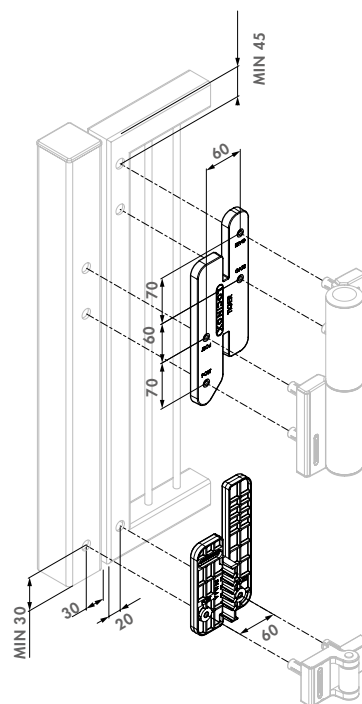
## Installation and drilling jig for Tiger gate closer

TIGERDRILL

Tool case with installation and drilling jig to perfectly align and install the Tiger gate closer and its Puma hinge. This tool guarantees perfect alignment and a fast and easy installation. No measuring needed, just fix the tool on the post, drill the holes, install the Tiger and Puma, and close the gate.

### Specifications

- ✓ 2 supplied drills Ø5 / Ø15 mm
- ✓ Spare set with 10 Quick-Fix expanders
- ✓ Solid plastic box with compartments for convenient storage
- ✓ Including accessories for mounting and adjustment of Tiger
- ✓ Recommended to be combined with Drillvise-IV



### Order code

**TIGERDRILL** Installation and drilling jig for Tiger gate closer



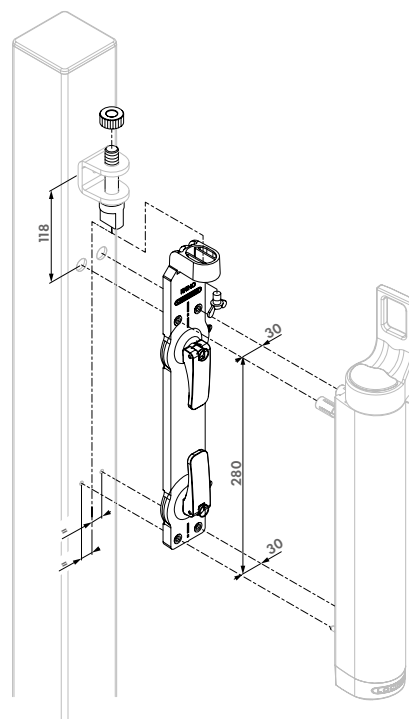
## Assembly and drill jig for Rhino gate closer

RHINODRILL

Toolbox with installation kit to drill holes when mounting Rhino gate closer on Locinox hinges. Rhino uses the hinge to close the gate. This tool guarantees a perfect alignment of the Rhino gate closer to the existing hinge. No more measuring: fix, drill, install and ready.

### Specifications

- ✓ 2 supplied drills Ø5 / Ø15 mm
- ✓ Spare set with 10 Quick-Fix expanders
- ✓ Solid plastic box with compartments for convenient storage
- ✓ Positions Rhino perfectly with regards to the Locinox hinge
- ✓ Including accessories for assembly and adjustment of Rhino



### Order code

**RHINODRILL** Assembly and drill calibre for Rhino gate closer

## Assembly and drill jig for Lion and Verticlose-2 gate closers

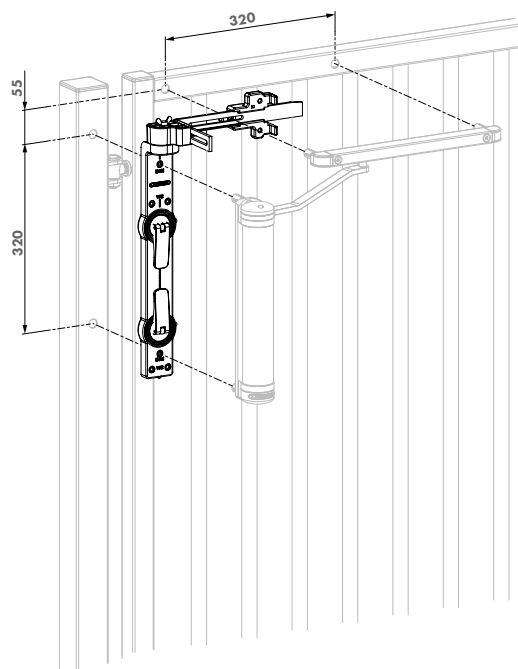
LION-VTC-DRILL

Toolbox with the required tools to install both Lion and Verticlose-2 gate closers very quickly and efficiently. The Lion-VTC Drill guarantees a flawless alignment of the gate closer in relation to the gate. No more measuring - just fix, drill, install and ready. Highly recommended.



### Specifications

- ✓ Sturdy box with compartments
- ✓ Spare set with 10 Quick-Fix expanders
- ✓ 2 supplied drills  $\varnothing 5$  /  $\varnothing 15$  mm



### Order code

LION-VTC-DRILL Installation and drilling jig for Lion & VTC-2 gate closers

### Related products



TIGERDRILL  
P. 164



RHINODRILL  
P. 164



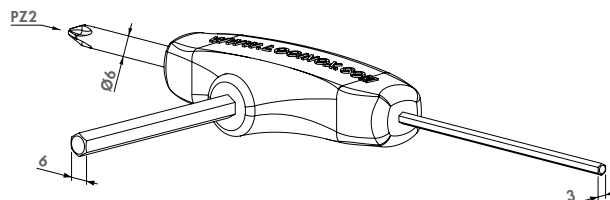
## Handy mounting tool for locks

LOCITOOL LA

Mounting tool for surface mounted gate locks. The Locitool has a 3 mm Allen key for the adjustment of the bolts and fixing of the handles. With the 6 mm Allen key you can fix all Locinox locks. The screwdriver can be used to change the cylinder, open the lock box or change the daybolt from right to left-turning.

### Specifications

- ✔ Easy and robust installation tool for a complete installation and adjustment of any Locinox lock
- ✔ Screwdriver to change the self-latching bolt, cylinder and lockbox



### Order code

LOCITOOL LA

Mounting tool for locks



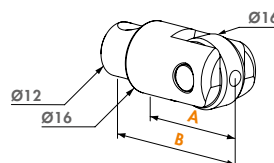
## Adjustable rollerbolt

ROLLTOP

Stainless steel rollerbolt for swing gate locks. The standard chamfered self-latching top can be replaced with the rollerbolt. This ensures a smooth closing of the lock into the keep. The rollerbolt has a bolt adjustment-hole for finetuning your Locinox lock.

### Specifications

- ✔ Adjustable rollerbolt in stainless steel
- ✔ Facilitates closing the gate
- ✔ Compatible with all surface mounted Locinox gate locks



### Order codes

	A	B
ROLLTOP-30	18	28
ROLLTOP-40	26	36
ROLLTOP-60	46	56



# Quick-Fix

The unique Quick-Fix fastening system guarantees an extremely secure fixing on all your gates and fences. As a unique patented solution, Quick-Fix ensures an assembly which is twice as quickly.

## QUICK ASSEMBLY

Quick-Fix is pre-assembled on the product. You win valuable time on site, which allows you to be quicker with your next customer. You only need to drill the required 15 mm holes, place the product on the holes, fix and ready!

## FIRM ANCHORING

With its 1,000 kg tensile strength a firm anchoring is always guaranteed. Quick-Fix is available for profiles with a wall thickness from 1 up to 5 mm or from 4 up to 8 mm.

## CORROSION FREE

Locinox relies upon the best materials. This also applies to Quick-Fix which is 100% made of premium stainless steel. Quick-Fix easily passes the 500h salt spray test. Want to know more? Watch the video on our website.



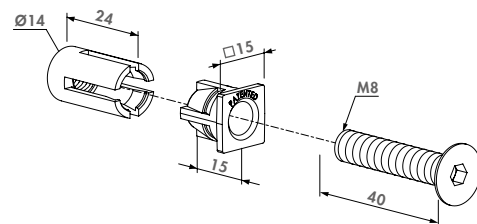
## Stainless steel fixation bolt with high pulling resistance

QUICK-FIX (Patented)

Quick-Fix guarantees an easy, fast and highly robust mounting. The new generation of the Quick-Fix can be reused completely many times thanks to its innovative design.

### Specifications

- ✔ Patented mounting system out of stainless steel
- ✔ Very strong: 1.000 kg pulling resistance
- ✔ Innovative design which guarantees reuse of the Quick-Fix
- ✔ For profiles with thickness till 5 mm



### Order code

QUICK-FIX

Patented mounting system



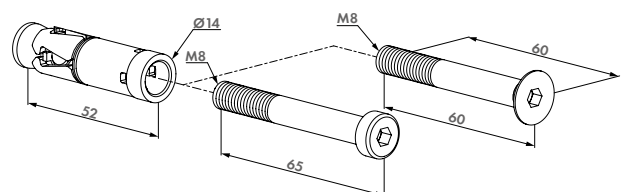
## Wall fixation set for keeps

WALL-FIX

The Wall-Fix ensures a firm anchoring of most Locinox keeps in (brick) walls. The components of this fixation set are made out of steel.

### Specifications

- ✔ For a solid anchoring of keeps in walls
- ✔ Can be used for SAKL, SHKL, SMKL, SFKB, SFKP and all Modulec - keeps
- ✔ Consists out of 2 expansion anchors with matching bolts



### Order code

WALL-FIX

Wall fixation set for keeps

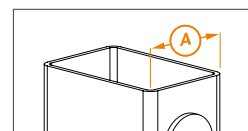


# ACCESSORIES

Modularity, compatibility and flexibility within our product range give you an endless amount of solutions. Build your own product to fit your production processes and product range. Locinox makes sure your orders are handled quickly and correctly.



# i Handle compatibility



	SURFACE MOUNTED LOCKS		INSERT LOCKS			
			A = 30mm	A = 40mm	A = 50mm	A = 60mm
3006C		✓	✓			
3006I		✓	✓	✓		
3006D		✓	✓			
3006B		✓	✓			
3006A		✓	✓			
3006M		✓	✓			
3006J		✓	✓	✓		
3006R		✓				
300FA		✓	✓			
3006P		✓	✓	✓		
3006G		✓	✓	✓		
3006B-H				✓	✓	✓
3006D-H				✓	✓	✓
3006I-H					✓	✓
3006M-H				✓	✓	✓
3006J-H		✓	✓	✓	✓	✓
3006R-2		✓	✓			
KIDLOC-2		✓				
KIDLOC		✓	✓	✓		
3006KR		✓				
PUSHBAR		✓		✓	✓	
3006PUSH		✓				
3006T11		✓				
3006FIX				✓	✓	✓
3006-PAD				✓	✓	✓
3006-HOLD				✓	✓	✓

Handles



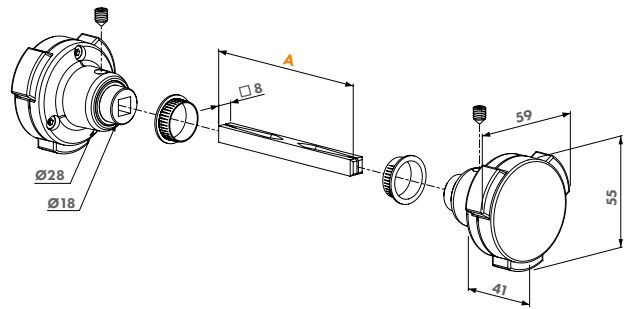
## Childproof security knob

KIDLOC (Patented)

Anodized aluminium and polyamide security knob providing child safety. At least one button must be pressed while turning the knob. Conform to the French standard for child safety at swimming pools NF P90-306.

### Specifications

- ✔ Anodized aluminium and polyamide
- ✔ For all locks with a 8 mm follower
- ✔ Security knob for swimming pools, playgrounds, kennels,...
- ✔ Conform with the swimming pool safety standard NF P90-306



### Order code

Security knob

**KIDLOC**

**A**

Follower length 90 mm



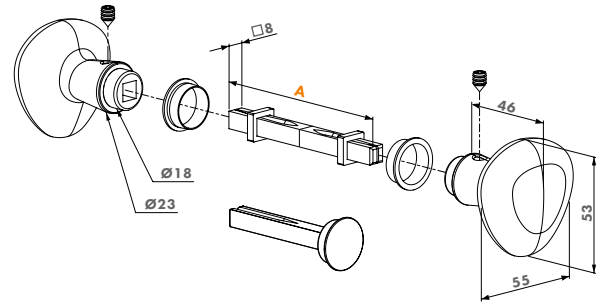
## Aluminium handle blocking set

3006KR

Aluminium round knob set. The kit allows following combinations: one side fixed with one side operational, both sides fixed or one side blinded. The set is advised in combination with all aluminium lock boxes when access control is needed and highly recommended with electric strikes.

### Specifications

- ✔ The kit permits the following combinations:
- ✔ 1 side fixed - 1 side movable or 1 side blinded
- ✔ 2 sides fixed
- ✔ 2 sides movable
- ✔ Highly recommended with Locinox electric keeps



### Order code

Aluminium handle blocking set

**3006KR**

**A**

Follower length 90 mm



## Aluminium anodized handle pair with fixed and/or rotating operation

3006FIX-

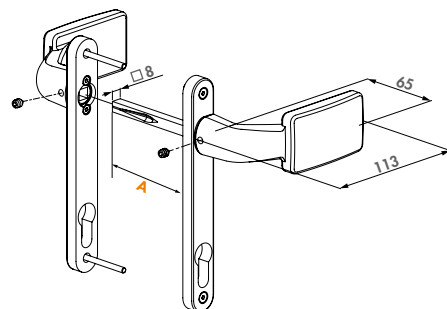
Anodized aluminium handle pair and cover shield allowing following combinations: both sides rotating, one side fixed or both sides fixed. The handle pair is compatible with the Fortylock, Fiftylock, Sixtylock and Eightylock insert locks.

### Color options

ALUM 9005

### Specifications

- ✔ Square 8 mm follower
- ✔ Center-distance cylinder <=> handles = 92 mm
- ✔ Including fixation bolts for profiles from 37 mm to 65 mm



### Order code

**3006FIX**

**A**

Follower length 120 mm



**NEW** Handle set with rounded corners in anodised aluminium with fixed and/or rotating functionality

3006PAD

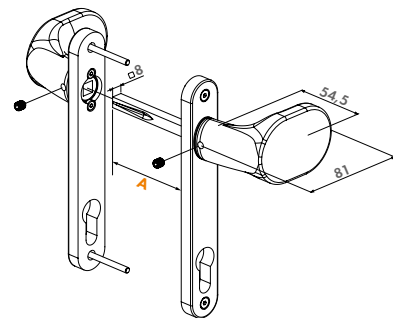
Handle set with rounded corners in anodized aluminium. Following combinations are possible: both sides rotatable, one side rotatable and one side fixed or both sides fixed.

**Color options**

ALUM 9005

**Specifications**

- ✓ Square 8 mm follower
- ✓ Centre distance: cylinder  $\leftrightarrow$  handle hole = 92 mm
- ✓ Includes mounting bolts for profiles from 37 mm to 65 mm
- ✓ Anodized aluminium
- ✓ Compatible with Fortylock, Fiftylock, Sixtylock & Eightylock



**Order codes**

3006PAD

**A**  
Follower length 120 mm



**NEW** Handle set with rounded corners in anodized aluminium with fixed and rotating action

3006HOLD

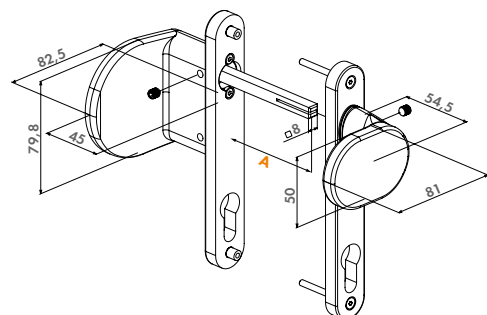
Handle set with rounded corners in anodized aluminium in two possible combinations: One side rotatable and one side fixed or both sides fixed.

**Color options**

ALUM 9005

**Specifications**

- ✓ Square 8 mm follower
- ✓ Centre distance: cylinder  $\leftrightarrow$  handle hole = 92 mm
- ✓ Includes mounting bolts for profiles from 37 mm to 65 mm
- ✓ Anodized aluminium
- ✓ Compatible with Fortylock, Fiftylock, Sixtylock & Eightylock



**Order codes**

3006HOLD-PAD

**A**  
Follower length 120 mm



## NEW Fixed anodized aluminium handle

BAR-A

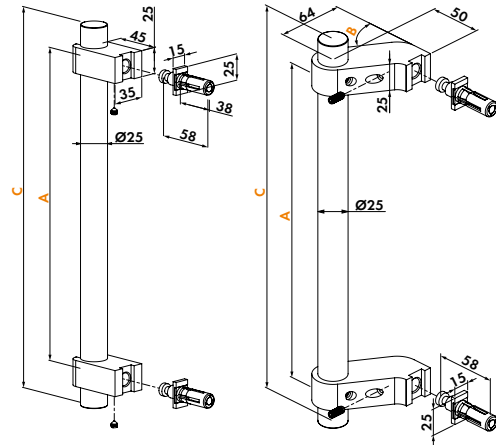
Fixed anodized aluminium handle with straight or angled mounting brackets. Can be used single or double sided.

### Color options

9005

### Specifications

- ✓ Length: 365 mm
- ✓ Fixation Center Distance: 300 mm
- ✓ Compatible with 3025-HYB-BLIND
- ✓ Anodized aluminium



### Order codes

	A	B	C
BAR-A-300-00-365-1	300 mm	0°	365 mm
BAR-A-300-00-365-2	300 mm	0°	365 mm
BAR-A-300-60-365-1	300 mm	60°	365 mm
BAR-A-300-60-365-2	300 mm	60°	365 mm



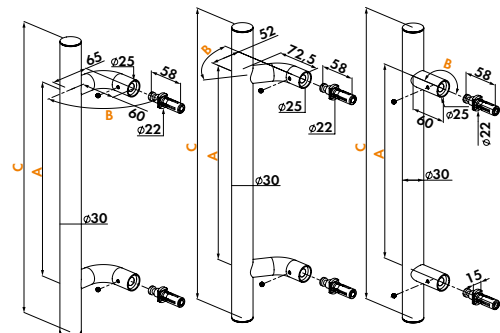
## NEW Fixed stainless steel handle

BAR-I

Fixed stainless steel handle with straight or angled mounting brackets. Can be used single or double sided.

### Specifications

- ✓ Length: 450 mm
- ✓ Compatible with 3025-HYB-BLIND
- ✓ Type 316 Stainless Steel



### Order codes

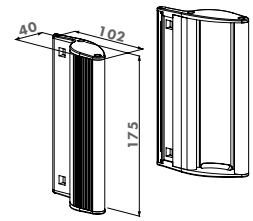
	A	B	C
BAR-I-300-00-450-1	300 mm	0°	450 mm
BAR-I-300-00-450-2	300 mm	0°	450 mm
BAR-I-300-60-450-1	300 mm	60°	450 mm
BAR-I-300-60-450-2	300 mm	60°	450 mm
BAR-I-300-90-450-1	300 mm	90°	450 mm
BAR-I-300-90-450-2	300 mm	90°	450 mm



## Handle set 3006PULL

3006PULL

Aluminium powder coated handle set with elegant design. This handle set can be used in combination with our MAGMAG locks (e.g. if used top/bottom).



### Color options

ZILV 9005

### Specifications

- ✔ Matching design with our magnetic locks

### Order code

Aluminium powder coated handle set

3006PULL

Fixation bolts not included

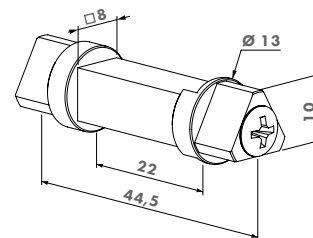


## Triangular spindle

3006T11

### Specifications

- ✔ Spindle in a triangular form of 11 mm to be used with triangle key
- ✔ Possible to insert in the handle opening of any LA lock



### Order codes

3006T11

11 mm triangular spindle



## Push handle set in aluminium

3006PUSH

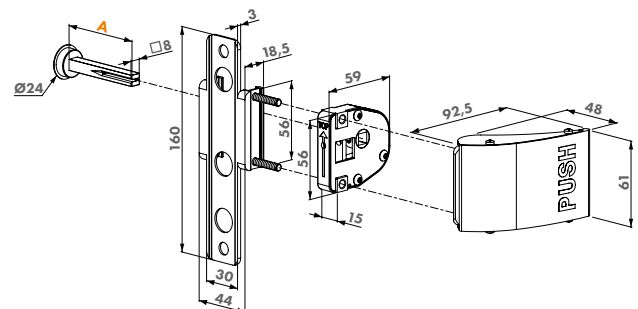
Push handle set for easy opening of the gate by a simple push. The 3006PUSH replaces the standard handle, can be quickly installed on new or existing locks and operates the daybolt. One side blinded.

### Color options

ZILV

### Specifications

- ✔ The set is adaptable on all surface mounted Locinox locks with aluminium U-lock box
- ✔ The 3006PUSH replaces the handles
- ✔ Facilitates opening the gate



### Order code

Push-set in aluminium

3006PUSH

A  
Follower length 60,5 mm



## Push bar in aluminium for surface mounted gate locks

PUSHBAR-L-

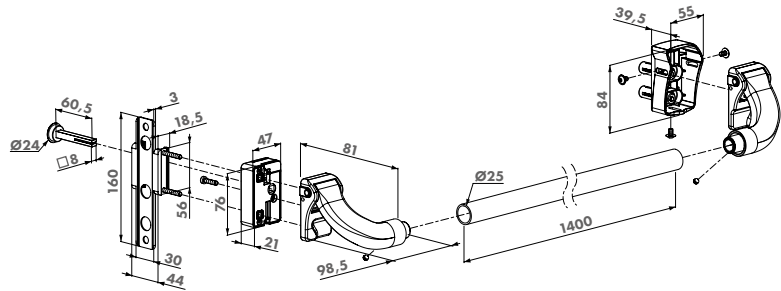
Push bar for an easy opening and a free exit of a gate by a simple push. The aluminium PUSHBAR replaces the standard handle, operates the daybolt and can quickly be installed on new or existing Locinox surface mounted gate locks (LA, LP and LF chassis). The PUSHBAR is available in a long version (1400 mm). The push bar can however be perfectly shortened to fit any gate.

### Color options

9005

### Specifications

- ✔ Black powder coated aluminium push bar with stainless steel mechanism
- ✔ For left and right turning gates
- ✔ Easy to install on the gate with Quick-Fix
- ✔ Blinded 8 mm follower included
- ✔ Possible to combine with half handle sets with 8 mm follower



### Compatible locks



LAKQ U2  
P. 59

LPKQ U2  
P. 63

LFKQ X1  
P. 67

### Order code

**PUSHBAR-L-1400** Aluminium push bar for surface mounted locks - Length 1400 mm



## Aluminium push bar for insert locks

PUSHBAR-H-

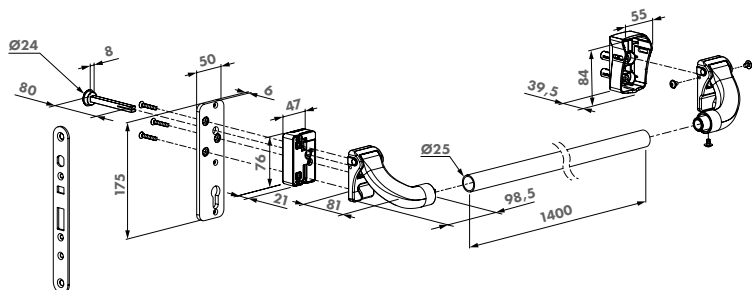
Push bar for an easy opening and a free exit of a gate by a simple push. The aluminium PUSHBAR replaces the standard handle, operates the daybolt and can quickly be installed on new or existing Locinox hybrid insert locks. The PUSHBAR is available in a long version (1400 mm). The push bar can however be perfectly shortened to fit any gate.

### Color options

9005

### Specifications

- ✔ Black powder coated aluminium push bar with stainless steel mechanism
- ✔ Only compatible with H-Metal, H-Wood and Sixtylock
- ✔ Easy & fast mounting: Quick-Fix
- ✔ For left and right turning gates
- ✔ Blinded 8 mm follower included
- ✔ Possible to combine with half handle sets with 8 mm follower



### Compatible locks



H-METAL  
P. 86

H-WOOD  
P. 93

SIXTYLOCK  
P. 84

### Order code

**PUSHBAR-H-1400** Aluminium push bar for insert locks - Length 1400mm

COMING SOON



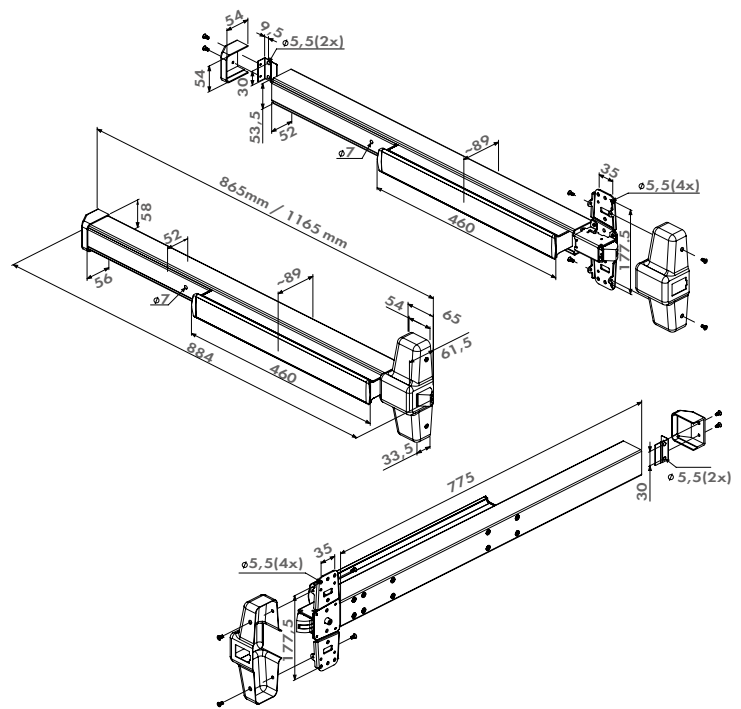
## Panicbar set

PANICBAR

Complete set to add a rim style emergency exit device to any gate. The set includes a stainless steel Panicbar, a keep or electric strike and a key box or a keyed lever handle. Available mounting plates and latch protector plates to be ordered separately.

### Specifications

- ✔ Stainless steel weatherproof body
- ✔ Available in 2 sizes: 914 mm and 1219 mm
- ✔ 19 mm latch bolt
- ✔ For round and square profiles
- ✔ Tested up to 500.000 openings
- ✔ EN1125



### Order code

PANICBAR- Panicbar set







## Half anodized aluminium anti-panic handle

3006A-2

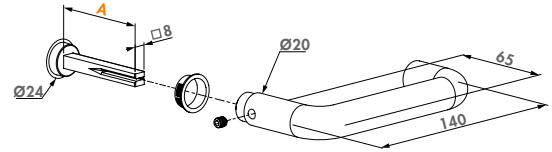
Half handle for LPKQ U2 anti-panic gate lock that guarantees a safe and quick exit.

### Specifications

- ✓ Square 8 mm follower
- ✓ Handle made of anodized aluminium
- ✓ EN 179 certified for use with the LPKQ U2 anti-panic gate lock

### Order code

3006A-2



A

Follower length 60 mm



## Half aluminium handle

3006M-2

Half aluminium handle - one side blinded.

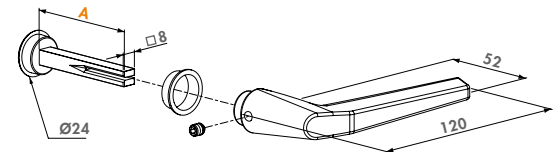
### Specifications

- ✓ Half handle made of aluminium
- ✓ Square 8 mm follower

### Order code

Aluminium half handle

3006M-2



A

Follower length 60 mm



## Half aluminium round handle

3006R-2

Half aluminium round handle. One side blinded.

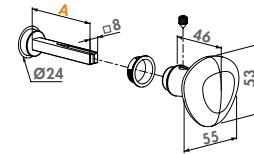
### Specifications

- ✓ Round knob in aluminium
- ✓ Square 8 mm follower

### Order code

Aluminium round knob

3006R-2



A

Follower length 60 mm



## Childproof security knob half handle

KIDLOC-2

Anodized aluminium and polyamide security knob providing child safety. At least one button must be pressed while turning the knob. Conform to the French standard for child safety at swimming pools NF P90-306.

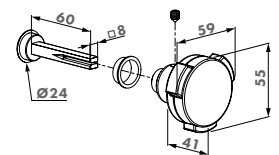
### Specifications

- ✓ Polyamide and aluminium

### Order code

Security knob

KIDLOC-2



A

Follower length 60 mm



## Handle pair in zamac

3006FA

Zamac ornamental handle pair.

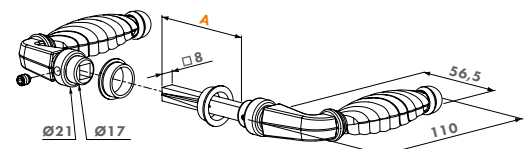
### Specifications

- ✓ Handle pair in powder coated zamac
- ✓ Square 8 mm follower

### Order code

Zamac handle pair

3006FA



A

Follower length 65 mm



## Handle pair made of anodized aluminium

3006C

Aluminium club handle pair.

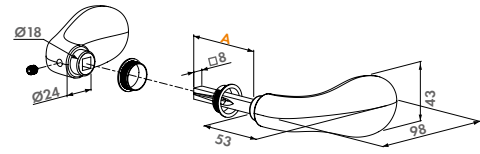
### Specifications

- ✓ Handle pair made of anodized aluminium
- ✓ Square 8 mm follower

### Order code

Aluminium handle pair

3006C



A

Follower length 60 mm



## Anodized aluminium handle pair

3006J

Aluminium handle pair

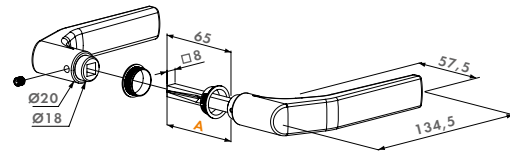
### Specifications

- ✓ Special design avoids bumping of the hand against the stop plate
- ✓ Square 8 mm follower

### Order code

Aluminium handle pair

3006J



A

Follower length 65 mm



## Handle pair made of anodized aluminium

3006M

Aluminium handle pair.

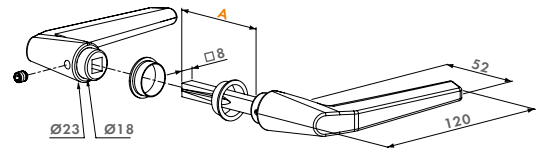
### Specifications

- ✓ Handle pair made of anodized aluminium
- ✓ Square 8 mm follower

### Order code

Aluminium handle pair

3006M



A

Follower length 60 mm



## Black anodized aluminium handle pair

3006B

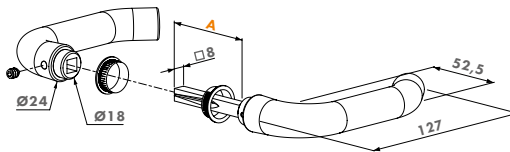
Black anodized aluminium handle pair

### Specifications

- ✓ Square 8 mm follower

### Order code

3006B



A

Follower length 66,5 mm



## Reinforced aluminium handle pair

3006S

Handle pair, ideally combined with sliding gate locks.

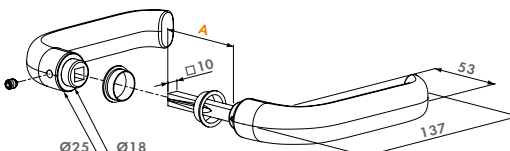
### Specifications

- ✓ Only applicable on LSKZ sliding gate lock
- ✓ Square 10 mm follower

### Order code

Reinforced aluminium handle pair

3006S



A

Follower length 60 mm



## Aluminium handle pair

3006D

Aluminium handle pair.

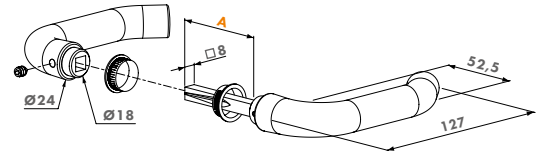
### Specifications

- ✓ Handle pair made of anodized aluminium
- ✓ Square 8 mm follower

### Order code

Aluminium handle pair

**3006D**



**A**

Follower length 60 mm



## Aluminium round knobs

3006R

Aluminium round handle pair.

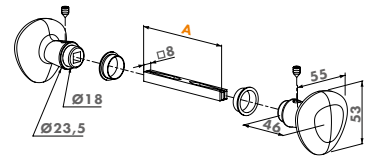
### Specifications

- ✓ Round knobs in aluminium
- ✓ Square 8 mm follower

### Order code

Aluminium handle pair

**3006R**



**A**

Follower length 90 mm



## Handle pair in stainless steel

3006I

Stainless steel handle pair.

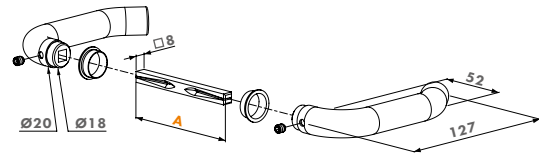
### Specifications

- ✓ Handle pair made of stainless steel
- ✓ Square 8 mm follower

### Order code

Stainless steel handle pair

**3006I**



**A**

Follower length 90 mm



## Handle pair in polyamide

3006G

Handle pair in polyamide.

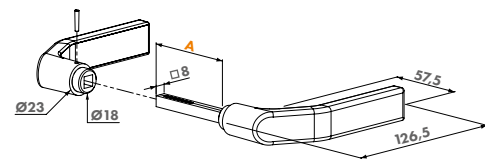
### Specifications

- ✓ Special design avoids bumping of the hand against the stop plate

### Order code

Polyamide handle pair

**3006G**



**A**

Follower length 66,5 mm



## Handle pair in polyamide

3006P

Polyamide handle pair.

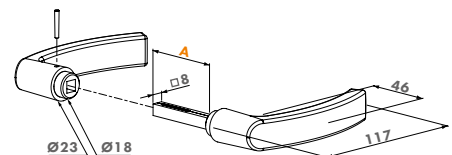
### Specifications

- ✓ Square 8 mm follower
- ✓ Applicable with garden gate locks

### Order code

Polyamide handle pair

**3006P**



**A**

Follower length 54 mm



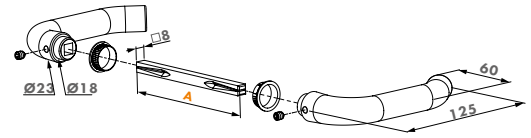
## Black anodized aluminium handle pair for insert locks

3006B-H

Black anodized aluminium handle pair with 120 mm long spindle for insert locks

### Specifications

- ✔ Square 8 mm follower



### Order code

3006B-H

A

Follower length 120 mm



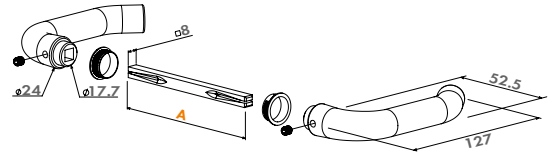
## **NEW** Anodized aluminium handle pair for insert locks

3006D-H

Handle set in anodized aluminium with 120 mm crank pin for use with insert locks

### Specifications

- ✔ Square 8 mm follower



### Order code

3006D-H

A

Follower length 120 mm



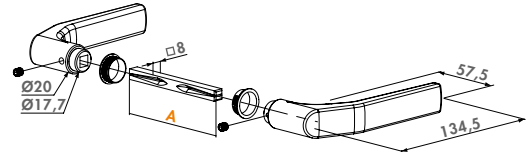
## Handle pair in aluminium for insert locks

3006J-H

Handle pair in aluminium with square 120 mm spindle for insert locks.

### Specifications

- ✔ Special design avoids bumping of the hand against the stop plate
- ✔ Square 8 mm follower



### Order code

3006J-H

A

Follower length 120 mm



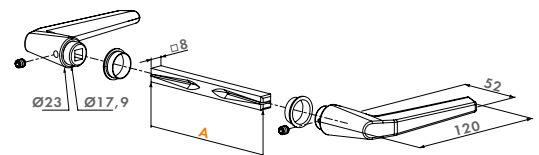
## Handle pair in aluminium for insert locks

3006M-H

Aluminium handle pair with 120 mm long spindle for use with insert locks

### Specifications

- ✔ Handle pair made of anodized aluminium
- ✔ Square 8 mm follower



### Order code

3006M-H

A

Follower length 120 mm



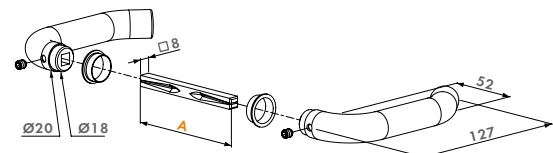
## Handle pair in stainless steel for insert locks

3006I-H

Handle pair in stainless steel with square 120 mm spindle for insert locks.

### Specifications

- ✔ Handle pair made of stainless steel
- ✔ Square 8 mm follower



### Order code

3006I-H

A

Follower length 120 mm



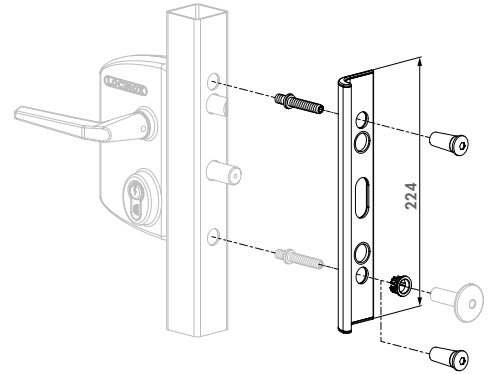
## Anti-theft protection plate for Locinox keeps

SHIELD-

Vandal-proof protection plate in aluminium. This plate protects the day bolt and the nightbolt. Compatible with Locinox keeps (type SA, SH and Modulec).

### Specifications

- ✔ Vandal-proof protection plate
- ✔ Aluminium powder coated
- ✔ Provided with plastic sliding sleeves for a perfect pin guidance. Very convenient in combination with gate closers
- ✔ Shield can easily be mounted on the surface mounted lock and is available for 40-60 mm gate frames



### Compatible keeps



MODULEC-SA  
P. 98



MODULEC-SH  
P. 98



SAKL QF  
P. 99

### Order code

**SHIELD-** Anti-theft protection plate for standard SA/SH and Modulec-SA/SH keeps



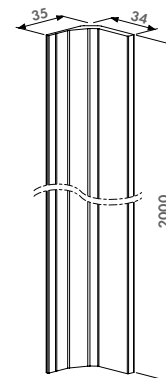
## NEW Aesthetic closure of the opening between gate wings

SHIELDLINE-

2-meter profile of extruded aluminium that fills the space between the two gate wings for increased privacy. Works in conjunction with the SFKU and can also be applied to the hinge sides.

### Specifications

- ✔ Extruded aluminium
- ✔ 2 metres long
- ✔ Compatible with SFKU: connection parts delivered in SFKU packaging
- ✔ Available in ALUM, RAL7016 and RAL9005



### Compatible keep



SFKU  
P. 108

### Order code

**SHIELDLINE-SFKU-40-** Aesthetic closure of the opening between gate wings

## Adaptor plate for Modulec strike

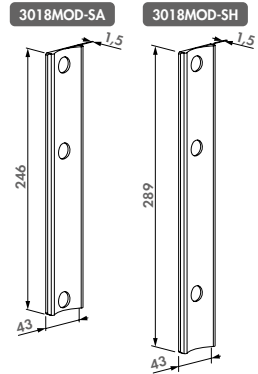
3018MOD-

Adaptor plate for square to round posts for Modulec electric strike. The plate is mounted between strike and post. A perfect connection on a Ø60 mm profile is ensured.



### Specifications

- ✔ Aluminium adaptor plate for Modulec on Ø60 mm profiles
- ✔ Black anodized
- ✔ Separate versions for SA and SH available
- ✔ Is easily installed between strike and post



### Compatible keeps



MODULEC-SA  
P. 98

MODULEC-SH  
P. 98

### Order codes

**3018MOD-SA** Adaptor plate for square to round posts for Modulec-SA electric strike

**3018MOD-SH** Adaptor plate for square to round posts for Modulec-SH electric strike

## Guide plate for a smooth guidance of the bolts of the surface mounted lock

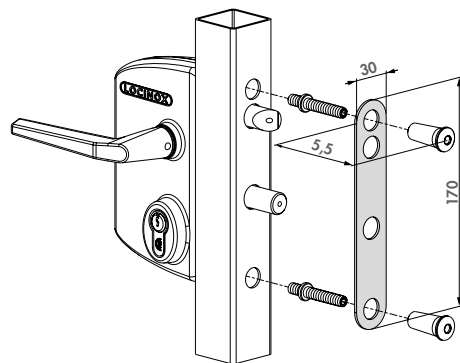
LOCK.GUIDE-

Stainless steel guide plate for a smooth guidance of the bolts of any surface mounted Locinox lock. Easy installation guaranteed.



### Specifications

- ✔ 2 mm thick stainless steel guidance plate
- ✔ Combinable with all surface mounted gate locks
- ✔ Available for 40 mm up to 100 mm gate frames



### Compatible locks



LAKQ U2  
P. 59

LPKQ U2  
P. 63

### Order codes

**LOCK.GUIDE-4060** Guide plate for 40 till 60 mm gate frames

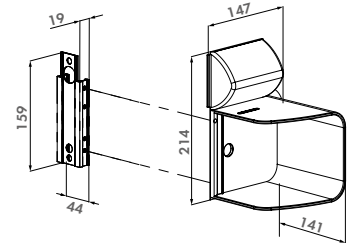
**LOCK.GUIDE-80100** Guide plate for 80 till 100 mm gate frames

# i A buyer's guide to the shroud



## NEW Security shroud for free exit code lock SHROUD-LO- (Patented)

This polyamide shroud restricts access to the handle from outside the gate. Compatible with the free exit handle of our mechanical (Free Vinci) and electronic (Valentino) code lock.



### Specifications

- ✓ Shroud made out of polyamide with black matte finish
- ✓ Compatible with electronic (Valentino) code lock
- ✓ Compatible with 3006C-2, 3006R-2 and PUSH door handles only
- ✓ Easy installation and security guaranteed
- ✓ Available with (-P) or without (-Z) untreated aluminium shield plate
- ✓ For 40, 50 and 60 mm gate profiles

### Compatible locks



LOKQ Y2  
P. 65

### Order codes

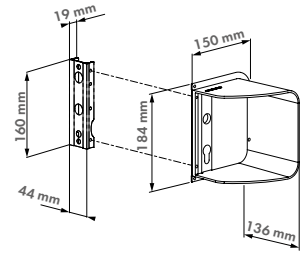
- SHROUD-LO-P** Security shroud for free exit code lock, with untreated aluminium shield plate
- SHROUD-LO-Z** Security shroud for free exit code lock, without untreated aluminium shield plate



## Security shroud for surface mounted locks with free exit configuration

SHROUD-LA-

This polyamide shroud restricts access to the handle from outside the gate.



### Specifications

- ✔ Compatible with free exit type configs of single Europrofile cylinder locks (LP, LA, ...)
- ✔ Compatible with 3006R-2, KIDLOC-2, 3006KR and 3006PUSH door handles only
- ✔ Easy installation and security guaranteed
- ✔ Available with (-P) or without (-Z) untreated aluminium shield plate
- ✔ For 40, 50 and 60 mm gate profiles

### Order codes

<b>SHROUD-LA-P</b>	Security shroud for surface mounted locks with free exit configuration, with untreated aluminium shield plate
<b>SHROUD-LA-Z</b>	Security shroud for surface mounted locks with free exit configuration, without untreated aluminium shield plate

### Compatible handles



**3006R-2**  
P. 178

**3006KR**  
P. 171

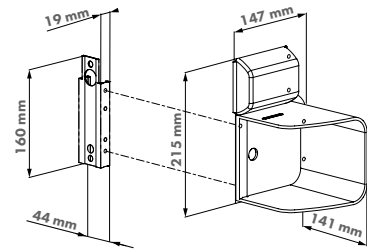
**3006PUSH**  
P. 174



## Security shroud for free exit mechanical code lock

SHROUD-LF-

This polyamide shroud restricts access to the handle from outside the gate.



### Specifications

- ✔ Shroud made out of polyamide with black matte finish
- ✔ Compatible with Free Vinci mechanical code lock
- ✔ Compatible with 3006C-2, 3006R-2 and PUSH door handles only
- ✔ Easy installation and security guaranteed
- ✔ Available with (-P) or without (-Z) untreated aluminium shield plate
- ✔ For 40, 50 and 60 mm gate profiles

### Order codes

<b>SHROUD-LF-P</b>	Security shroud for free exit mechanical code lock, with untreated aluminium shield plate
<b>SHROUD-LF-Z</b>	Security shroud for free exit mechanical code lock, without untreated aluminium shield plate

### Compatible handles



**3006R-2**  
P. 178

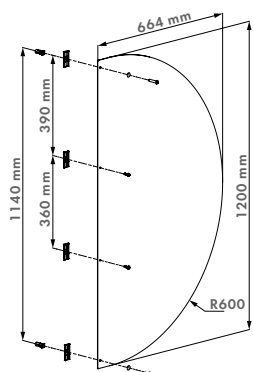
**3006PUSH**  
P. 174



## Protection plate to avoid access to the handle from the outside

SHROUD-SA-

Semi-round aluminum protection plate restricting access from the outside of the gate, on the keep side, to the handles.



### Specifications

- ✔ Uncoated aluminum shield plate
- ✔ Installed on the keep side of the gate
- ✔ Perfect shielding on gate and post side when installed together with SHROUD-LA-P / LF-P
- ✔ Easy installation and security guaranteed
- ✔ For 40, 50 and 60 mm gate profiles

### Order code

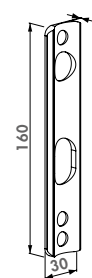
<b>SHROUD-SA-</b>	Protection plate to avoid access to the handle from the outside
-------------------	---



## Adaptor plate for LA, LM and LS locks

3019LA

The adaptor plate is mounted between the lock and gate frame.



### Specifications

- ✓ Aluminium adaptor plate for LA & LS locks
- ✓ Adaptor plate => Ø34 mm

### Compatible locks



LAKQ U2  
P. 59

LMKQ V2  
P. 66

LAKZ P1  
P. 74

LSKZ U2  
P. 80

### Order code

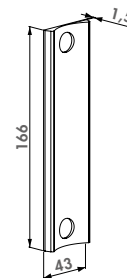
**3019LA** Adaptor plate for round posts Ø34 mm



## Adaptor plate for SA keeps

3018LA

The adaptor plate is mounted between the keep and post.



### Specifications

- ✓ Polyamide adaptor plate for SA keep
- ✓ Adaptor plate => Ø60 mm

### Compatible keep



SAKL QF  
P. 99

### Order code

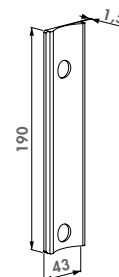
**3018LA** Adaptor plate for round posts Ø60 mm



## Adaptor plate for SH keeps

6403

The adaptor plate is mounted between the keep and post.



### Specifications

- ✓ Aluminium adaptor plate for SH keeps
- ✓ Adaptor plate => Ø60 mm

### Compatible keep



SHKL QF  
P. 99

### Order code

**6403** Adaptor plate for round posts Ø60 mm



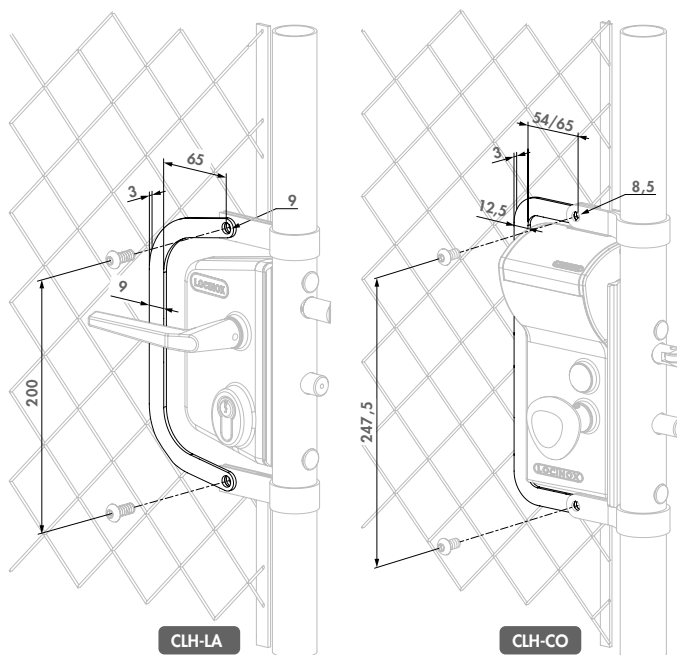
## Chain link tension bar adapter

CLH-

This tension bar adaptor fits around our industrial, electrical, garden and sliding gate locks to give an aesthetic, finished look to chain link gates. There is a separate chain link tension bar adapter available for the mechanical code locks.

### Specifications

- ✔ Hot-dip galvanized steel
- ✔ Install with 2 tension bands (not included)
- ✔ Ties in with the tension bar for a finished look



### Order codes

CLH-LA

Chain link tension bar adaptor for standard gate locks

CLH-CO

Chain link tension bar adaptor for mechanical code locks



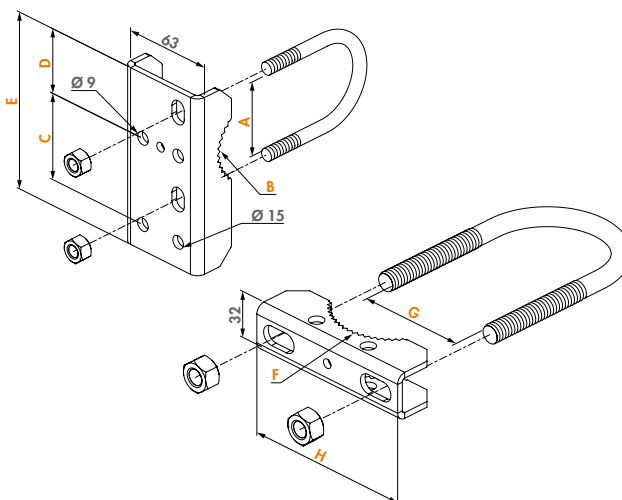
## Galvanized bracket to mount Samson-2 to chain link fence (USA only)

SB-

The chain link mounting bracket allows the Samson gate closer to easily adapt to gates with round profiles and round hinge posts. Brackets are made of galvanized steel with U-bolts and stainless SD&T screws to lock the brackets into position. Available to fit 3" or 4" round posts and 1-5/8" or 1-7/8" gate frames.

### Specifications

- ✔ Compatible with Samson-2
- ✔ Galvanized steel mounting brackets for round frames



### Order codes

SB-3015

A	B	C	D	E	F	G	H
41,2	41,2	56	40	114	76,2	76,2	120
47,6	47,6	60	45	123	76,2	76,2	120
41,2	41,2	56	40	114	100	100	150
47,6	47,6	60	45	123	100	100	150

SB-3020

SB-4015

SB-4020



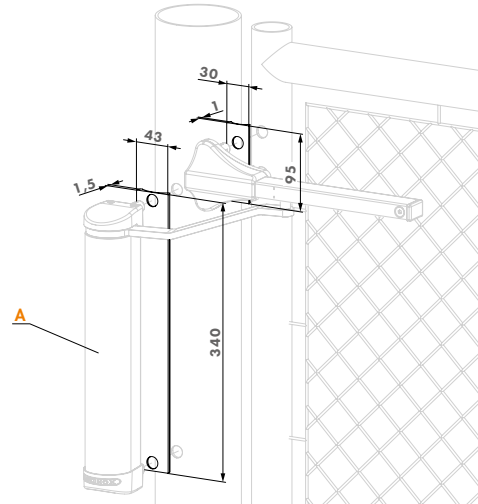
## Adaptor plate for Lion gate closer

3018LION

Black anodized aluminium adaptor plate for square to round posts for Lion gate closer. The plate is mounted between gate closer and post. A perfect connection on a  $\varnothing 60$  mm post is ensured.

### Specifications

- ✓ Aluminium adaptor plate for Lion on  $\varnothing 60$  mm round profiles for the fixed post
- ✓ Black anodized
- ✓ For Lion 180° version, gate frames are as of  $\varnothing 34$  mm
- ✓ For both 90° and 180° mounting situations
- ✓ Is easily installed between gate closer and post



### Order code

3018LION

A  
Lion



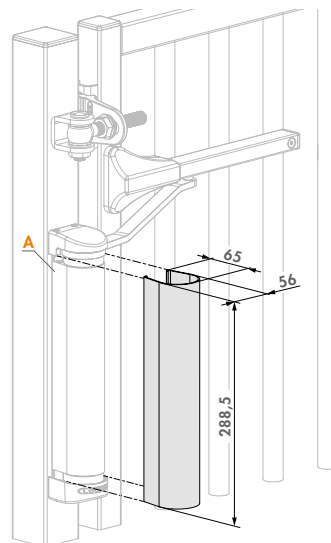
## Uncoated aluminium shell for Lion gate closer

SHELL-LION-

Match the colour of the Lion gate closer with the gate, or your company colours. The uncoated aluminium shell allows a powder coating in any colour possible. The aluminium shell replaces the anodized shell which comes with the Lion. Aesthetical finish guaranteed, no fixation bolts are visible after mounting.

### Specifications

- ✓ Shell must be powder coated to avoid corrosion
- ✓ Powder coating in any colour possible
- ✓ Replaces the shell delivered with Lion



### Order code

SHELL-LION-ALUM

A  
Lion



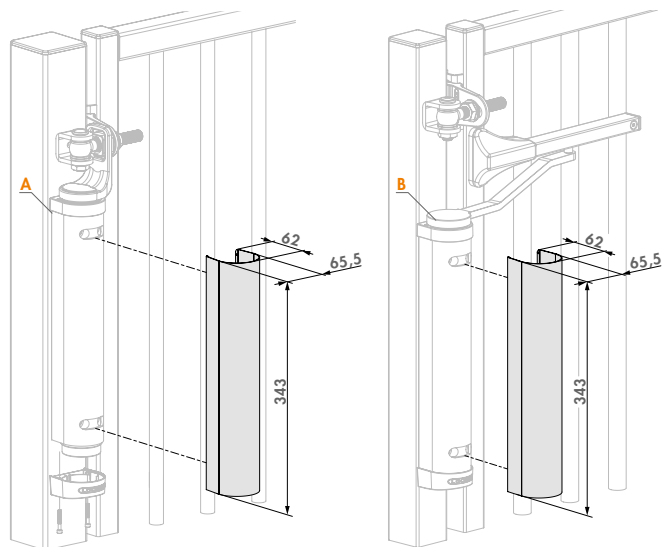
## Uncoated aluminium cover for the Rhino and Verticlose-2 gate closers

SHELL-RHINO-VTC-

Match the colour of the Rhino and Verticlose-2 gate closers with the gate, or your company colours. The uncoated aluminium shell allows a powder coating in any colour possible. The aluminium shell replaces the anodized shell which comes with the Lion or Verticlose-2. Aesthetical finish guaranteed, no fixation bolts are visible after mounting.

### Specifications

- ✓ Shell must be powder coated to avoid corrosion
- ✓ Powder coating in any colour possible
- ✓ Replaces the shell delivered with Rhino and Verticlose 2



**A**      **B**  
Rhino   Verticlose-2

### Order code

SHELL-RHINO-VTC-ALUM



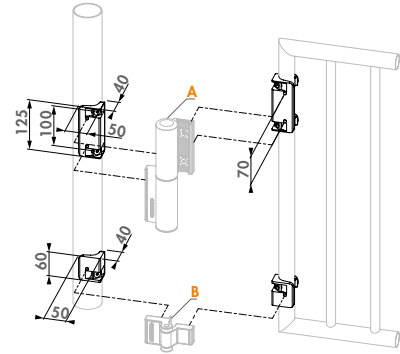
## Chain link bracket for Tiger gate closer

CLB-TIGER

High quality aluminium bracket for installation of Tiger gate closer on round chain link fences. The brackets are installed between gate closer and post. A perfect, firm and easy installation is guaranteed thanks to the drilling jig. The brackets for the Puma hinge are included.

### Specifications

- ✔ Aluminium anodized assembly brackets for Tiger on chain link fences
- ✔ Diameter post: 48 to 76 mm
- ✔ Diameter gate profile: 35 to 48 mm
- ✔ All fixations included
- ✔ Drilling jig included for easy installation
- ✔ Gap from 16 to 33 mm



### Order code

CLB-TIGER

A B  
Tiger Puma



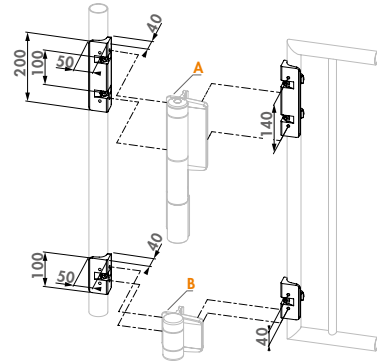
## Chain link bracket for Mammoth gate closer

CLB-MAMMOTH

High quality aluminium bracket for installation of Mammoth gate closer on round chain link fences. The brackets are installed between gate closer and post. A perfect, firm and easy installation is guaranteed thanks to the drilling jig. The brackets for the Dino hinge are included.

### Specifications

- ✔ Aluminium anodized assembly brackets for Mammoth on chain link fences
- ✔ Diameter post: 48 to 102 mm
- ✔ Diameter gate profile: 35 to 48 mm
- ✔ All fixations included
- ✔ Drilling jig included for easy installation
- ✔ Gap from 30 to 53 mm



### Order code

CLB-MAMMOTH

A B  
Mammoth-180 Dino



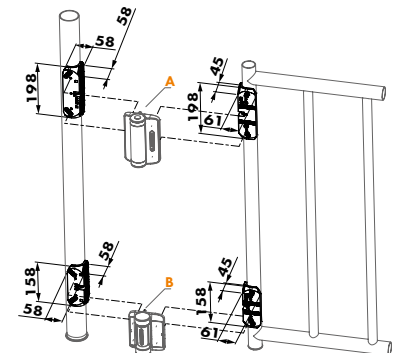
## Chain link bracket for Caracal gate closer

CLB-CARACAL

High quality engineered plastic bracket for installation of the Caracal gate closer on round chain link fences. The brackets are installed between the gate closer and the post. A perfect, firm and easy installation is guaranteed. The brackets for the Serval hinge are included.

### Specifications

- ✔ Engineered plastic brackets for Caracal on chain link fences
- ✔ Includes brackets for Serval hinge
- ✔ Diameter post: 48 to 76 mm
- ✔ Diameter gate profile: 35 to 48 mm
- ✔ All fixations included
- ✔ Gap from 30 to 50 mm



### Order code

CLB-CARACAL

A B  
Caracal Serval



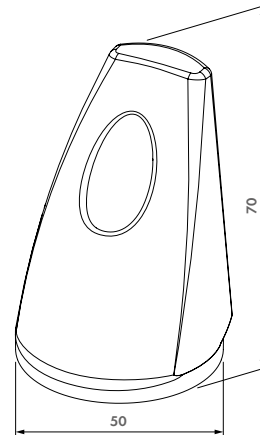
## Anti climb device to be mounted on top of the Serval spring hinge

NOSTEP

The NoStep is installed on top of the Serval spring hinge and avoids children to use Serval as a step to climb over the gate. Made out of Fiberglass reinforced PA, the NoStep matches perfectly with the Serval. Easy installation guaranteed.

### Specifications

- ✔ Made out of Fiberglass reinforced PA
- ✔ To be mounted on top of the Serval spring hinge



### Order code

NOSTEP

### Compatible with

Serval

## NEW Stainless steel accessory for gate closer installation on barred fencing

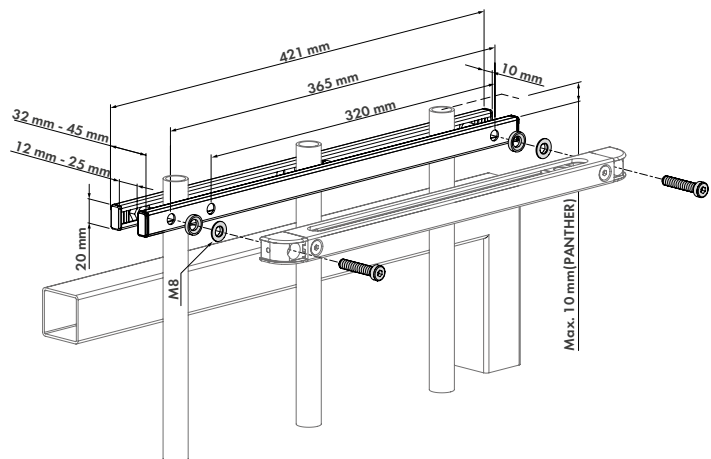
RAIL-FIT



Stainless steel accessory for installation of the gate closer rails on alternative fencing. The accessory can be clamped onto any bar to mount the rail of the Panther, Lion or Verticlose-2(-WALL) gate closer.

### Specifications

- ✔ Stainless steel with polyamide finish
- ✔ Compatible with Panther, Lion and Verticlose-2 gate closers



### Order code

RAIL-FIT

### Compatible with

Panther Lion Verticlose-2



## Triangular cylinder set for triangle keys

3012-POC-

Stainless steel symmetric Europrofile cylinder set with which you can equip each Locinox lock with a triangular key access control on cylinder level. Exchangeable with 54 mm or 60 mm cylinders. Available for the 11, 14 or 17 mm triangle key. Applications: waste management, access fire brigade, parking facilities,...

### Specifications

- ✓ Stainless steel triangular cylinder set
- ✓ Quick and easy retro-fitting assembly
- ✓ Can replace every 54-60 mm symmetric Europrofile cylinder

### Compatible triangle keys

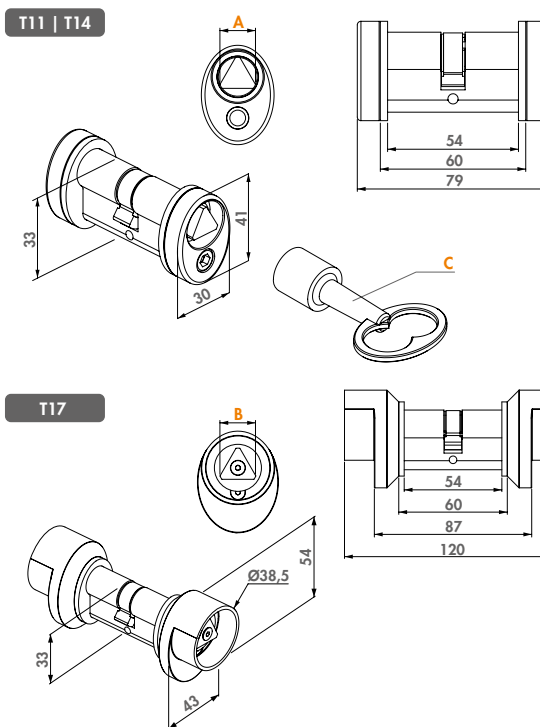


3071-T11  
P. 195

3071-T14  
P. 195

### Order codes

Triangle width	A	B	C
3012-POC-T11	11 mm		3071-T11
3012-POC-T14	14 mm		3071-T14
3012-POC-T17		17 mm	



## 46 mm cylinder

3012-46-STD

Symmetric Europrofile cylinder with three keys: 46 mm, keyed alike or keyed to differ.

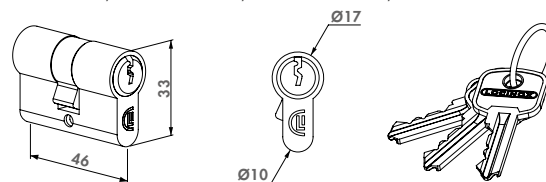


### Specifications

- ✓ 46 mm Europrofile cylinder with three keys
- ✓ VCA: keyed to differ
- ✓ GCA: keyed alike A
- ✓ GCB: keyed alike B
- ✓ GCC: keyed alike C
- ✓ GCD: keyed alike D

### Order codes

3012-46-STD-VCA	Symmetric 23 - 23 mm cylinder, keyed to differ
3012-46-STD-GCA	Symmetric 23 - 23 mm cylinder, keyed alike A
3012-46-STD-GCB	Symmetric 23 - 23 mm cylinder, keyed alike B
3012-46-STD-GCC	Symmetric 23 - 23 mm cylinder, keyed alike C
3012-46-STD-GCD	Symmetric 23 - 23 mm cylinder, keyed alike D



## 54 mm cylinder

3012-54-STD

Symmetric Europrofile cylinder with three keys: 54 mm, keyed alike or keyed to differ.

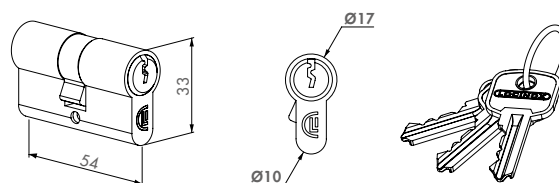


### Specifications

- ✓ VSZ: keyed to differ
- ✓ GSZ: keyed alike Z
- ✓ GSY: keyed alike Y
- ✓ GSX: keyed alike X
- ✓ GSZ: Only compatible with the 3012-54-STD-GSZ. GSZ cylinders in other lengths are not compatible with each other

### Order codes

3012-54-STD-VSZ	Symmetric 27 - 27 mm cylinder, keyed to differ
3012-54-STD-GSZ	Symmetric 27 - 27 mm cylinder, keyed alike Z
3012-54-STD-GSY	Symmetric 27 - 27 mm cylinder, keyed alike Y
3012-54-STD-GSX	Symmetric 27 - 27 mm cylinder, keyed alike X





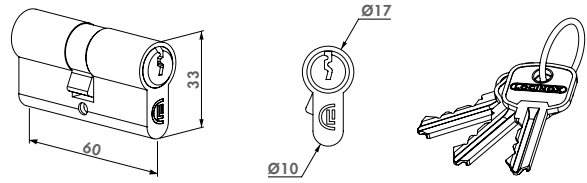
## 60 mm cylinder

3012-60-STD

Symmetric Europrofile cylinder with three keys: 60 mm, keyed alike or keyed to differ.

### Specifications

- ✔ 60 mm Europrofile cylinder with three keys
- ✔ GSZ: Only compatible with the 3012-54-STD-GSZ. GSZ cylinders in other lengths are not compatible with each other



### Order codes

**3012-60-STD-GSZ** Symmetric 30 - 30 mm cylinder, keyed alike

**3012-60-STD-VSZ** Symmetric 30 - 30 mm cylinder, keyed to differ



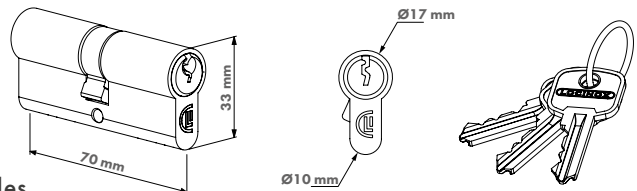
## **NEW** 70 mm cylinder

3012-70-STD

Symmetric Europrofile cylinder with three keys: 70 mm, keyed alike or keyed to differ.

### Specifications

- ✔ 70 mm Europrofile cylinder with three keys
- ✔ GSZ: Only compatible with the 3012-54-STD-GSZ. GSZ cylinders in other lengths are not compatible with each other



### Order codes

**3012-70-STD-GSZ** Symmetric 35 - 35 mm cylinder, keyed alike

**3012-70-STD-VSZ** Symmetric 35 - 35 mm cylinder, keyed to differ



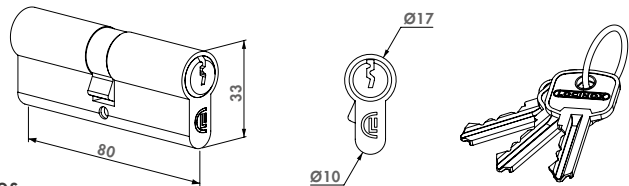
## 80 mm cylinder

3012-80-STD

Symmetric Europrofile cylinder with three keys: 80 mm, keyed alike or keyed to differ.

### Specifications

- ✔ 80 mm Europrofile cylinder with three keys
- ✔ GSZ: Only compatible with the 3012-54-STD-GSZ. GSZ cylinders in other lengths are not compatible with each other



### Order codes

**3012-80-STD-GSZ** Symmetric 40 - 40 mm cylinder, keyed alike

**3012-80-STD-VSZ** Symmetric 40 - 40 mm cylinder, keyed to differ





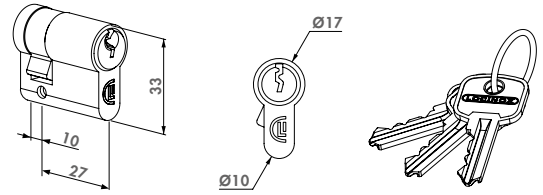
## 37 mm half cylinder

3012-37-STD

Asymmetric Europrofile cylinder 37 mm. Same keys as 3012-54-STD-GSZ. Used for Keydrop, Keysafe and Electradrop.

### Specifications

- ✓ 37 mm half cylinder with three keys
- ✓ One side key / one side blind
- ✓ Used with Keydrop, Electradrop and Keysafe
- ✓ GSZ: Only compatible with the 3012-54-STD-GSZ. GSZ cylinders in other lengths are not compatible with each other



### Order code

**3012-37-STD-GSZ** Asymmetric 10 - 27 mm cylinder, keyed alike Z



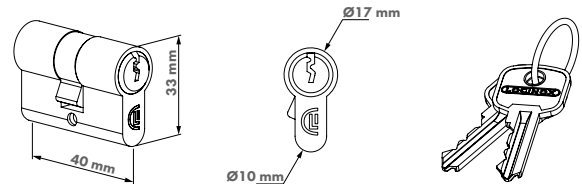
## 40 mm cylinder

3012-40-STD-VEA

Symmetric Europrofile cylinder with two keys: 40 mm, keyed to differ

### Specifications

- ✓ 40 mm Europrofile cylinder with two keys
- ✓ VEA: keyed to differ



### Order code

**3012-40-STD-VEA** Symmetric 20 - 20 mm cylinder, keyed to differ



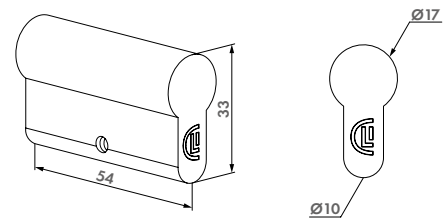
## 54 mm dummy cylinder

3012-54-DSA

Dummy cylinder Europrofile 54 mm. Prevents the lock from being locked down.

### Specifications

- ✓ Dummy cylinder disables deadbolt locking
- ✓ For panic gates in combination with the 3006PUSH and PUSHBAR



### Order code

**3012-54-DSA** Europrofile dummy cylinder 54 mm



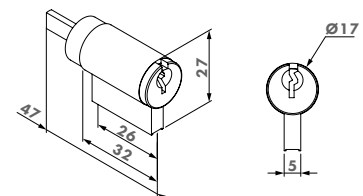
## Rekeyable KIK cylinder

KIK-114-

Rekeyable Key-In-Knob (KIK) cylinder set with 2 keys, provided as standard in our FortiMa poolatch. Available in keyed alike and keyed to differ.

### Specifications

- ✓ Schlage C-Keyway
- ✓ 5 Pins code (6 pins drilled - rekeyable)
- ✓ Satin Nickle Plated
- ✓ GMA cylinder is provided as standard in the FortiMa poolatch
- ✓ VMZ cylinder is available separately
- ✓ 2 keys included



### Order codes

**KIK-114-GMA** Keyed alike



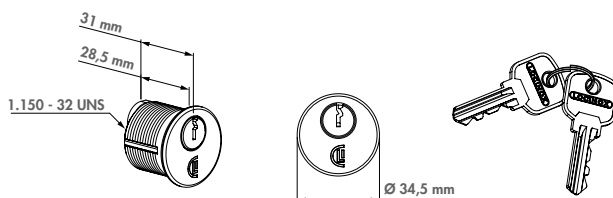
## Mortise cylinders set

MRT-118

Set with 2x Mortise cylinders and 4 keys. Fits our new LUKY lock. Cylinders available in keyed alike and keyed to differ.

### Specifications

- ✔ Length 1" 1/8 (28,5 mm)
- ✔ Adams Rite cam type 863A
- ✔ 5 Pins code (6 pins drilled – rekeyable)
- ✔ Satin Nickle Plated
- ✔ 1,150" x 32 UNS thread size
- ✔ 1,360" (34,5 mm) face diameter



### Order codes

- MRT-118-GMA** Keyed alike  
**MRT-118-VMZ** Keyed to differ



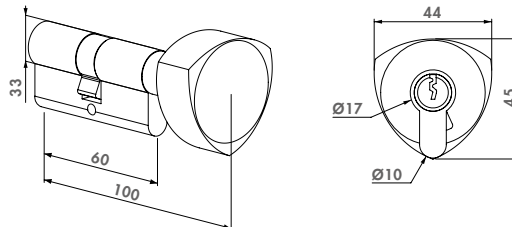
## 60 mm knob cylinder

3012-60-KNOB

Symmetric Europrofile cylinder with three keys and knob-turn on one side. Used when a free exit is required on one side.

### Specifications

- ✔ 60 mm Europrofile cylinder with three keys
- ✔ One side key / one side knob
- ✔ Free entrance on one side



### Order codes

- 3012-60-KNOB-GSZ** Symmetric 30 - 30 mm knob cylinder, keyed alike  
**3012-60-KNOB-VSZ** Symmetric 30 - 30 mm knob cylinder, keyed to differ



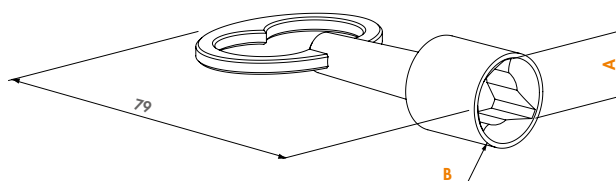
## Triangle key

3071-

Compatible with a lock that is equipped with an 11 mm or 14 mm triangle instead of a handle.

### Specifications

- ✔ Compatible with 3012-POC-T11 / 3012-POC-T14 / 3006T11
- ✔ Zinc-plated



### Order codes

Triangle width	A	B
<b>3071-T11</b>	11 mm	Ø15,5
<b>3071-T14</b>	14 mm	Ø20



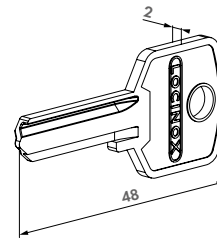
### Blank key 46 mm

3070-46

Key blank that allows you to reproduce copies

#### Specifications

- ✔ Blank key for cylinder 46 mm
- ✔ For reproducing cylinder keys for 3012-46-STD



#### Order code

**3070-46** Blank key for reproducing 46 mm cylinders



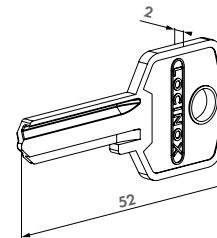
### Blank key 54 mm

3070-54

Key blank that allows you to reproduce copies

#### Specifications

- ✔ Blank key for cylinder 54 mm
- ✔ For reproducing cylinder keys for 3012-37-STD and 3012-54-STD



#### Order code

**3070-54** Blank key for reproducing 54 mm cylinders



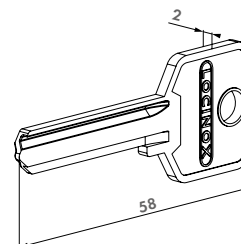
### Blank key for cylinders 60 mm

3070-60

Key blank that allows you to reproduce copies.

#### Specifications

- ✔ Blank key for 60 mm cylinders
- ✔ For reproducing cylinder keys for 3012-60-STD



#### Order code

**3070-60** Blank key for cylinders 60 mm



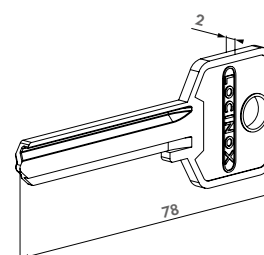
### Blank key for cylinders 80 mm

3070-80

Key blank that allows you to reproduce copies.

#### Specifications

- ✔ Blank key for 80 mm cylinders
- ✔ For reproducing cylinder keys for 3012-80-STD



#### Order code

**3070-80** Blank key for cylinders 80 mm



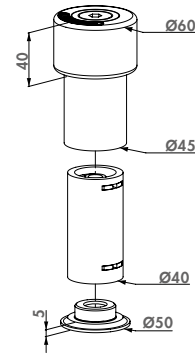
## Gatestop with rubber

### GATESTOP

Aluminium gatestop. The rubber stop prevents the gate from being damaged. Height adjustability from 100 mm till 140 mm. Can also be used as a wall stop. Including anchor bolt.

#### Specifications

- ✔ Fast and easy fixing
- ✔ Height adjustable: min 100 mm till 140 mm
- ✔ Aluminium body with rubber stop
- ✔ Included anchor bolt M12 for concrete fixing



#### Order code

GATESTOP

Including anchor bolt



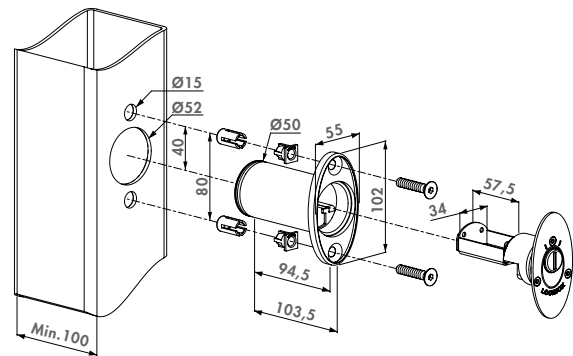
## Keysafe Quick-Fix

### KEYSAFE QF

Stainless steel Keysafe. Supplied with Quick-Fix to mount inside metal profiles. Used for a safe storage of your spare gate lock keys.

#### Specifications

- ✔ Keysafe with Europrofile cylinder
- ✔ For safe storage of your gate lock keys
- ✔ Rust-resisting frontcover
- ✔ Stainless steel cylinder cover
- ✔ Aluminium housing
- ✔ Fast and easy fixing with Quick-Fix



#### Order code

KEYSAFE QF

Including 3012-37-STD-GSZ



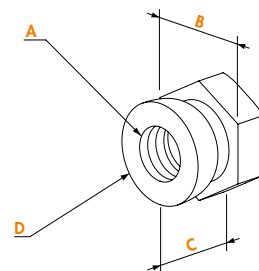
## Security nuts

### SECUNUT

Stainless steel anti-theft nuts for security applications.

#### Specifications

- ✔ Stainless steel security nuts for anti-theft applications
- ✔ Available in M6, M8 and M10



#### Order codes

SECUNUT-M6

SECUNUT-M8

SECUNUT-M10

	A	B	C	D
M6	10	9,5	Ø9,3	
M8	13	11	Ø12,7	
M10	17	15	Ø16,3	



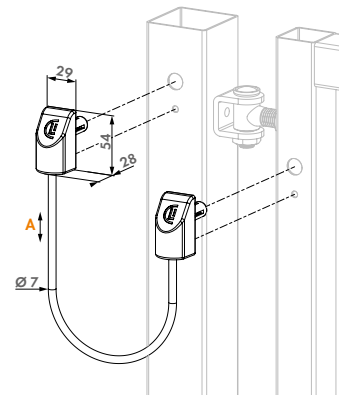
### Stainless steel safety cable for gates up to 500 kg

U-SAFE

The U-Safe gate safety cable avoids the gate to fall in case of hinge failure. Thanks to the patented Quick-Fix fixation system, the U-Safe is easily yet firmly fixed into the post.

#### Specifications

- ✔ Stainless steel cable rated at 1500 kg in case of hinge failure
- ✔ 300 mm long, 5mm thick with 1 mm thick protective transparent sleeve
- ✔ Firmly fixed thanks to patented Quick-Fix system
- ✔ In accordance with EN 12604
- ✔ For gates up to 500 kg
- ✔ Easy installation guaranteed



#### Order code

U-SAFE

A

Length 300 mm



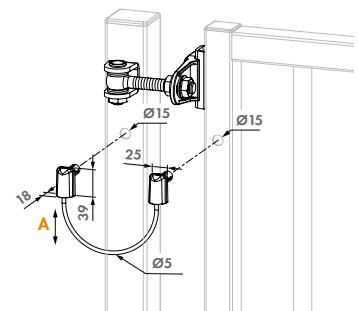
### Stainless steel safety cable for gates up to 500 kg

B-SAFE

The B-Safe gate safety cable avoids the gate to fall in case of hinge failure. Thanks to the patented Quick-Fix fixation system, the B-Safe is easily yet firmly fixed into the post. The B-Safe cable is rated up to 1000 kg and prevents gates up to 500 kg from falling in case both hinges might fail. B-Safe has been developed to secure a gate in accordance with EN 12604.

#### Specifications

- ✔ Cable length 220 mm long, 4mm thick with 1 mm thick protective transparent sleeve
- ✔ Firmly fixed thanks to patented Quick-Fix system
- ✔ In accordance with EN 12604
- ✔ For gates up to 500 kg
- ✔ Easy installation guaranteed



#### Order code

B-SAFE

A

Length 220 mm



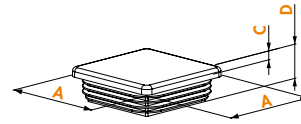
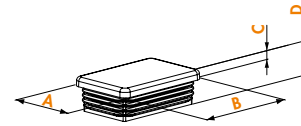
## Post plug

TC

Polypropylene post plugs.

### Specifications

- ✔ Polypropylene post plug for square profiles
- ✔ Available in RAL6005 and RAL9005



### Order codes

For square profiles	For rectangular profiles	A	B	C	D
<b>TC-4040</b>		40	5	19,4	
<b>TC-5050</b>		50	5	19,4	
<b>TC-6060</b>		60	5	19,4	
	<b>TC-4060</b>	40	60	5	19,4



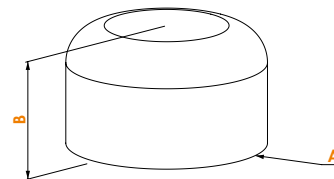
## Post caps

TCR

Polypropylene post caps.

### Specifications

- ✔ Polypropylene post cap for round profiles
- ✔ Available in RAL6005 and RAL9005



### Order codes

For round profiles	A	B
<b>TCR-42</b>	Ø45	29,5
<b>TCR-48</b>	Ø51	30
<b>TCR-60</b>	Ø63	38



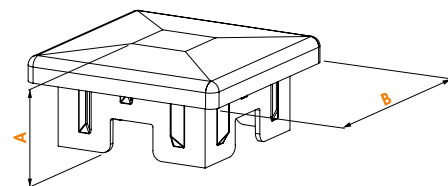
## Square post cap

TCO-STD

Polypropylene post cap. Protects the upper borders of the posts.

### Specifications

- ✔ Polypropylene square post cap for 60x60 mm, 80x80 mm and 100x100 mm
- ✔ Protects upper borders of posts



### Order codes

For square profiles	A	B
<b>TCO-STD-6060</b>	41	67,5
<b>TCO-STD-8080</b>	41	89
<b>TCO-STD-100100</b>	47	110



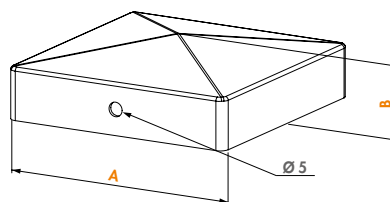
## Post cap to screw on

TCO-SCR

Hot-dip galvanized post caps with screw hole. Perfect to protect and finish your posts. Applications: wood, aluminium or metal.

### Specifications

- ✔ Hot-dip galvanized post caps to screw on



### Order codes

For square profiles

	A	B
TCO-SCR-HDG-4040	43	22
TCO-SCR-HDG-5050	53	23
TCO-SCR-HDG-6060	63	24
TCO-SCR-HDG-8080	83	25
TCO-SCR-HDG-100100	103	27
TCO-SCR-HDG-120120	123	29



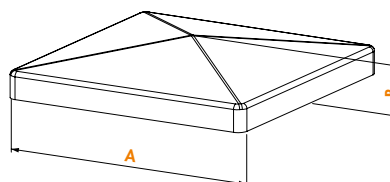
## Post caps to weld on

TCO-WLD

Post caps to weld on in black steel or zinc plated. Perfect to protect and finish your posts. Applications: metal.

### Specifications

- ✔ Post caps in black steel or zinc plated



### Order codes

Black steel post caps	Zinc-plated post caps	A	B
TCO-WLD-B-4040	TCO-WLD-Z-4040	43,5	12
TCO-WLD-B-5050	TCO-WLD-Z-5050	53,5	13
TCO-WLD-B-6060	TCO-WLD-Z-6060	63,5	14
TCO-WLD-B-8080	TCO-WLD-Z-8080	83,5	16
TCO-WLD-B-100100	TCO-WLD-Z-100100	103,5	18
TCO-WLD-B-120120	TCO-WLD-Z-120120	123,5	19,5





## Security strip to weld on

PKWB2000-

Security strips in black steel to weld on. Packed per 20 pieces of 2 meter.

### Specifications

- ✔ Black steel for welding
- ✔ Fixing: to weld on
- ✔ Profile: 33,5 x 3 mm
- ✔ Length: 2000 mm
- ✔ Packed in tubes per 20 pcs of 2000 mm

### Order codes

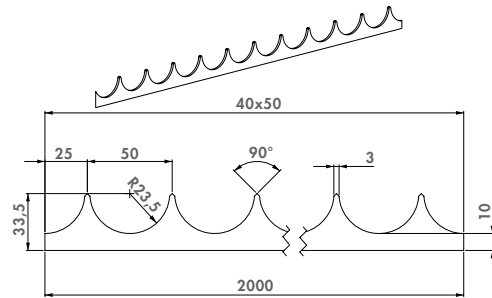
PKWB2000

PKWB2000-20

PKWB2000-100

PKWB2000-500

PKWB2000-1000



Security strips to weld on, packed in 1 tube of 20 pieces

Security strips to weld on, packed in 5 tubes of 20 pieces

Security strips to weld on, packed in 25 tubes of 20 pieces

Security strips to weld on, packed in 50 tubes of 20 pieces



## Security strip to screw on

PKSG2000-

Hot-dip galvanized L-security strips to screw on. Packed per 10 pieces of 2 meter.

### Specifications

- ✔ Hot-dip galvanized toothed L-profile
- ✔ Fixing: screw on
- ✔ Profile: 36,5 x 25 x 3 mm
- ✔ Length: 2000 mm
- ✔ Easy to retrofit
- ✔ Packed in tubes per 10 pcs of 2000 mm

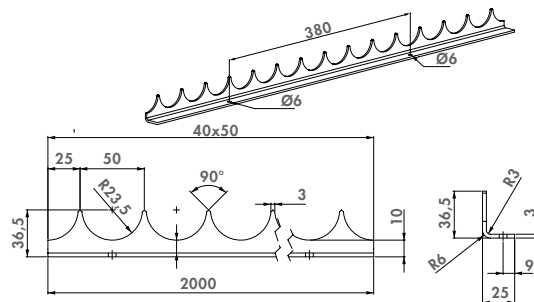
### Order codes

PKSG2000

PKSG2000-10

PKSG2000-50

PKSG2000-250



Security strips to screw on, packed in 1 tube of 10 pieces

Security strips to screw on, packed in 5 tubes of 10 pieces

Security strips to screw on, packed in 25 tubes of 10 pieces



## Electrogalvanized security strips to weld on

PKWB2000-EP-

Electrogalvanized security strips to weld on. Packed per 20 pieces of 2 meter.

### Specifications

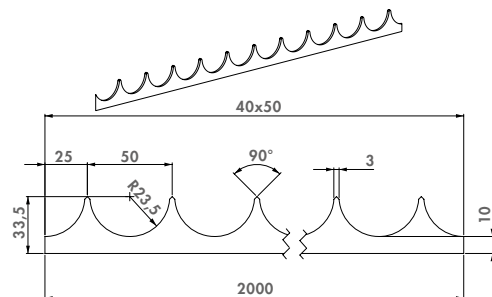
- ✔ Fixing: to weld on
- ✔ Profile: 33,5x3 mm
- ✔ Length: 2000 mm
- ✔ Packed in tubes per 20 pcs of 2000 mm

### Order codes

PKWB2000-EP

PKWB2000-EP-20

PKWB2000-EP-100



Electrogalvanized security strips to weld on, packed in 1 tube of 20 pieces

Electrogalvanized security strips to weld on, packed in 5 tubes of 20 pieces



ORTIMA

...E E...  
...E...  
...E...

- PERSONE
- PERSONE
- PERSONE
- PERSONE



**CONTAINS EXTREMELY  
INNOVATIVE PRODUCTS**

**LOCINOX**

Let's make it better together

LOCINOX



# SALES SUPPORT TOOLS

Convince your clients of the Locinox quality. We developed several gate displays and demo cases of our best selling products. Every featured Locinox product is full-scale and functioning just like in real-life.

These handy sales support tools perfectly claim what Locinox is standing for: exceptional quality, good value, extreme durability, user friendly comfort, easy installation, and much more. Let the lightweight gate displays and complete demo cases be your closest ally during sales visits or showcase them in your showroom. They will be an eyecatcher and make your sales talks much easier, believe us.





## Gate closer display with 5 different gate closers

### PS-GATECLOSERS

Real-scale gate closer gate display with Tiger, Mammoth, Samson-2, Lion and Verticlose-2 gate closers. This display is an excellent sales tool to showcase the quality solutions for your showroom, events and trade fairs.

#### Specifications

- ✔ Includes gate with Tiger gate closer, Fortylock insert lock, Puma hinge and SFKI keep
- ✔ Includes gate with Mammoth gate closer, SlimStone keypad, Modulec-SA keep, LAKQ lock and Dino hinge
- ✔ Includes gate with Samson-2 gate closer, Valentino (LOKQ) lock, Shield, SHKL keep and BoltonHD-4D hinge
- ✔ Includes gate with Lion gate closer, LAKZ lock, SMKL keep and Bolton-HD-4D hinge
- ✔ Includes gate with Verticlose-2 gate closer, LDKZ lock, SAKL keep and G90Z hinge

#### Order code

##### PS-GATECLOSERS

Full scale display with 5 gate closers and gate hardware

#### Gate closers



MAMMOTH-180  
P. 14



TIGER  
P. 13



LION  
P. 20



VERTICLOSE-2  
P. 22



SAMSON-2  
P. 18

#### Access Control



SLIMSTONE-2-  
P. 31



LOKQ Y2  
P. 65



MODULEC-SA  
P. 98

#### Gate Hardware



FORTYLOCK  
P. 82



LAKQ U2  
P. 59



LDKZ D1  
P. 62



LAKZ P1  
P. 74



## Gate display with Lion gate closer, industrial lock and 90° hinge

PS-LION-

Aluminium gate display featuring the Lion hydraulic gate closer with a hot-dip galvanized 90° hinge, an industrial lock and a stainless steel keep.

### Specifications

- ✔ High quality and lightweight aluminium display
- ✔ Information panel in 4 languages

### Order code

**PS-LION-** Gate display with Lion gate closer, industrial lock and 90° hinge



## Gate display with Tiger gate closer and industrial lock

PS-TIGER-

Aluminium gate display featuring the Tiger hydraulic gate closer with the industrial lock and stainless steel keep.

### Specifications

- ✔ High quality and lightweight aluminium display
- ✔ Information panel in 4 languages

### Order code

**PS-TIGER-** Gate display with Tiger gate closer and industrial lock



## Gate display with Rhino gate closer, industrial lock and BoltonHD-4D hinge

PS-RHINO-

Aluminium gate display featuring the Rhino hydraulic gate closer with the screwable 180° BoltonHD-4D hinge, an industrial lock and a stainless steel keep.

### Specifications

- ✔ High quality and lightweight aluminium display
- ✔ Information panel in 4 languages

### Order code

**PS-RHINO-** Gate display with Rhino gate closer, industrial lock and BoltonHD-4D hinge



## DAB+ radio with aux jack

RADIO

Portable rechargeable DAB+ radio. Shock- and waterproof. A nice gadget for your fencing installers.

### Specifications

- ✔ Shock- and waterproof
- ✔ Power: 10 Watt
- ✔ AUX-jack
- ✔ Rechargeable batteries included

### Order code

**RADIO** Portable site radio with rechargeable batteries included

# Table of contents

3DM	135	3970LA	162
3DW	139	3970LS	162
4DFIX-I	127	6403	186
4DFIX-I-12	127	ABK	158
4DW	139	ABL	158
1001U	126	AC-TRANS-12V-25W	47
1002B	133	BAR-A	173
1002M	126	BAR-I	173
1004ORNA	133	BEARING HINGE	136
1005WP	134	B-MAG	33
1034A2-	123	BOLTONHD-4D-	117
1034HDGA-	122	BOLTONHD-G-	116
1034ROLL-HDG-	123	BOLTON-P-	116
1036	131	BOLTON-U-	116
1039SET	130	B-SAFE	198
1040HDSM16-	145	CARACAL	24
1040TPS-M12-	145	CGS	153
1041-01	144	CLB-CARACAL	190
1127	131	CLB-MAMMOTH	190
2005	47	CLB-TIGER	190
3006A-2	178	CLH-	187
3006B	179	DC-ACCESS-12V-20W	48
3006B-H	181	DC-POWVER-12V-20W	48
3006C	179	DC-POWVER-24V-25W	48
3006D	180	DINO	136
3006D-H	181	DRILL-FIX	163
3006FA	178	DRILLØ15	162
3006FIX-	171	DURA	144
3006G	180	DVK	46
3006HOLD	172	DVK-HD	47
3006I	180	EGS	153
3006I-H	181	EIGHTYLOCK	85
3006j	179	ELECTRADROP	148
3006j-H	181	ELECTRADROP-R	149
3006KR	171	EXCENTRO-	115
3006M	179	FIFTYLOCK	83
3006M-2	178	FIFTYSET	89
3006M-H	181	FORTIMA-	76
3006P	180	FORTYLOCK	82
3006PAD	172	FORTYSET	89
3006PC	101	G90LR	129
3006PULL	174	G90WP	130
3006PUSH	174	G90Z	129
3006R	180	GAM12	144
3006R-2	178	GATESTOP	197
3006S	179	GATESWITCH	49
3006T11	174	GBM12	141
3012-37-STD	194	GBM12-DP	141
3012-40-STD-VEA	194	GBM16	142
3012-46-STD	192	GBM16-DP	142
3012-54-DSA	194	GBMU4D12	119
3012-54-STD	192	GBMU4D16	119
3012-60-KNOB	195	GBMU4D20	120
3012-60-STD	193	GBMU4DSHIELD	120
3012-70-STD	193	GBMU	122
3012-80-STD	193	G-ORNA-LR	132
3012-POC-	192	G-ORNA-WP	132
3018LA	186	GRIP12	128
3018LION	188	GRIP16	128
3018MOD-	183	GRIP16-L	128
3019LA	186	GRIP20	128
3020-HYB	90	GUARDIMA-	77
3025-HYB-	90	H-COMPACT	87
3025-HYB-BLIND-ALU	91	H-METAL	86
3070-46	196	H-METAL-SET	86
3070-54	196	H-METAL-WB	87
3070-60	196	HWKB	110
3070-80	196	HWLB	91
3071-	195	H-WOOD	93

H-WOOD-SET	93	ROLLTOP	166
IGC	159	SABO	154
INTERIO-GROUND-9005	17	SAKL QF	99
INTERIO	16	SAMSON-2	18
INTERIO-WALL-9005	17	SB-	187
INTRALEC-	109	SECUNUT	197
KEYDROP	151	SEH	97
KEYSAFE QF	197	SE	97
KIDLOC-2	178	SERVAL	25
KIDLOC	171	SF-	101
KIK-114-	194	SFKB	106
KLAUW-	127	SFKI	107
KLAUW12	126	SFKM	108
LAKQ H2	73	SFKO	107
LAKQ U2	59	SFKP	106
LAKQ U3	60	SFKU	108
LAKY F2	72	SHELL-LION-	188
LAKZ P1	74	SHELL-RHINO-VTC-	189
LAKZ P1 VSI	75	SHIELD-	182
LDKZ D1	62	SHIELDLINE-	182
LEKQ U4	69	SHKC	110
LFKQ X1	67	SHKL QF	99
LGKZ D1	81	SHKM	111
LIKQ U2	71	SHKW	111
LION	20	SHROUD-LA-	185
LION-VTC-DRILL	165	SHROUD-LF-	185
LLKZ V2	79	SHROUD-LO-	184
LMKQ V2	66	SHROUD-SA-	185
LOCITOO L A	166	SIXTYLOCK	84
LOCK.GUIDE-	183	SIXTYSET	89
LOKQ Y2	65	SKRZ	100
LPKQ U2	63	SLIMSTONE-2-	31
LR	134	SLIMSTONE-X-	30
LSKZ U2	80	S-MAG-	37
LUKY J5	61	SMKL QF	100
MAG-	39	SPKZ QF	102
MAGMAG-	40	SPKZ-TK	102
MAGUNIT-2500	34	SSKZ QF	103
MAMMOTH-180	14	STK QF	104
MAMMOTH-HD	15	STR60 QF	104
MODULEC-SA	98	SUBY	152
MODULEC-SF-	109	SWING40	140
MODULEC-SH	98	SWITCHSTONE-STD-	31
MRT-118	195	TC	199
N-LINE-B-MAG-	35	TCO-SCR	200
N-LINE-B-MAG-KIT-	36	TCO-STD	199
N-LINE MAG-	41	TCO-WLD	200
N-LINE MAG KIT-3000	43	TCR	199
N-LINE-S-MAG-	35	TIGERDRILL	164
NOSEHINGE-I	137	TIGER	13
NOSTEP	191	TRICONE	45
OGS	154	TT-BM3S	53
O-SET	103	TT-BSP	53
PANICBAR	176	TT-CL2	53
PANTHER	19	TT-DM3	53
PB-1	46	TT-FC2	54
PKSG2000-	201	TT-FO2	54
PKVWB2000-	201	TT-MM3S	54
PKVWB2000-EP-	201	TT-PIVOT	54
POWERSTONE-	48	TT-SAH	54
PS-GATECLOSERS	204	TT-SDM4	53
PS-LION-	205	TT-SM4S	53
PS-RHINO-	205	TURNITEC	52
PS-TIGER-	205	TWIST40	78
PUMA	140	UGC	159
PUSHBAR-H-	175	U-SAFE	198
PUSHBAR-L-	175	VENUS-ARM-G-	30
QUICK-FIX	167	VENUS-ARM-S-	30
RADIO	205	VERTICLOSE-2	22
RAIL-FIT	191	VERTICLOSE-2-WALL	23
RHINODRILL	164	VSA / VSF	150
RHINO	21	WALL-FIX	167

LOCK

**L**

**CHASSIS**

**A/P** **E/I** **M** **D** **F** **O**

**PROFILE**

**K** **R** **P**

**ADJUSTABILITY**

**Y** **Q** **Z**

+ 10 mm      + 20 mm      No adjustability

**DIMENSIONS**

**1010** 10 mm Not for LE

**3030** 30 mm

**4040** 40 mm

**5050** 50 mm Only for Y, Z-mechanism

**6060** 60 mm

**8080** 80 mm

**100100** 100 mm

**LOCK BOX**

**U2L** Industrial lock box 54 mm cylinder For mechanism Q

**U3L** Industrial lock box Ø 22 mm KABA-KESO cylinder For mechanism Q

**V2L** Code lock box 54 mm cylinder For mechanism Q

**X1L** Code lock box For mechanism Q

**Y2L** Code lock box For mechanism Q

**LOCK BOX**

**F2L** Small ornamental lock box 46 mm cylinder For mechanism Y

**H2L** Large ornamental lock box 54 mm cylinder For mechanism Q

**P1L** Polyamide lock box 46 mm cylinder For mechanism Z

**D1L** Double cylinder lock box 54 mm cylinder Special mechanism Z

**J5L** Industrial USA lock box Mortise cylinder For mechanism Y

**COLOURS**

**ZILV** SILVER

**6005** MOSS GREEN

**6009** FIR GREEN

**7016** ANTHRACITE

**7040** WINDOW GREY

**9005** JET BLACK

**9010** PURE WHITE

**CYLINDERS**

**VSZ** Keyed to differ

**GSZ** Keyed alike Z

**GSY** Keyed alike Y

**GSX** Keyed alike X

**DSA** Dummy cylinder

**VCA** Keyed to differ

**GCA** Keyed alike A

**GCB** Keyed alike B

**GCC** Keyed alike C

**GCD** Keyed alike D

**T14** For 14 mm triangle keys

**ZCZ** No cylinder keys

54 mm      46 mm      54 - 60 mm

**HANDLES**

**M** Aluminium

**D** Aluminium

**B** Black anodized aluminium

**R** Aluminium round

**J** Aluminium

**I** Stainless steel

**FA** Ornamental zamac - black

**A-2** Anti-panic handle

**HANDLES**

**P** Polyamide

**G** Polyamide

**C** Aluminium club

**PUSH** Aluminium Push pad

**KR** Aluminium round kit pair

**R2** Aluminium round half-handle

**KIDLOC-2** Security knob

**WSI** Security knob

**PUSHBAR** Aluminium push bar

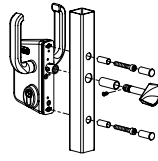
# CODEBUILDER FOR SLIDING GATES LS - LL - LG

LOCK

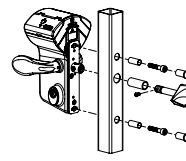
**L**

CHASSIS

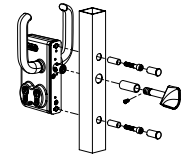
**S**



**L**



**G**

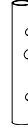


PROFILE

**K**



**R**



ADJUSTABILITY

**Z**



No adjustability

DIMENSIONS

**4040**

• 40 mm

**5050**

• 50 mm

**6060**

• 60 mm

**8080**

• 80 mm

**100100**

• 100 mm

**120120**

• 120 mm

LOCKBOX

**U2L**



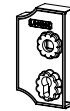
• Industrial lockbox  
• 54 mm cylinder

**D1L**



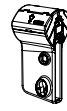
• Double cylinder lockbox  
• 54 mm cylinder  
• Special Z-mechanism

**H2L**



• Ornamental lockbox  
• 54 mm cylinder

**V2L**



• Code lockbox  
• 54 mm cylinder

COLOURS

**6005**



MOSS GREEN

**6009**



FIR GREEN

**9005**



JET BLACK

**9010**



PURE WHITE

**7016**



ANTHRACITE

**Z1LV**



SILVER

CYLINDERS

**VSZ**

Keyed to differ

**GSZ**

Keyed alike Z

**GSY**

Keyed alike Y

**GSX**

Keyed alike X

**DSA**

Dummy cylinder

**T14**

For 14 mm triangle keys

**ZCZ**

No cylinder

54 mm

54 - 60 mm

HANDLES

**S**



Aluminium reinforced

**Z**

No handles

DISCOVER MORE



**LOCINOX HQ**

Mannebeekstraat 21  
8790 Waregem – Belgium



T. +32 (0)56 77 27 66

**LOCINOX CEE**

Irysowa 9  
55-040 Bielany Wrocławskie – Poland



T. +48 (0)71 758 21 00



[info@locinox.com](mailto:info@locinox.com)



[www.locinox.com](http://www.locinox.com)



5 414768 120880